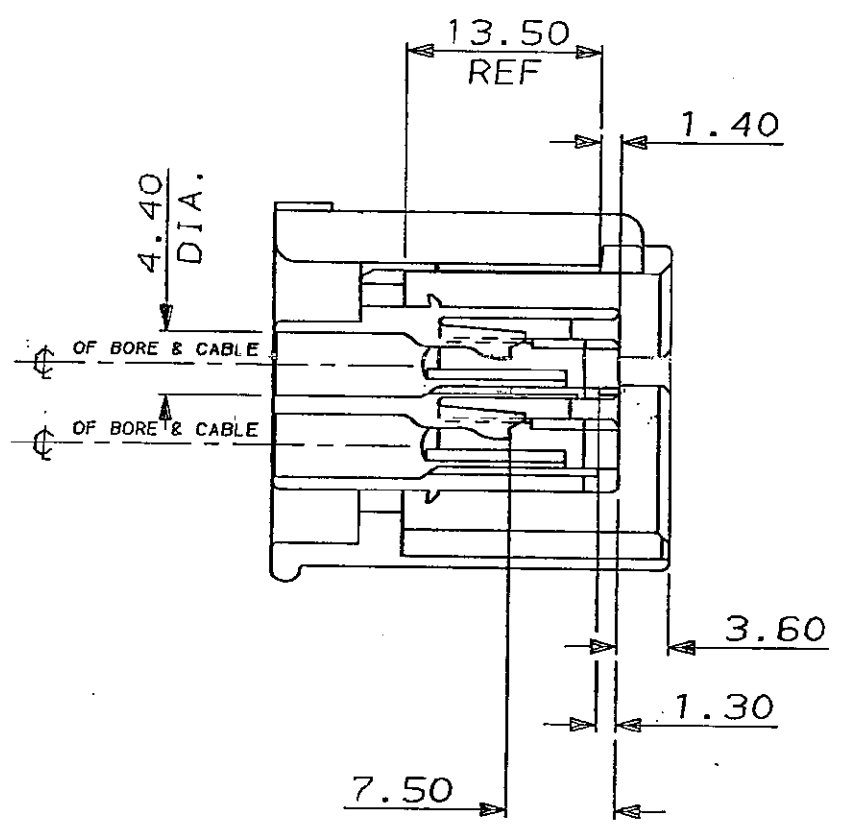
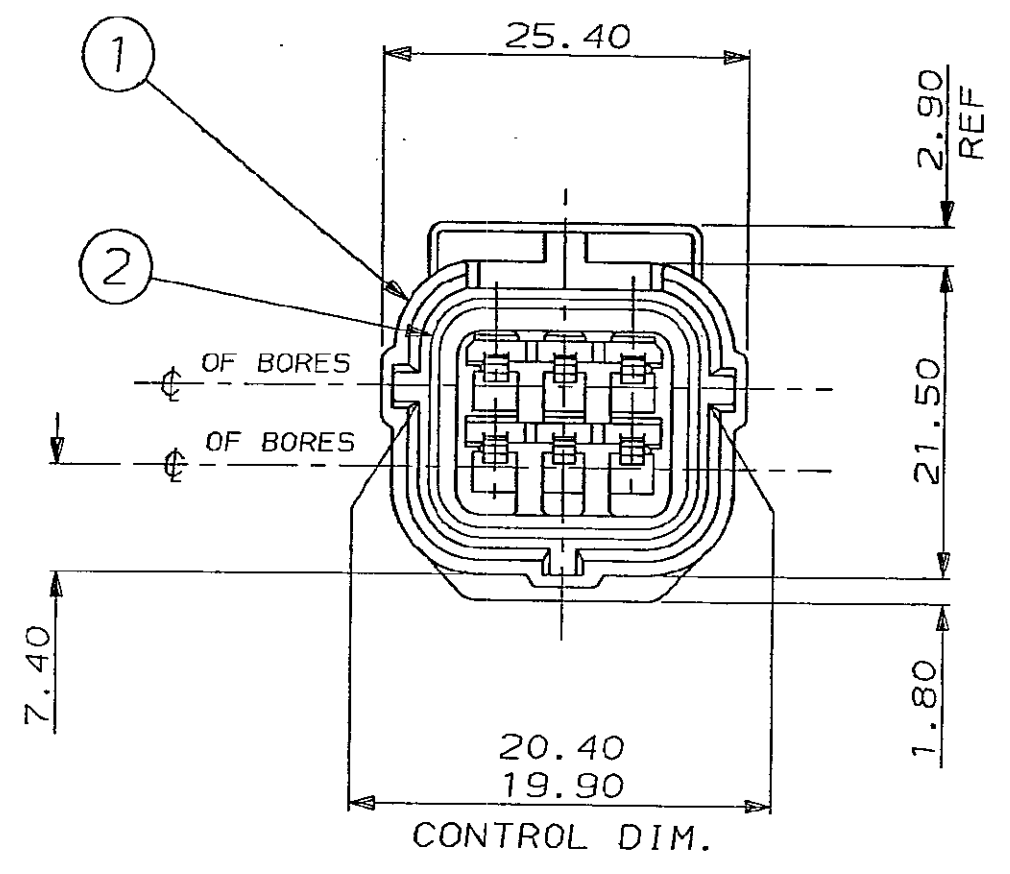
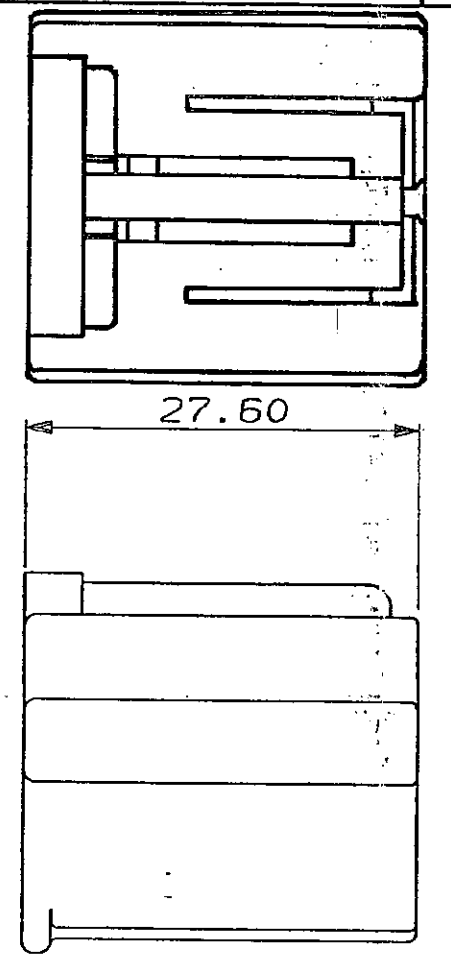
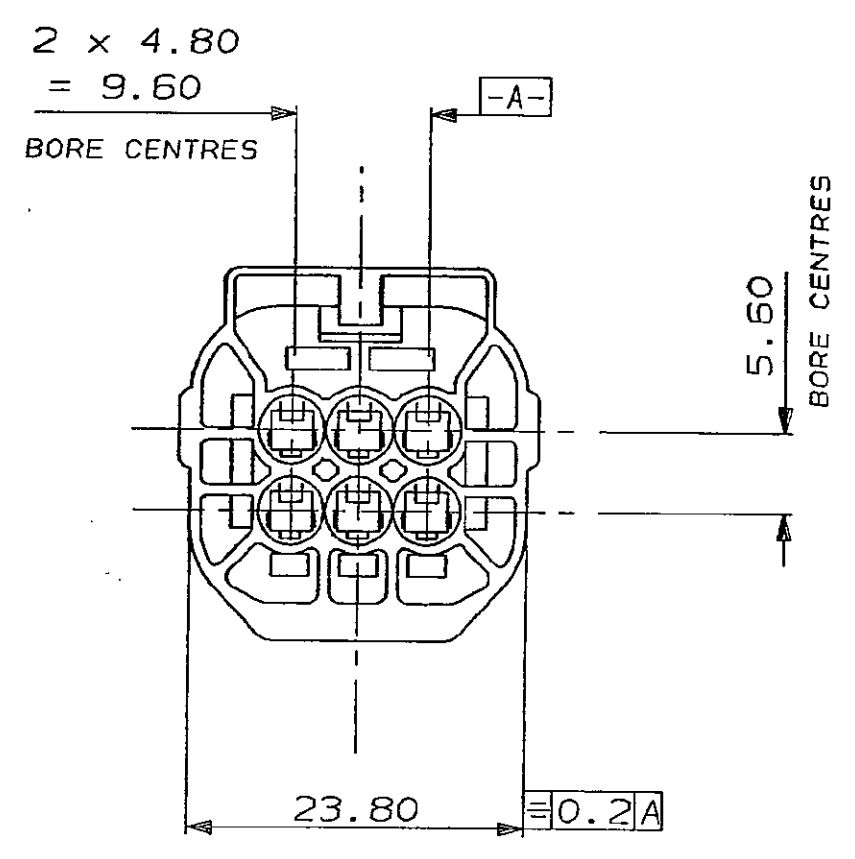


C.A.D. FILE CODE
S. C344267

DO NOT SCALE DIMENSIONS IN MM.



SCRAP VIEW (SEAL NOT SHOWN)

ITEM No.	MATERIAL	PT. NO. OR COLOUR	DESCRIPTION	QTY. PER ASSY.	ASSEMBLY PART No.
2	NITRILE RUBBER	GREY	PERIPHERAL SEAL	1	1-344267-4
1	NYLON 66	344266-4	6 WAY REC. HSG.	1	WHITE
2	NITRILE RUBBER	GREY	PERIPHERAL SEAL	1	1-344267-3
1	NYLON 66	344266-3	6 WAY REC. HSG.	1	BLUE
2	NITRILE RUBBER	GREY	PERIPHERAL SEAL	1	1-344267-2
1	NYLON 66	344266-2	6 WAY REC. HSG.	1	RED
2	NITRILE RUBBER	GREY	PERIPHERAL SEAL	1	1-344267-1
1	NYLON 66	344266-1	6 WAY REC. HSG.	1	BLACK
2	SILICONE RUBBER	ORANGE	PERIPHERAL SEAL	1	344267-4
1	NYLON 66	344266-4	6 WAY REC. HSG.	1	WHITE
2	SILICONE RUBBER	ORANGE	PERIPHERAL SEAL	1	344267-3
1	NYLON 66	344266-3	6 WAY REC. HSG.	1	BLUE
2	SILICONE RUBBER	ORANGE	PERIPHERAL SEAL	1	344267-2
1	NYLON 66	344266-2	6 WAY REC. HSG.	1	RED
2	SILICONE RUBBER	ORANGE	PERIPHERAL SEAL	1	344267-1
1	NYLON 66	344266-1	6 WAY REC. HSG.	1	BLACK

CUSTOMER DWG FOR REFERENCE ONLY				TOLERANCES UNLESS OTHERWISE STATED DEC ± 0.5 ANGLES ± 1°		DR. R. J. S. 5.11.87	
F	VIEW ADDED	EB00-0230-93	15-6-93	EB00-0002-95	4.1.95	APP. B. J.	5.11.87
E	ADDED 1-344267-1, 2, 3 & 4	EB00-0240-94	9.5.94	C5359	2.10.89	TERMINAL HOUSE STANMORE MIDDX.	
D	PER. SEAL MOD.	C5241	11.5.89	C5014	29.7.88	NAME 6 WAY REC. HSG. ASSY. ECONOSEAL 3 LOW CURRENT	
C	CON. DIM. WAS 20.15/19.95 ADDED -2 TO -4.	C4896	15.5.88	SCALE	LOC	SIZE	DWG. No.
B	UPDATED	2/1	E	A2	C344267	REV	SHEET
A	UPDATED					F	1/1
O	REL. FOR PROD.						
REV	MODIFICATION	ECN	DATE				