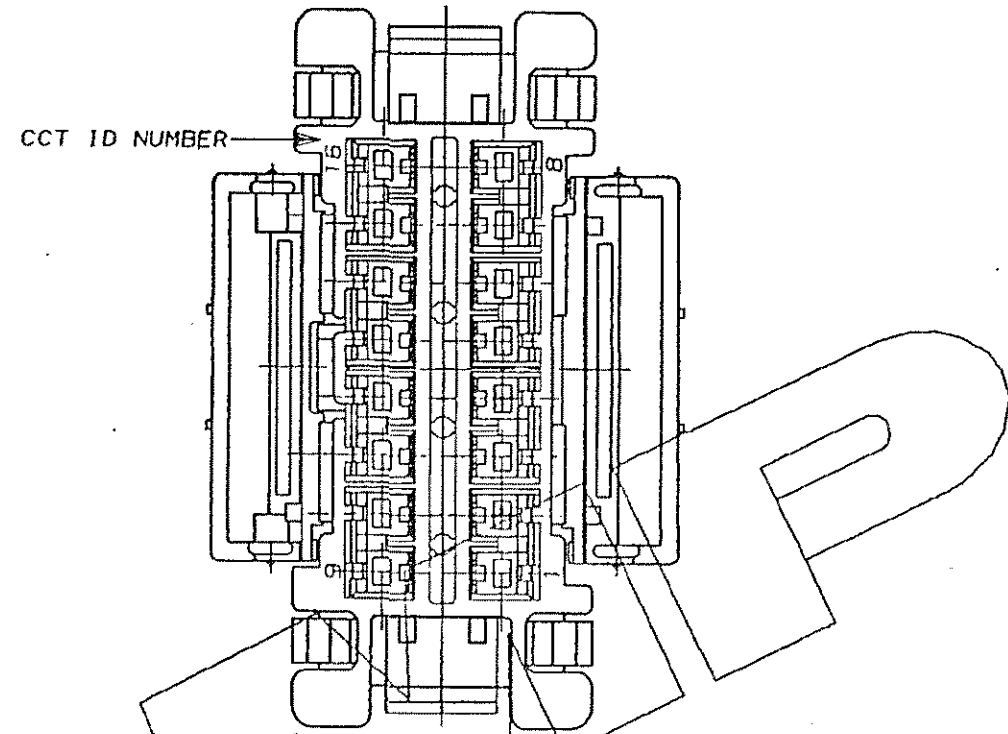
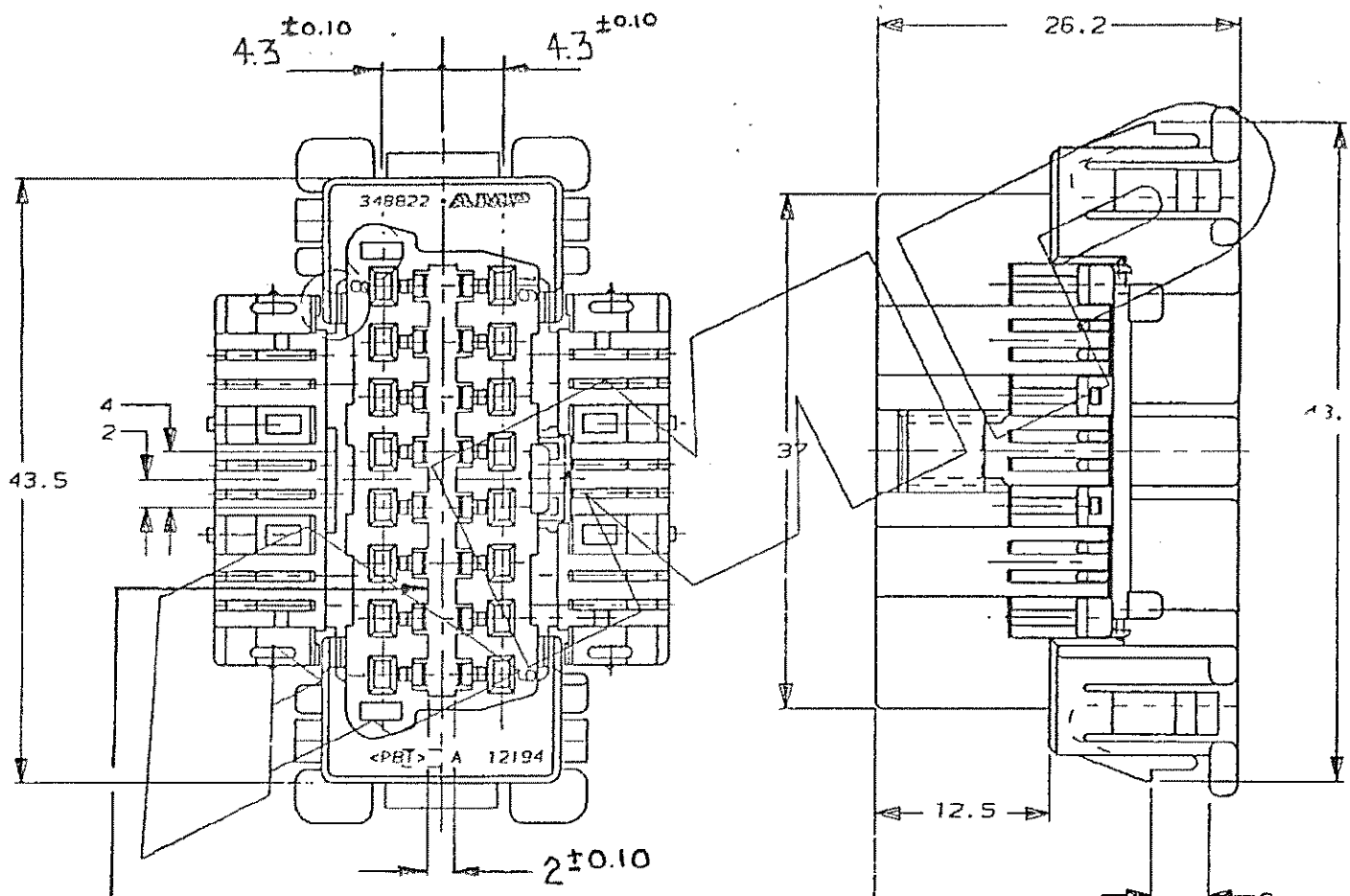
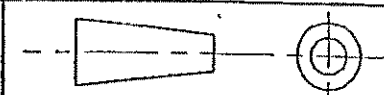
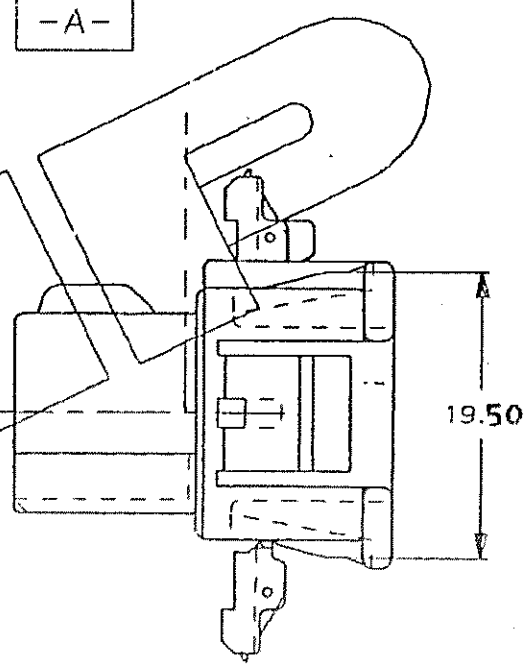


C.A.D. FILE CODE
S. C348822.D.SH1

DO NOT SCALE DIMENSIONS IN MM.




1. APPLICABLE RECPT P/N 776001

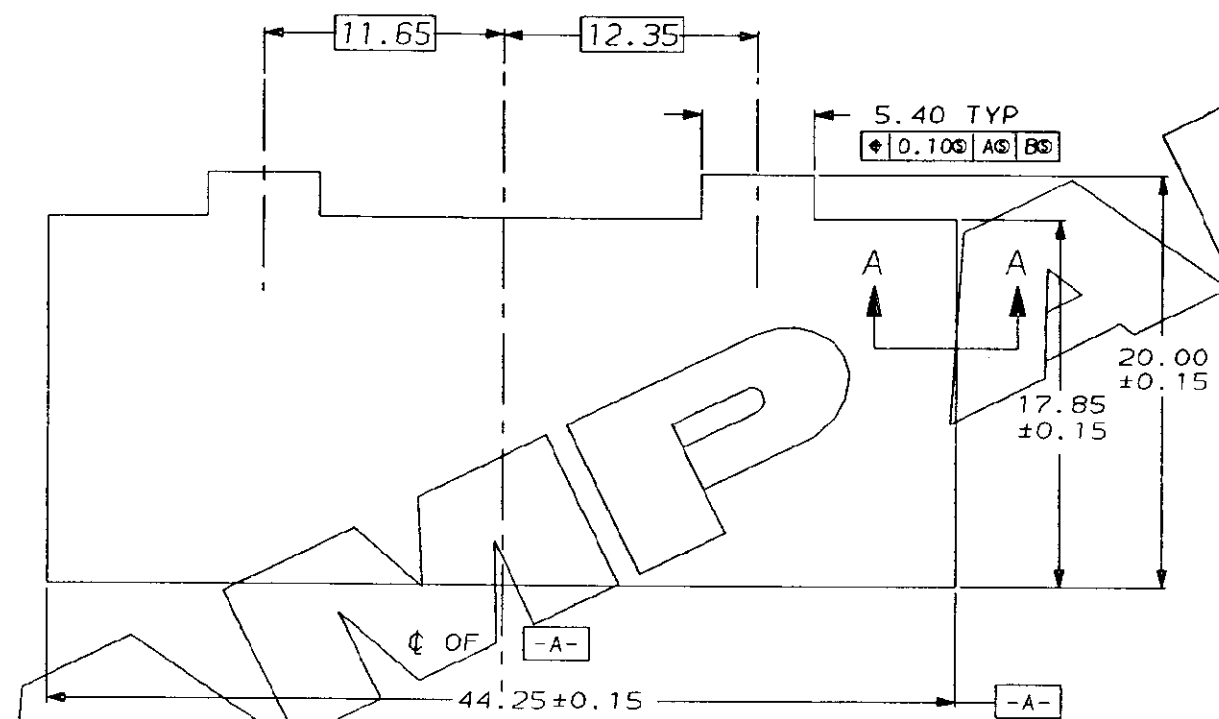


3.60	3.0	GREY	PBT	348822-3
1.80	1.2	GREY	PBT	348822-6
3.60	3.0	BLACK	PBT	348822-2
s	PANEL THICKNESS	FINISH	MATERIAL	PART NUMBER
CUSTOMER DWG FOR REFERENCE ONLY			© COPYRIGHT 1995 BY AMP OF GREAT BRITAIN LTD. ALL INTERNATIONAL RIGHTS RESERVED. ALL PRODUCTS MAY BE COVERED BY BRITISH AND FOREIGN PATENTS AND/OR PATENTS PENDING.	
E	M.G.	EBA0 0026 04	14/05/04	TOLERANCES UNLESS OTHERWISE STATED :
D	M.M.	EB00-0431-95	19/10/95	DEC ± 0.5
C	M.M.	EB00-0363-95	7.9.95	ANGLES ± 1°
B	M.M.	EB00-0287-95	20/7/95	DR. MAGAN MISTRY 22/12/94
A	M.M.	EB00-0265-95	6/11/95	CH. P. GAULTON APP. M. MISTRY
Q	M.M.	EB00-0249-95	28/6/95	AMP of Great Britain Ltd. TERMINAL HOUSE STANMORE MIDDX.
1	MM	EB00- ---- -94	27/4/95	NAME DIAGNOSTIC CONNECTOR 16 POSN PLUG HOUSING
REV	APPROVED	CHANGE No.	DATE	SCALE LOC SIZE DWG.No. REV SHEET
				2/1 E A3 C348822 E 1/2

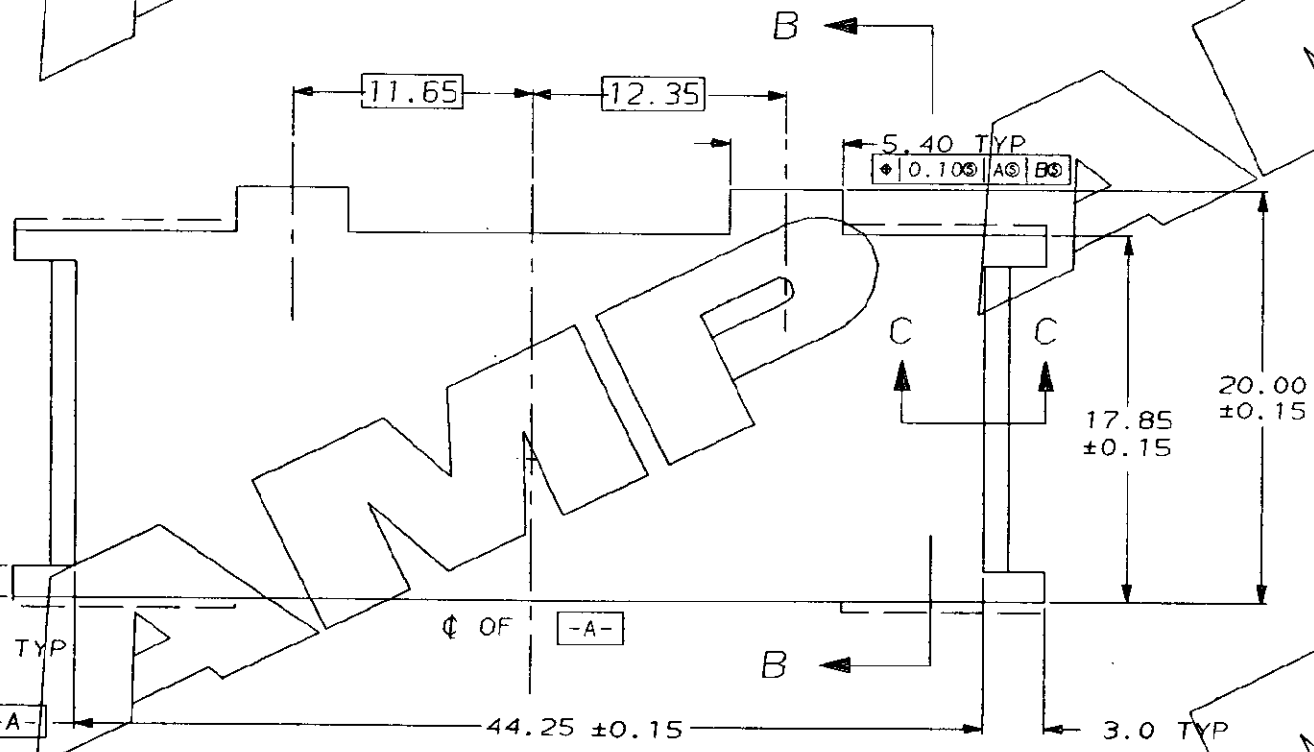
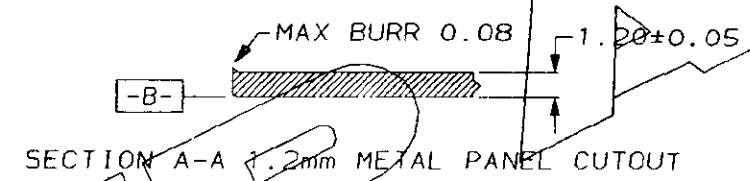
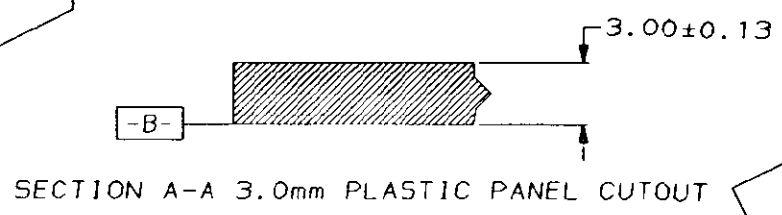
C.A.D. FILE CODE
S. C348822.D.SH2

8 7 6 5 4 3 2 1

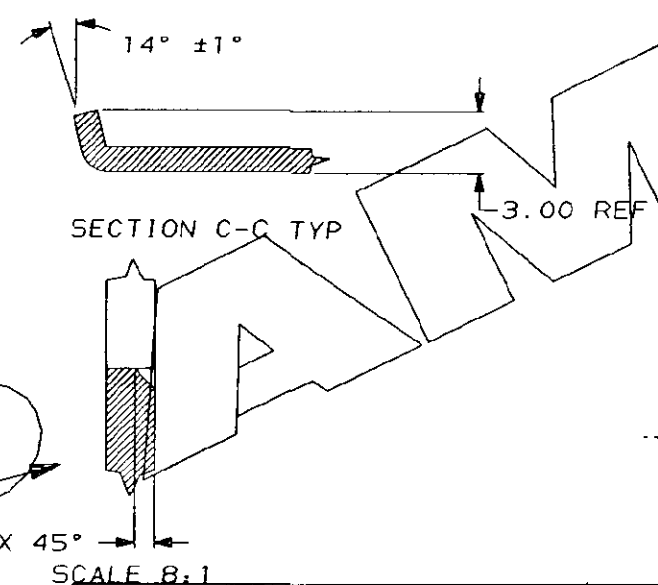
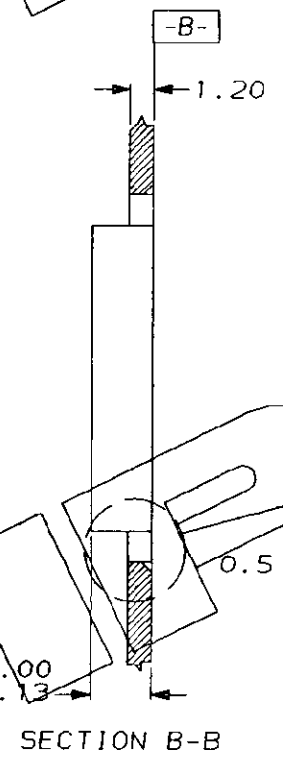
DO NOT SCALE DIMENSIONS IN MM. 




RECOMMENDED 1.2mm METAL & 3.0mm PLASTIC PANEL CUTOUT (MATING VIEW)



RECOMMENDED 3mm FORMED PANEL CUTOUT (MATING VIEW) FOR -2



PANEL THICKNESS	FINISH	MATERIAL	PART NUMBER
3.0 ± 0.13	GREY	PBT	348822-3
3.0 ± 0.13	BLACK	PBT	348822-2
1.2 ± 0.05	GREY	PBT	348822-6

CUSTOMER DWG FOR REFERENCE ONLY		© COPYRIGHT 1995 BY AMP OF GREAT BRITAIN LTD. ALL INTERNATIONAL RIGHTS RESERVED. ALL PRODUCTS MAY BE COVERED BY BRITISH AND FOREIGN PATENTS AND/OR PATENTS PENDING.		RELEASED FOR PUBLICATION 03 FEB 1995	
E	SEE SHEET 1	TOLERANCES UNLESS OTHERWISE STATED	DR. H. MISTRY	1/2/95	
D	SEE SHEET 1	DEC ± 0.5	CH. P. GAULTON	APP. H. MISTRY	
C	SEE SHEET 1	ANGLES ± 1°	 TERMINAL HOUSE STANMORE MIDDLEX.		
B	SEE SHEET 1				
A	H.M. SEE SHEET 1	6/7/95	NAME DIAGNOSTIC CONNECTOR		
O	M. MISTRY	28.6.95	16 POSN PLUG HOUSING		
1	H. MISTRY	27/4/95	SCALE 1:1	SIZE A2	DWG No. C348822
REV	APPROVED	CHANGE No.	DATE	4/1	E 2/2