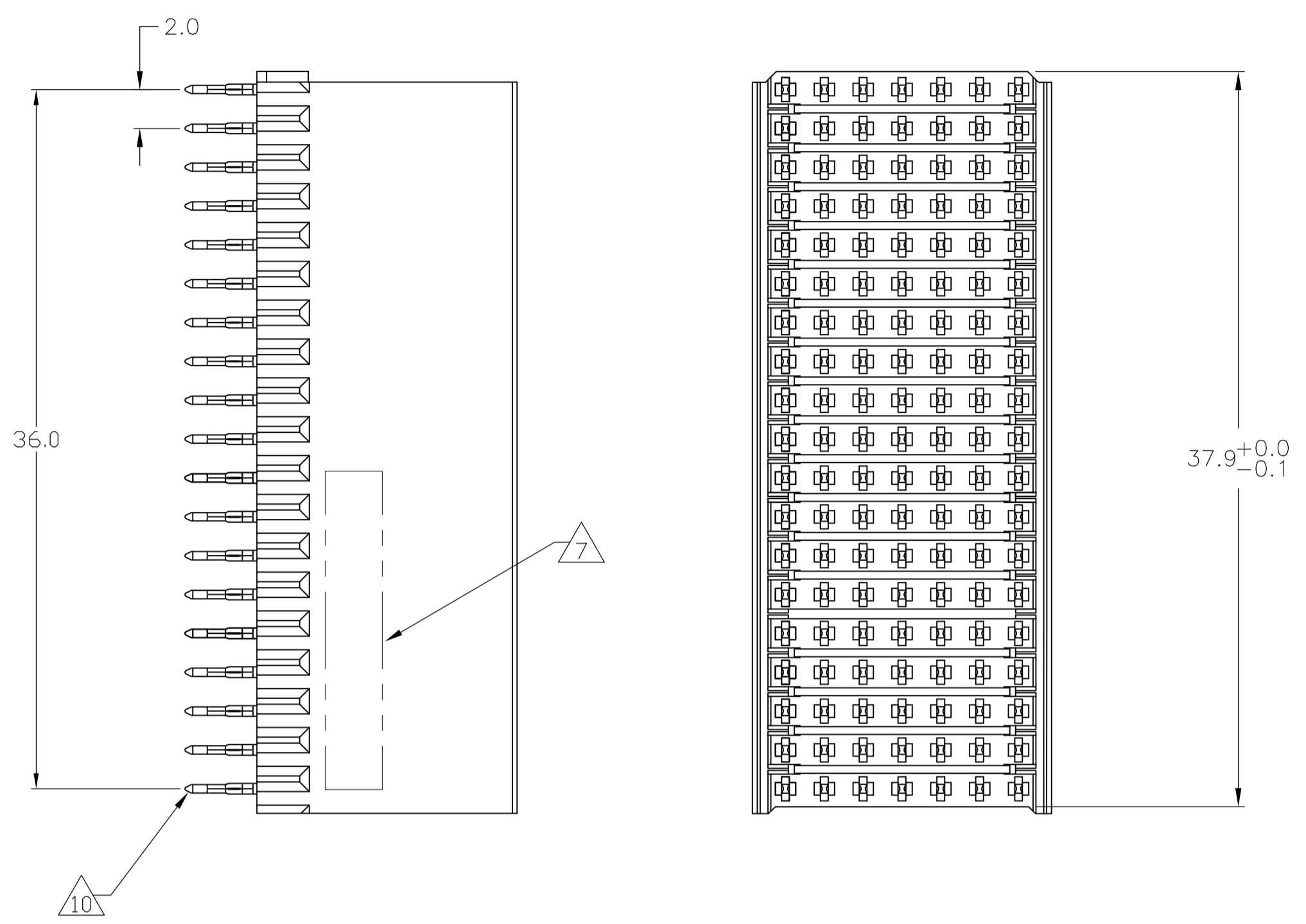
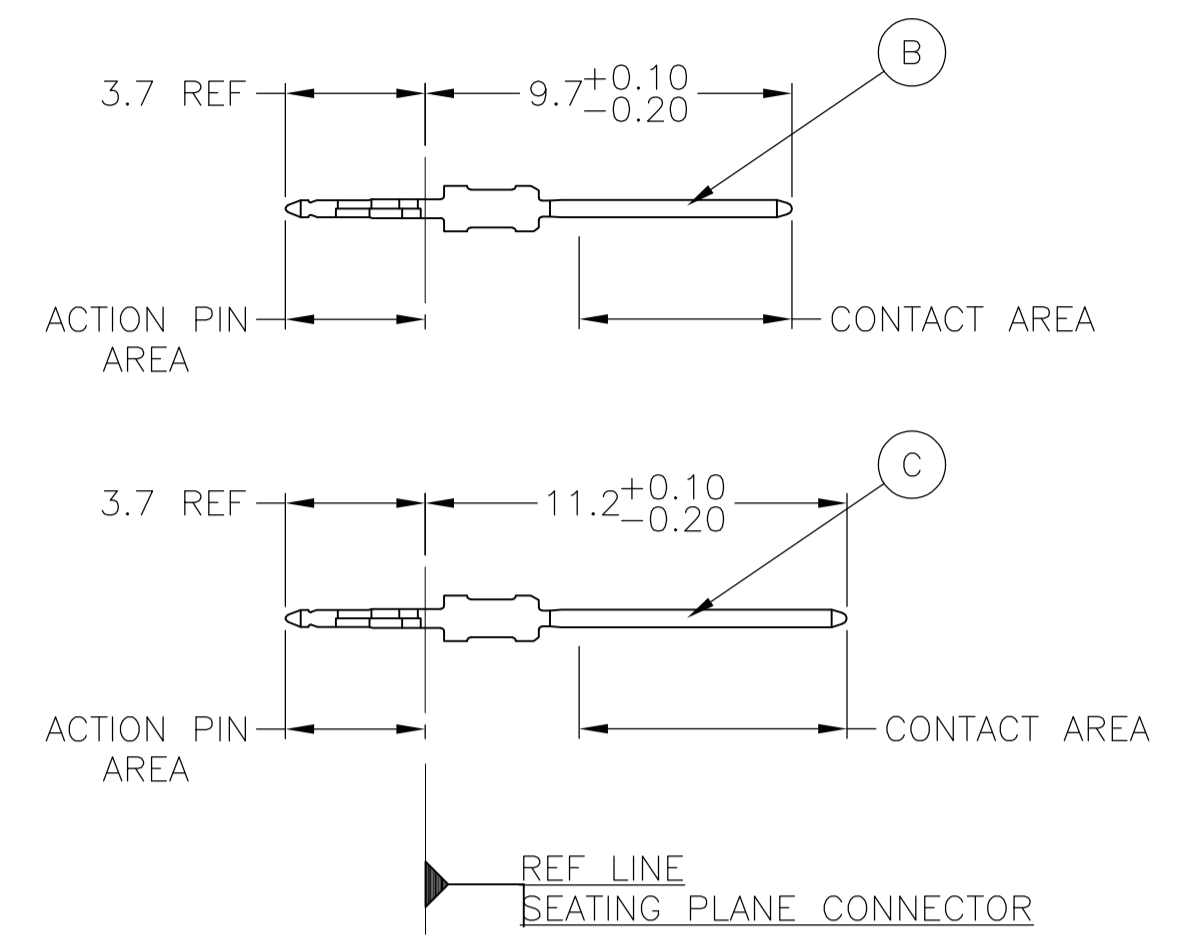


LOC		DIST		REVISIONS			
P	LTR	DESCRIPTION	DATE	DNW	APVD		
G2		REV PER ECR-09-027570	18DEC2009	JY	SY		
G3		REVISED PER ECO-10-000443	30DEC09	KK	AEG		
H		ECR-10-019054	15SEP10	SW	MQW		

### CONNECTOR ASSEMBLY EXAMPLARY LOADED

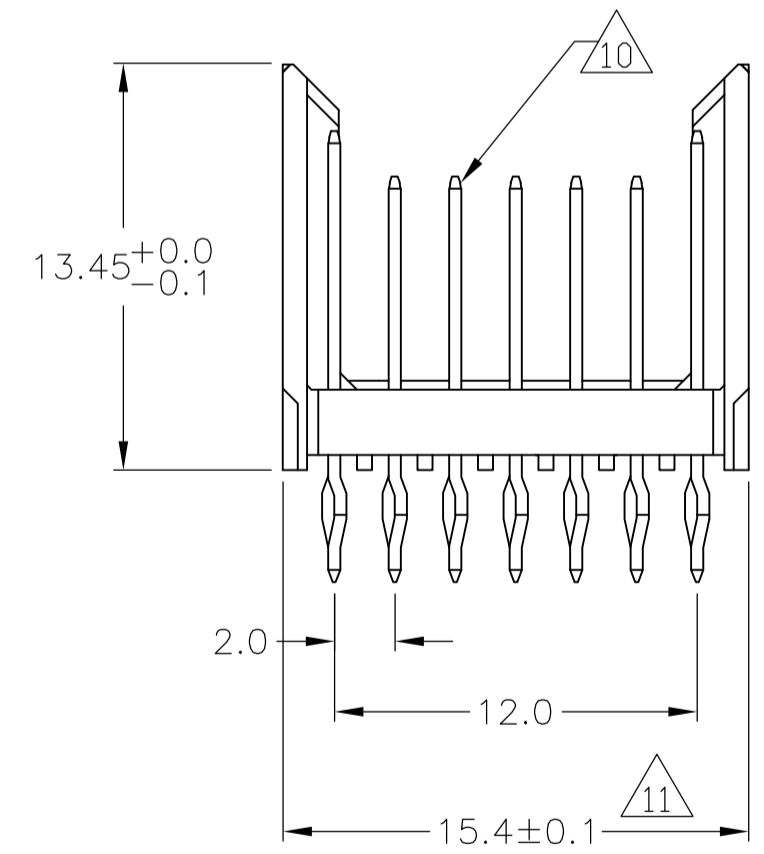


### CONTACT DIMENSIONS SCALE 5:1

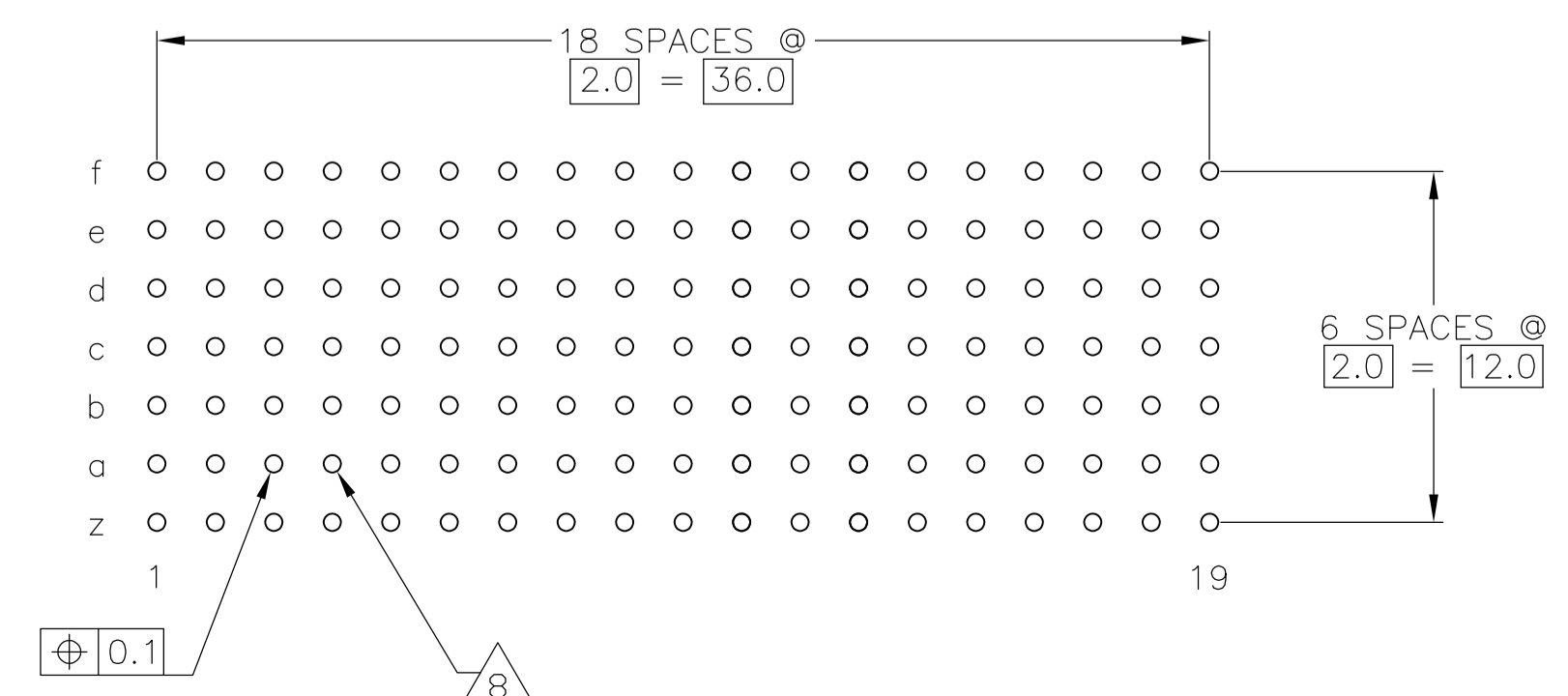


### CONTACT LAYOUT

	z	a	b	c	d	e	f
1	C	B	B	B	B	B	C
2	C	B	B	B	B	B	C
3	C	B	B	B	B	B	C
4	C	B	B	B	B	B	C
5	C	B	B	B	B	B	C
6	C	B	B	B	B	B	C
7	C	B	B	B	B	B	C
8	C	B	B	B	B	B	C
9	C	B	B	B	B	B	C
10	C	B	B	B	B	B	C
11	C	B	B	B	B	B	C
12	C	B	B	B	B	B	C
13	C	B	B	B	B	B	C
14	C	B	B	B	B	B	C
15	C	B	B	B	B	B	C
16	C	B	B	B	B	B	C
17	C	B	B	B	B	B	C
18	C	B	B	B	B	B	C
19	C	B	B	B	B	B	C



### RECOMMENDED PCB-HOLE LAYOUT COMPONENT SIDE SHOWN



### PLATED THRU HOLES PARAMETERS REFERENCE APPLICATION SPECIFICATION

OBSOLETE	2 3 13	3-352033-1
	2 5 12 13	3-352033-0
	2 6 12	1-352033-9
	2 5 12	352033-9
	2 4	352033-4
	2 3	352033-1
	FINISH	PART NUMBER

THIS DRAWING IS A CONTROLLED DOCUMENT.		DIN B CARBO 130EC05		Tyco Electronics Corporation Harrisburg, Pa 17105-3608	
DIMENSIONS: mm		TOLERANCES UNLESS OTHERWISE SPECIFIED:		APVD G SKIPPER 130EC05	
0-PLG ±		1-PLG ±0.1		NAME 108-19082	
2-PLG ±		3-PLG ±0.2		APPLICATION SPEC 114-19029	
4-PLG ±		ANGLES ±		SIZE CAGE CODE DRAWING NO. A1 00779 C=352033	
MATERIAL 1		FINISH SEE TABLE		WEIGHT	
				CUSTOMER DRAWING SCALE 4:1 SHEET 1 OF 2 REV H	

LOC		DIST		REVISIONS				
AD	00	REV	LTR	DESCRIPTION	DATE	DN	APVD	
				SEE SHEET 1				

- 1 MATERIAL:  
CONTACT: PHOSPHOR BRONZE.  
HOUSING: GLASS-FILLED POLYESTER.
- 2 GENERAL PLATING SPECIFICATION: UNDERPLATING  
(ENTIRE CONTACT): 1.27µm MIN NICKEL AND ACTION  
PIN: 0.5µm MIN TIN LEAD.  
FOR PLATING OF MATING SURFACES SEE APPLICABLE  
SPECIFICATION REFERENCE FOR EACH DASH NUMBER.
- 3 CONFORMS TO ALL TESTING ACCORDING TO IEC 61076-4-101  
PERFORMANCE LEVEL 2.
- 4 CONFORMS TO ALL TESTING ACCORDING TO IEC 61076-4-101  
PERFORMANCE LEVEL 1.
- 5 CONNECTOR TESTED AND QUALIFIED AGAINST TELCORDIA GR-1217-CORE QUALITY LEVEL 3,  
CENTRAL OFFICE APPLICATIONS.
- 6 CONNECTOR TESTED AND QUALIFIED AGAINST TELCORDIA GR-1217-CORE QUALITY LEVEL 3,  
UNCONTROLLED ENVIROMENT APPLICATIONS.
- 7 CONNECTOR MARKED WITH PART NUMBER AND DATE CODE.  
ADDITIONAL CHARACTERS OR MARKINGS, AS WELL AS THE LOCATION OF THE MARKINGS,  
MAY BE ADDED FOR TRACEABILITY BASED UPON MANUFACTURERS DISCRETION.
- 8 PLATED-THROUGH HOLES AT 2x2mm SQUARE GRID  
PATTERN DEFINED BY CONTACT LAYOUT.
- 9 FOR ACTUAL PIN LOADING SEE "CONTACT LAYOUT".
- 10 FOR ACTUAL PIN DIMENSIONS SEE "CONTACT DIMENSIONS".
- 11 TO BE MEASURED AT BOTTOM OF SHROUD.
- 12 CONNECTOR LUBRICATED WITH BELCORE APPROVED LUBRICANT,  
TECHNICAL REFERENCE: TR-NWT-001217 ISSUE 1, SEP 1992.
- 13 0.76µm MIN GOLD PLATING AT MATING SURFACES.
- 14 OBSOLETE PARTS: OBSOLETE CIS STREAMLINING PER D.RENAUD/D.SINISI

THIS DRAWING IS A CONTROLLED DOCUMENT.		DWN B CARBO 130EC05	Tyco Electronics Corporation Harrisburg, Pa 17105-3608																
DIMENSIONS: mm		CHK G.SKIPPER 130EC05	NAME MALE ASSEMBLY, Z-PACK 2mm HM, TYPE B																
TOLERANCES UNLESS OTHERWISE SPECIFIED:		APPLD G.SKIPPER 130EC05	PRODUCT SPEC 108-19082																
<table border="0"> <tr><td>0-PLC</td><td>±</td><td>0.2</td></tr> <tr><td>1-PLC</td><td>±</td><td>0.1</td></tr> <tr><td>2-PLC</td><td>±</td><td>0.1</td></tr> <tr><td>3-PLC</td><td>±</td><td>0.1</td></tr> <tr><td>4-PLC</td><td>±</td><td>0.1</td></tr> </table>		0-PLC	±	0.2	1-PLC	±	0.1	2-PLC	±	0.1	3-PLC	±	0.1	4-PLC	±	0.1	APPLICATION SPEC 114-19029	SIZE A1	CAGE CODE 00779
0-PLC	±	0.2																	
1-PLC	±	0.1																	
2-PLC	±	0.1																	
3-PLC	±	0.1																	
4-PLC	±	0.1																	
MATERIAL SEE SHEET 1	FINISH SEE SHEET 1	WEIGHT -	DRAWING NO 352033	RESTRICTED TO -															
CUSTOMER DRAWING		SCALE 4:1	SHEET 2	OF 2															