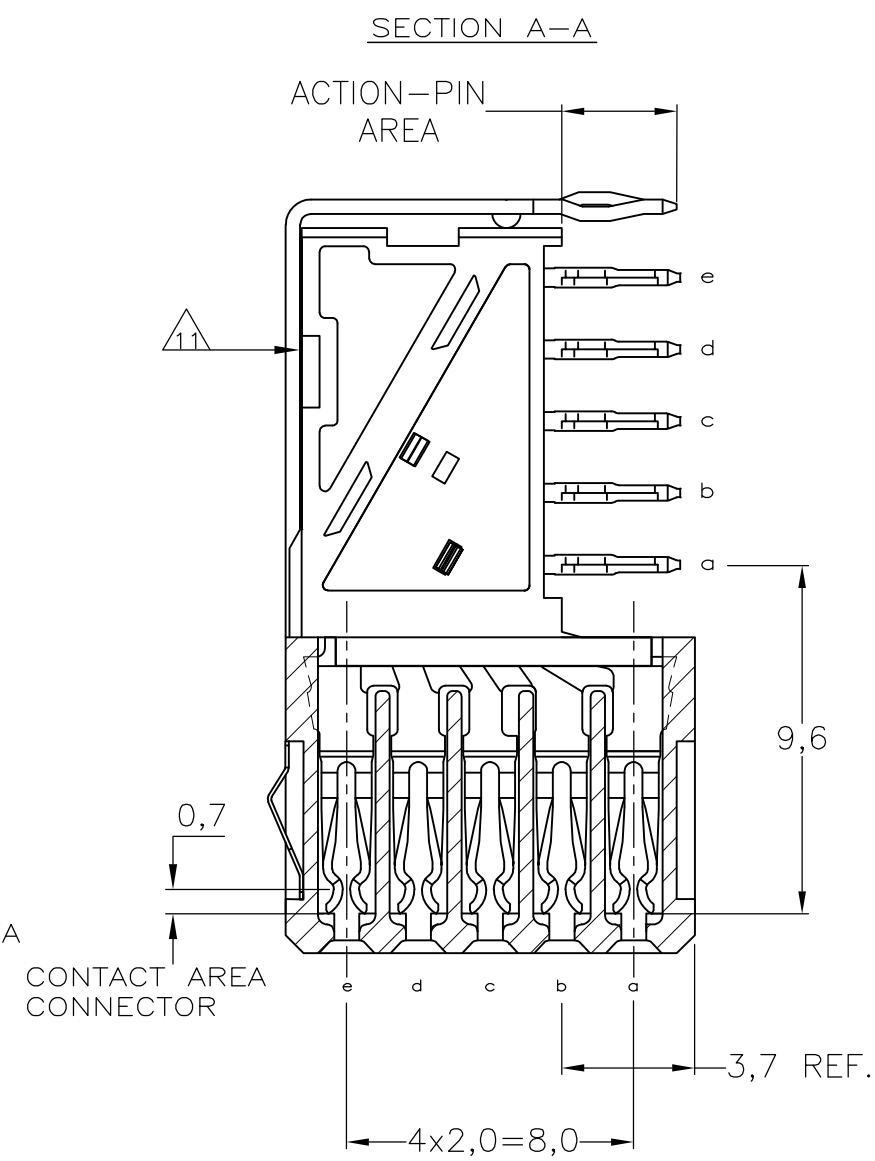
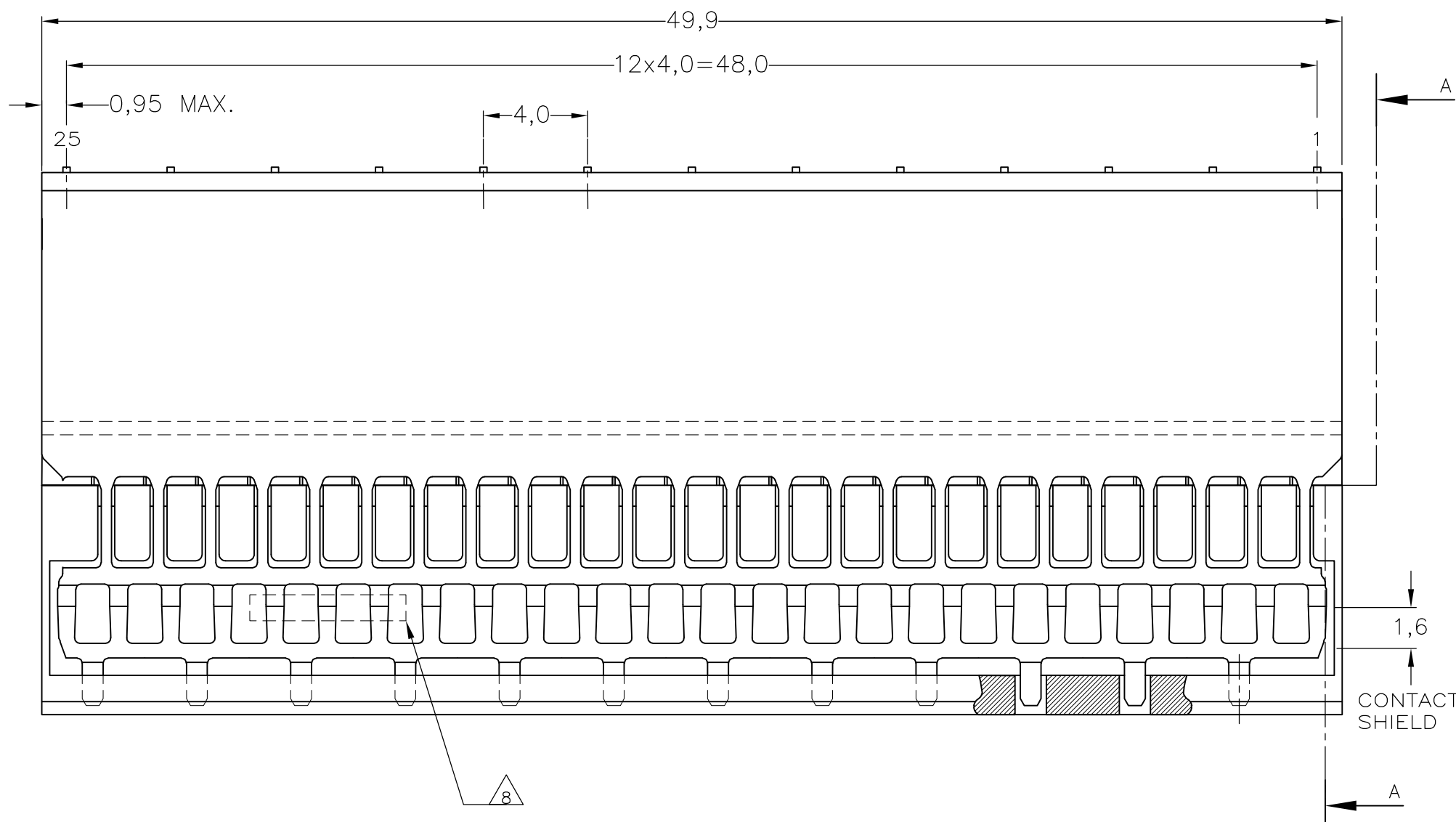
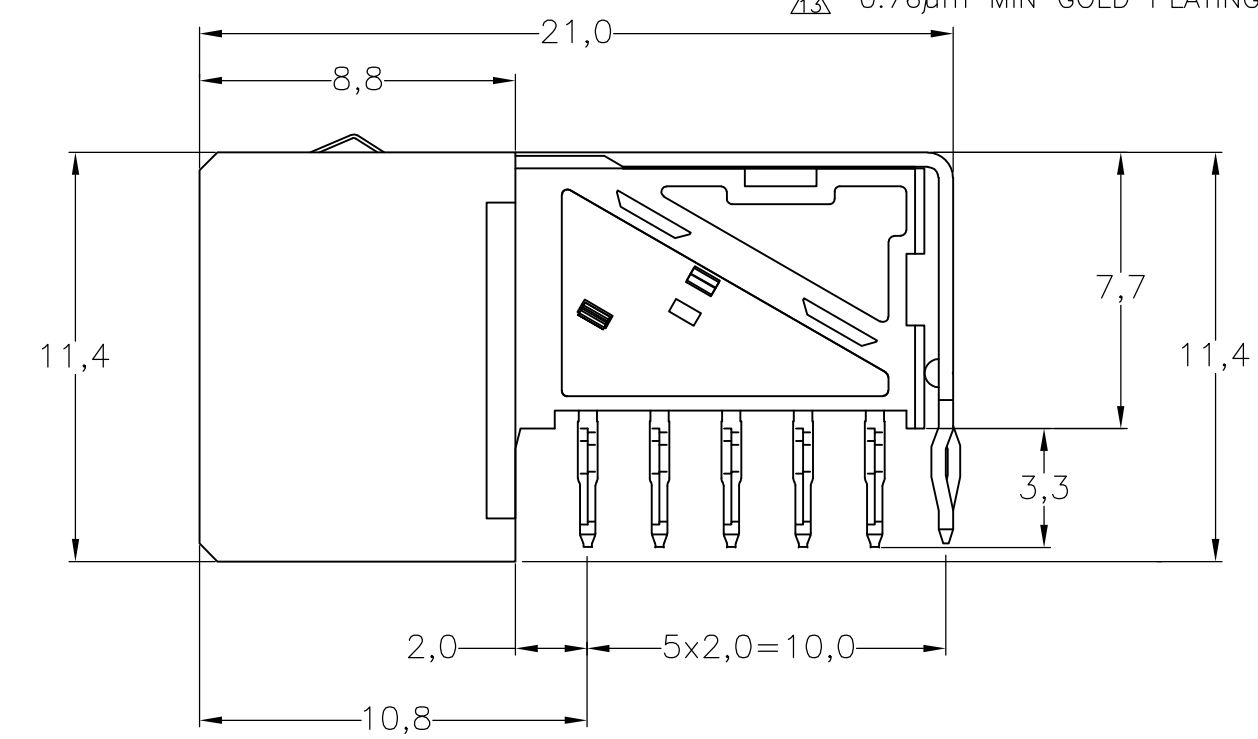
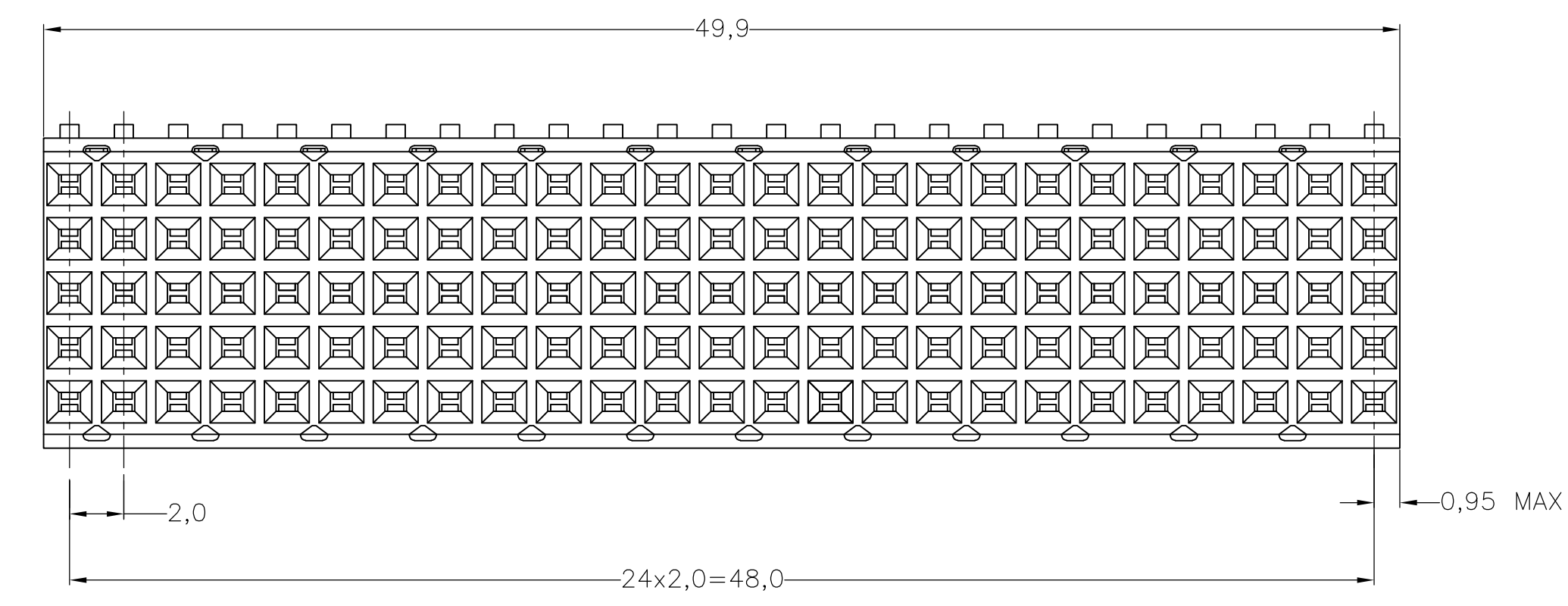


THIS DRAWING IS UNPUBLISHED. RELEASED FOR PUBLICATION  
 © COPYRIGHT BY TYCO ELECTRONICS CORPORATION. ALL RIGHTS RESERVED.

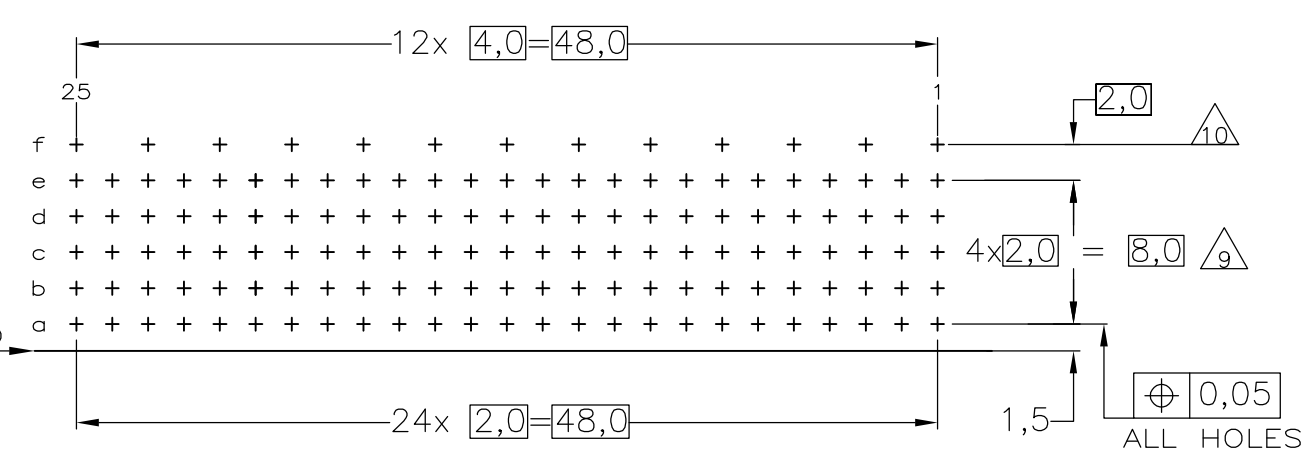
| LOC | DIST | REVISIONS                 |           |     |      |
|-----|------|---------------------------|-----------|-----|------|
| P   | LTR  | DESCRIPTION               | DATE      | DWN | APVD |
| G3  |      | REVISED PER ECO-10-001916 | 09MAR2010 | JY  | SY   |
| H   |      | ECR-10-018652             | 10SEP10   | SW  | MQW  |



- NOTES:
- 1 MATERIAL CONTACTS; PHOSPHORBRONZE  
MATERIAL HOUSING; GLASSFILLED POLYESTER (GRAY)
  - 2 GENERAL PLATING SPECIFICATION: UNDERPLATING  
(ENTIRE CONTACT): 1,27µm NICKEL MIN. AND ACTION  
PIN: 0,5µm TIN-LEAD MIN.  
FOR PLATING OF MATING SURFACES SEE APPLICABLE  
SPECIFICATION REFERENCE FOR EACH DASH NUMBER.
  - 3 CONFORMS TO ALL TESTING ACCORDING IEC 61076-4-101  
PERFORMANCE LEVEL 2.
  - 4 CONFORMS TO ALL TESTING ACCORDING IEC 61076-4-101  
PERFORMANCE LEVEL 1.
  - 5 CONNECTOR TESTED AND QUALIFIED AGAINST TELCORDIA  
GR-1217-CORE QUALITY LEVEL III, CENTRAL OFFICE APPLICATIONS.
  - 6 CONNECTOR LUBRICATED WITH TELCORDIA GR-1217-CORE  
APPROVED LUBRICANT.
  - 7 PLATING SHIELD  
CONTACT AREA : 0,76µm Au MIN.  
ACTION PIN : 0,5µm SnPb MIN.  
REMAINDER : Ni
  - 8 ASSEMBLY PRINTED WITH P/N AND DATECODE.  
THE MARKING CAN APPEAR ON THE FRONT SIDE  
OR BACK SIDE.
  - 9 HOLE PATTERN FOR FEMALE CONNECTOR TYPE B  
125 PLATED-THROUGH HOLES AT 2x2mm SQUARE GRID
  - 10 ROW "f" 13 PLATED THROUGH HOLES FOR UPERSHIELD
  - 11 SHIELD MOUNTED ON CONNECTOR WITH DOUBLE SIDED  
ADHESIVE TAPE OR ADHESIVE
  - 12. BASIC P.N. LOWERSHIELD: 338110
  - 13 0.76µm MIN GOLD PLATING AT MATING SURFACES.



COMPONENT SIDE AS SHOWN  
 RECOMMENDED PCB-HOLE LAY-OUT  
 SCALE 2,5:1



P.C.B. HOLE DIM. ACTION PIN  
 FOR DETAILS SEE  
 APPLICATION SPECIFICATION

| FINISH  | MATERIAL | PARTNUMBER |
|---------|----------|------------|
| 2 3 3 3 | △        | 3-352069-0 |
| 2 3 3 3 | △        | 352069-9   |
| 2 3 3 3 | △        | 352069-4   |
| 2 3 3 3 | △        | 352069-1   |

THIS DRAWING IS A CONTROLLED DOCUMENT.

|                  |           |           |   |               |
|------------------|-----------|-----------|---|---------------|
| DWN              | D. TRUREN | 20JAN97   | Tyco Electronics Corporation<br>s-Hertogenbosch, Netherlands,   |               |
| CHK              | -         | -         | Z-PACK 2MM HM<br>TYPE B - 25 COLUMNS<br>PRE-SHIELDED RECEPTACLE |               |
| APVD             | -         | -         | SIZE  | CAGE CODE     |
| PRODUCT SPEC     | 108-19082 | 114-19029 | A2  | 00779         |
| APPLICATION SPEC | 114-19029 | 114-19029 | DRAWING NO  | RESTRICTED TO |
| MATERIAL         | -         | -         | SCALE   | SHEET         |
| FINISH           | -         | -         | NTS   | 1 OF 1        |
| CUSTOMER DRAWING |           | SCALE     |   | REV           |
|                  |           | NTS       |   | H             |