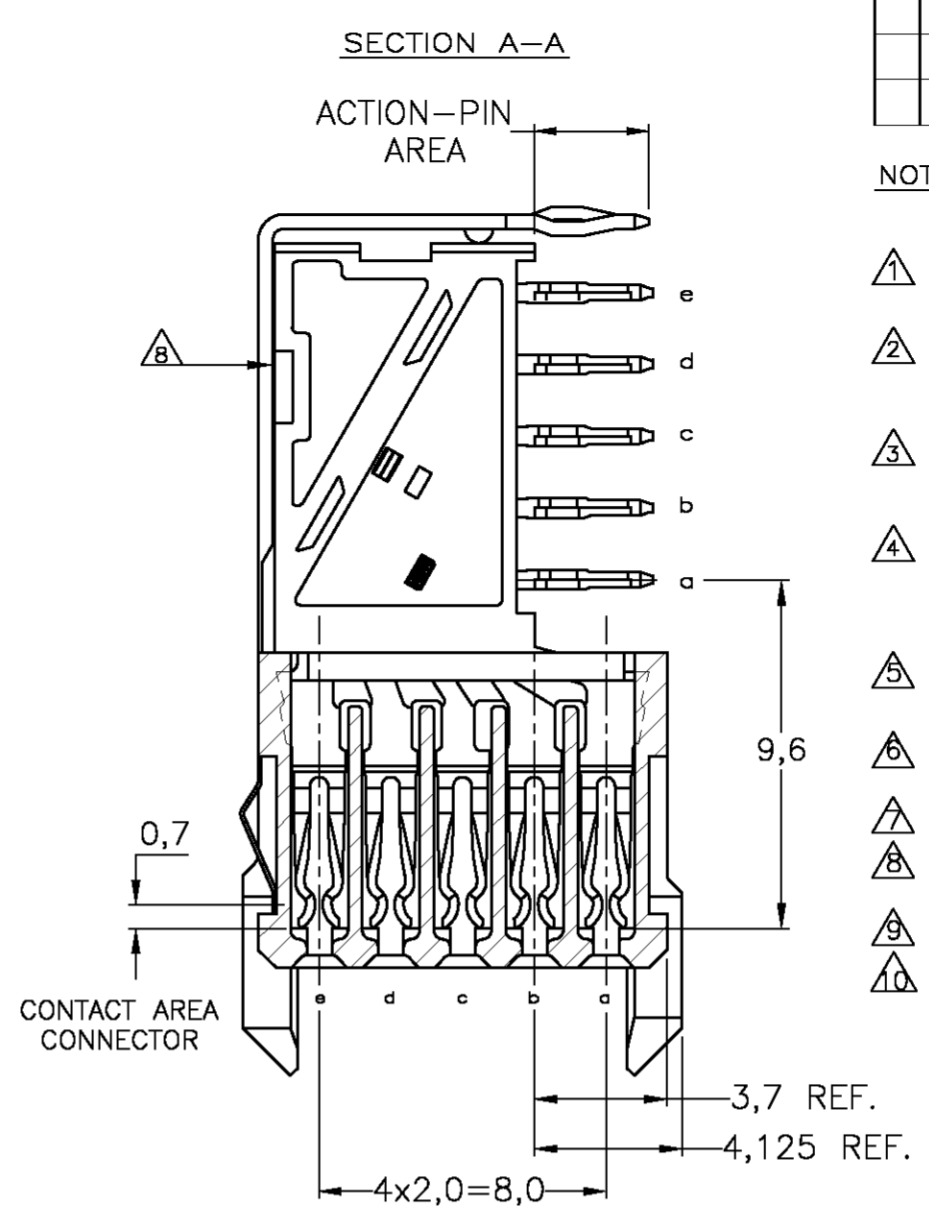
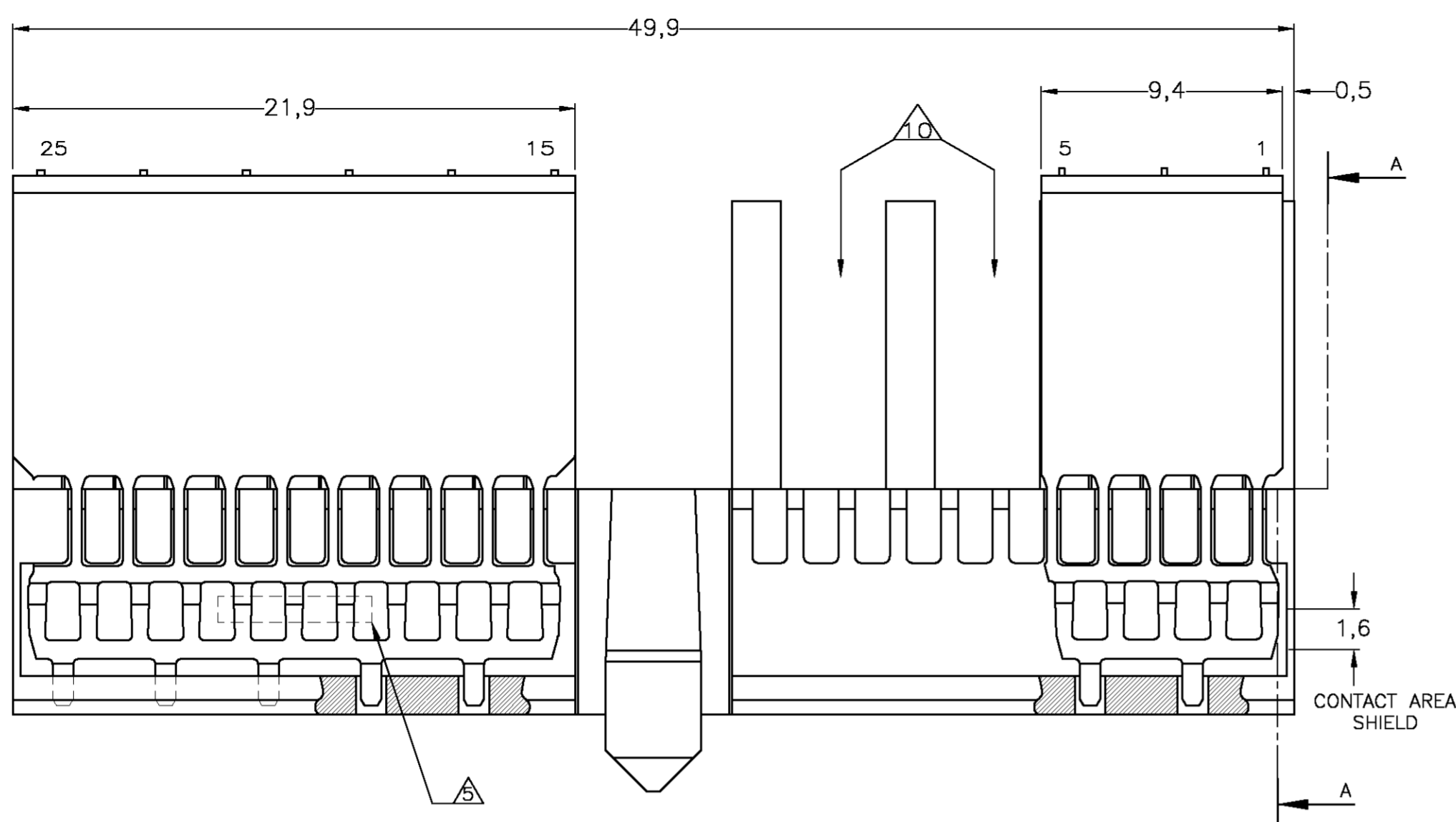
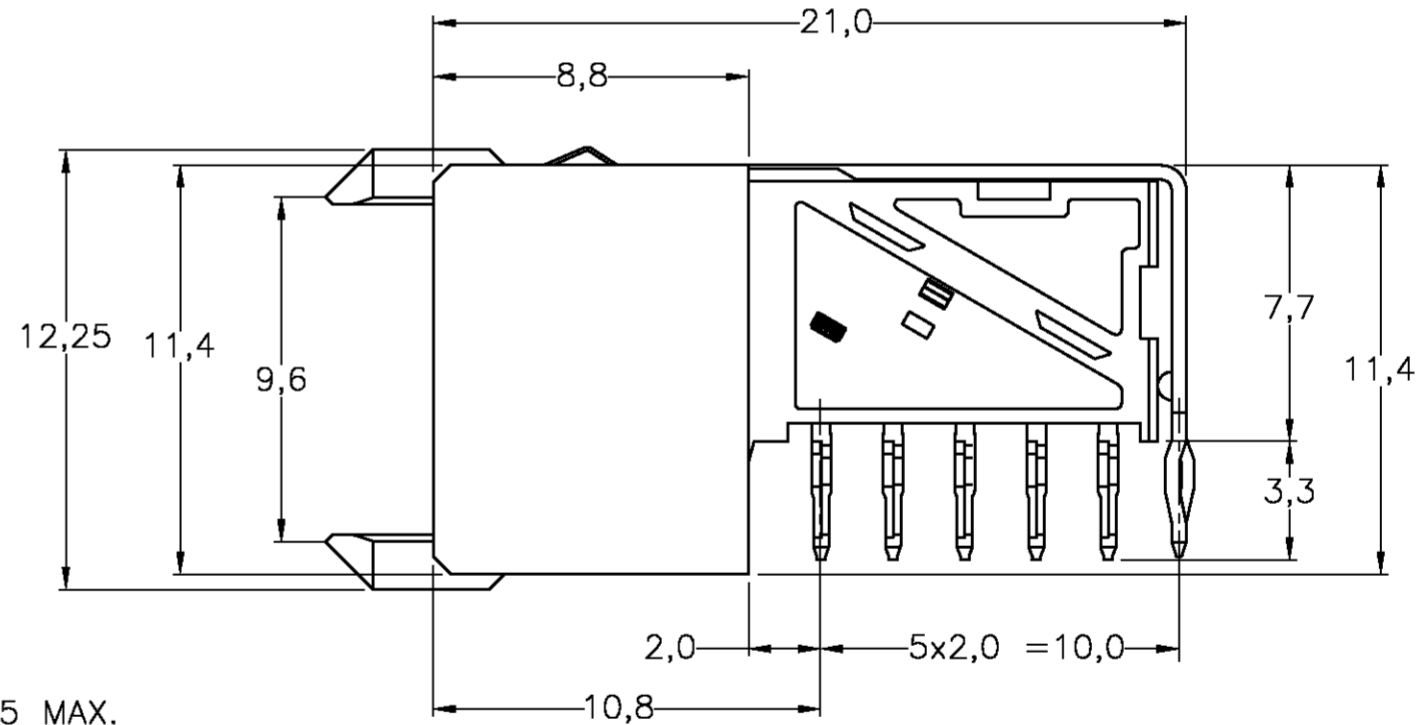
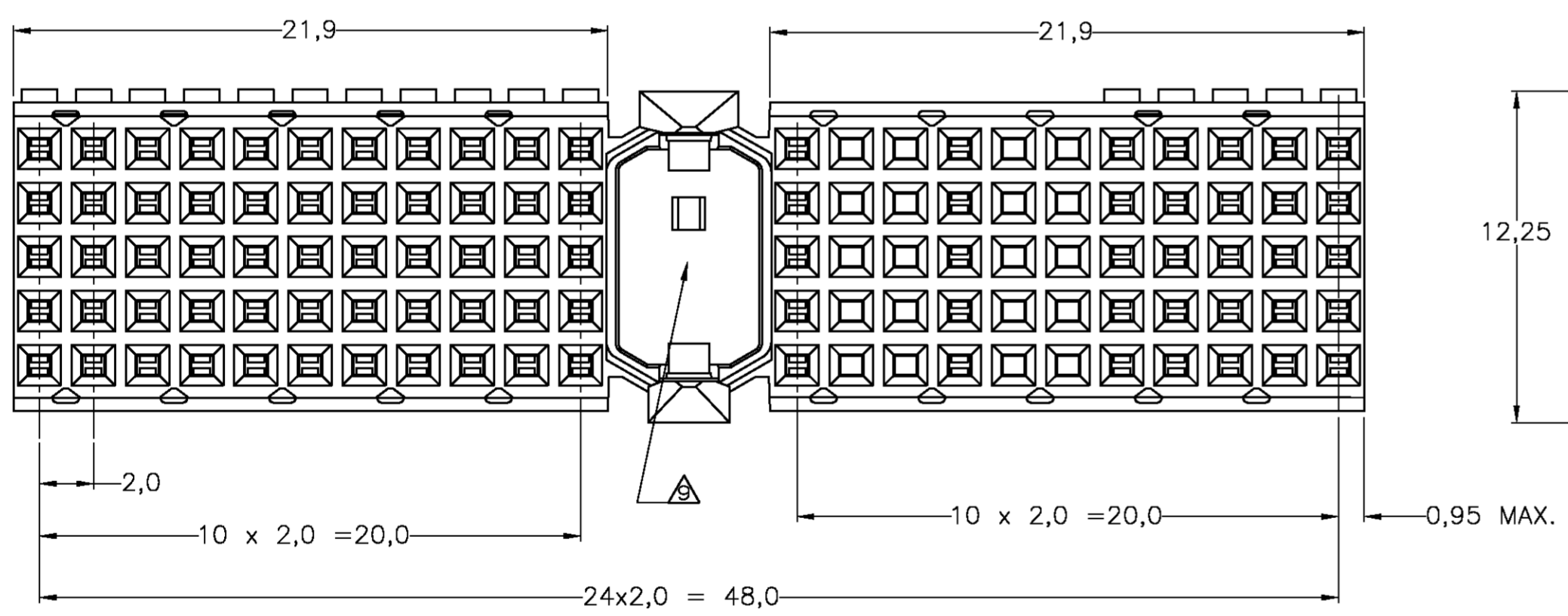


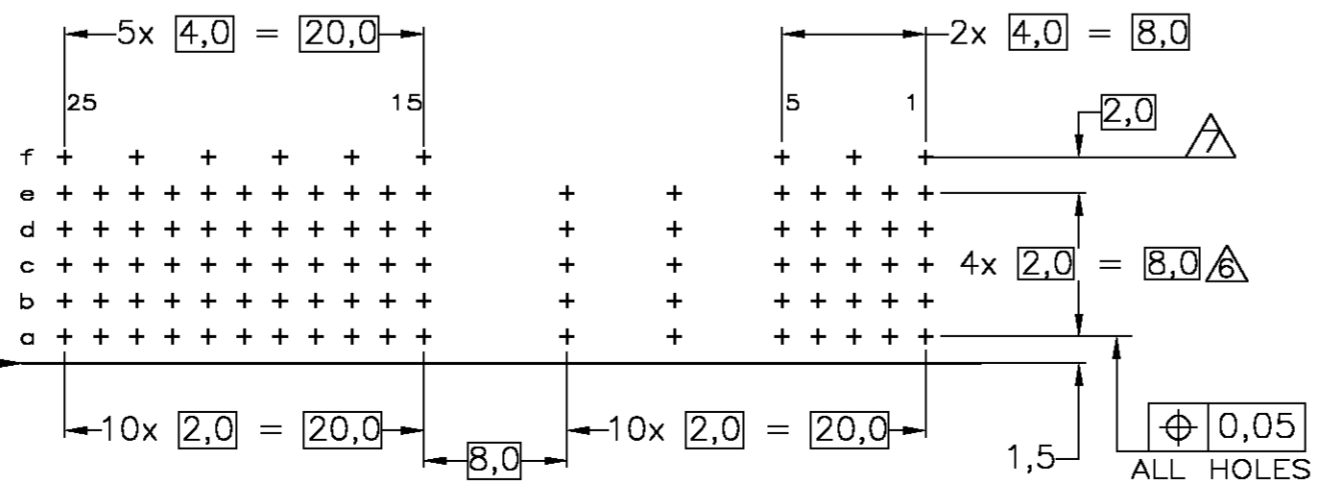
LOC		DIST		REVISIONS			
P	LYR	DESCRIPTION	DATE	DWN	APVD		
G2		ECR-07-008404	17APR2007	JvH	BM		



- NOTES:
- ⚠ MATERIAL CONTACTS AND SHIELDS; PHOSPHORBRONZE  
MATERIAL HOUSING; GLASSFILLED POLYESTER (GRAY)
  - ⚠ GENERAL PLATING SPECIFICATION: UNDERPLATING(ENTIRE CONTACT): 1,27µm NICKEL MIN. AND ACTION PIN: 0,5µm TIN-LEAD MIN. FOR PLATING OF MATING SURFACES SEE APPLICABLE SPECIFICATION REFERENCE FOR EACH DASH NUMBER.
  - ⚠ CONFORMS TO ALL TESTING ACCORDING IEC 61076-4-101 PERFORMANCE LEVEL 2.
  - ⚠ PLATING SHIELD :  
CONTACT AREA : 0,76µm Au Min.  
ACTION PIN : 0,5µm SnPb Min.  
REMAINDER : Ni
  - ⚠ ASSEMBLY PRINTED WITH P/N AND DATECODE. THE MARKING CAN APPEAR ON THE FRONT SIDE OR THE BACK SIDE
  - ⚠ HOLE PATTERN FOR FEMALE CONNECTOR 90 PLATED-THROUGH HOLES AT 2x2mm SQUARE GRID
  - ⚠ ROW "f" 9 PLATED THROUGH HOLES FOR BOTH UPPERSHIELDS
  - ⚠ SHIELDS MOUNTED ON CONNECTOR WITH DOUBLE SIDED ADHESIVE TAPE
  - ⚠ AREA RESERVED FOR KEYING PART (BASIC P.N. 100526)
  - ⚠ NO CONTACTS ON COLUMNS 6-7 AND 9-10



COMPONENT SIDE AS SHOWN  
 RECOMMENDED PCB-HOLE LAY-OUT  
 SCALE 2,5:1



P.C.B. HOLE DIM. ACTION PIN  
 FOR DETAILS SEE  
 APPLICATION SPECIFICATION

THIS DRAWING IS A CONTROLLED DOCUMENT.		DWN W. V.D. HEIJDEN 23FEB98	23FEB98	Tyco Electronics Corporation s-Hertogenbosch, Netherlands.
DIMENSIONS: MM		CHK W. V.D. HEIJDEN 23FEB98	23FEB98	
TOLERANCES UNLESS OTHERWISE SPECIFIED:		APVD F.V. KONINGSBRUGGE 23NOV99	23NOV99	NAME Z-PACK 2MM HM TYPE A - 16 COLUMNS (J4 VERSION) PRE-SHIELDED RECEPTACLE
MATERIAL		PRODUCT SPEC 108-19082	108-19082	SIZE A2
FINISH		APPLICATION SPEC 114-19029	114-19029	CAGE CODE 00779
MATERIAL		WEIGHT	-	DRAWING NO C-352359
FINISH		RESTRICTED TO	-	SCALE NTS
MATERIAL		CUSTOMER DRAWING	-	SHEET 1 OF 1
FINISH		REV	G2	