

4

3

2

1

CAD-Original

Index	Description	Date	Name
A	REDRAWN	18.02.85	R.ULLRICH
B	CONTOUR AND DIMENSION	13.10.86	M.KLAUTKE
C	REDRAWN	28 JUL 87	H. BOUDA
D	DIM 31.3 ^{+0.2} / _{-0.5} WAS 31.3 -0.5	18 OCT 88	W.PFEFFER
E	TRANSFERRED TO AMPES PER EC ES00-1753-93	15-6-93	J. PASCUAL
F	SEE EC ES00-0023-03	10-2-03	A. HERRANZ

D

C

B

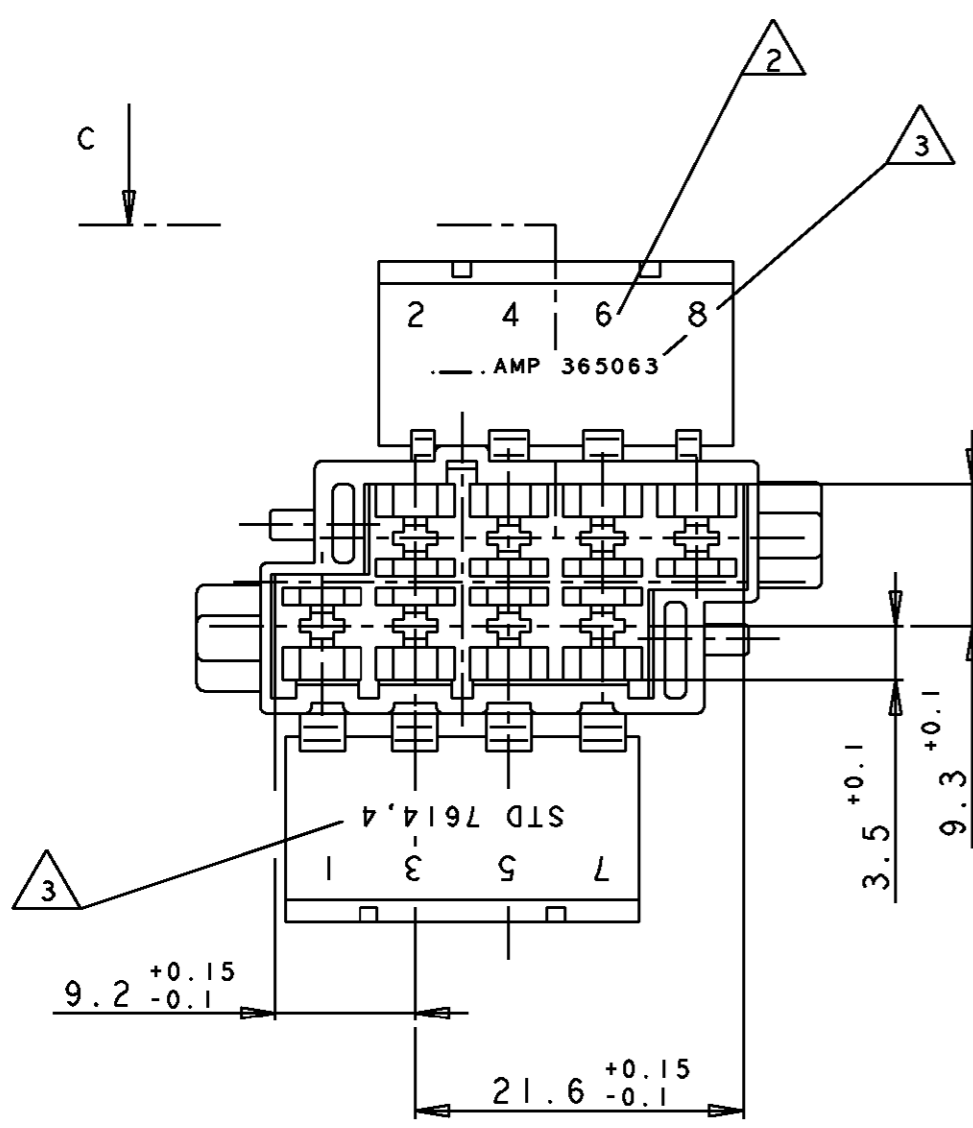
A

D

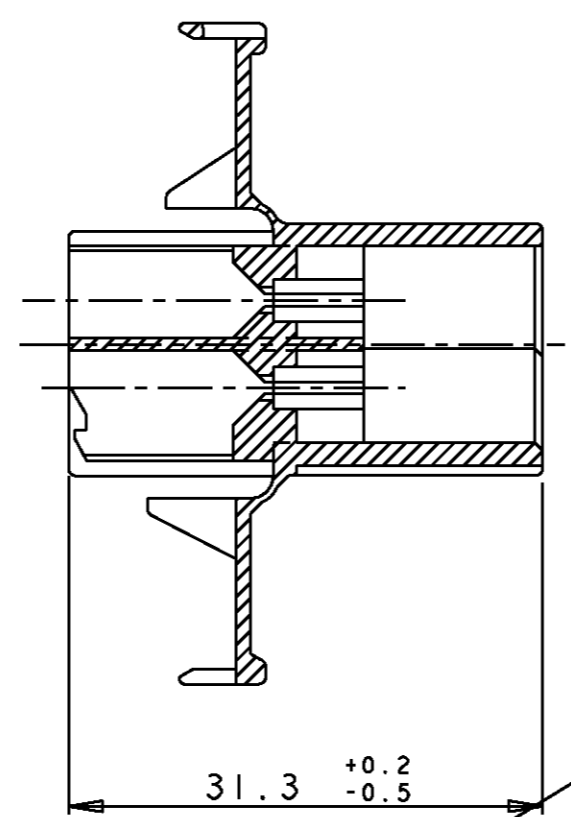
C

B

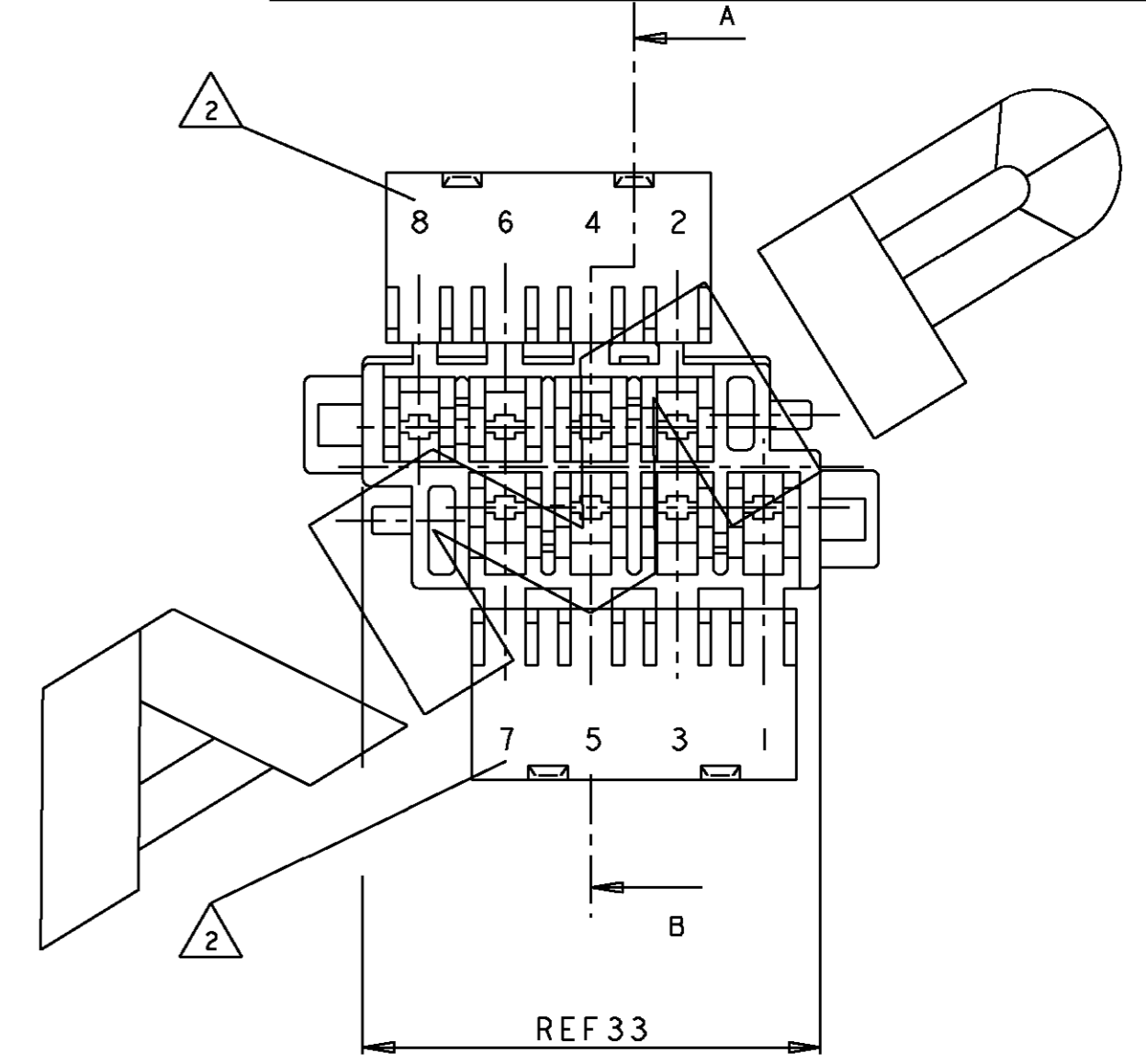
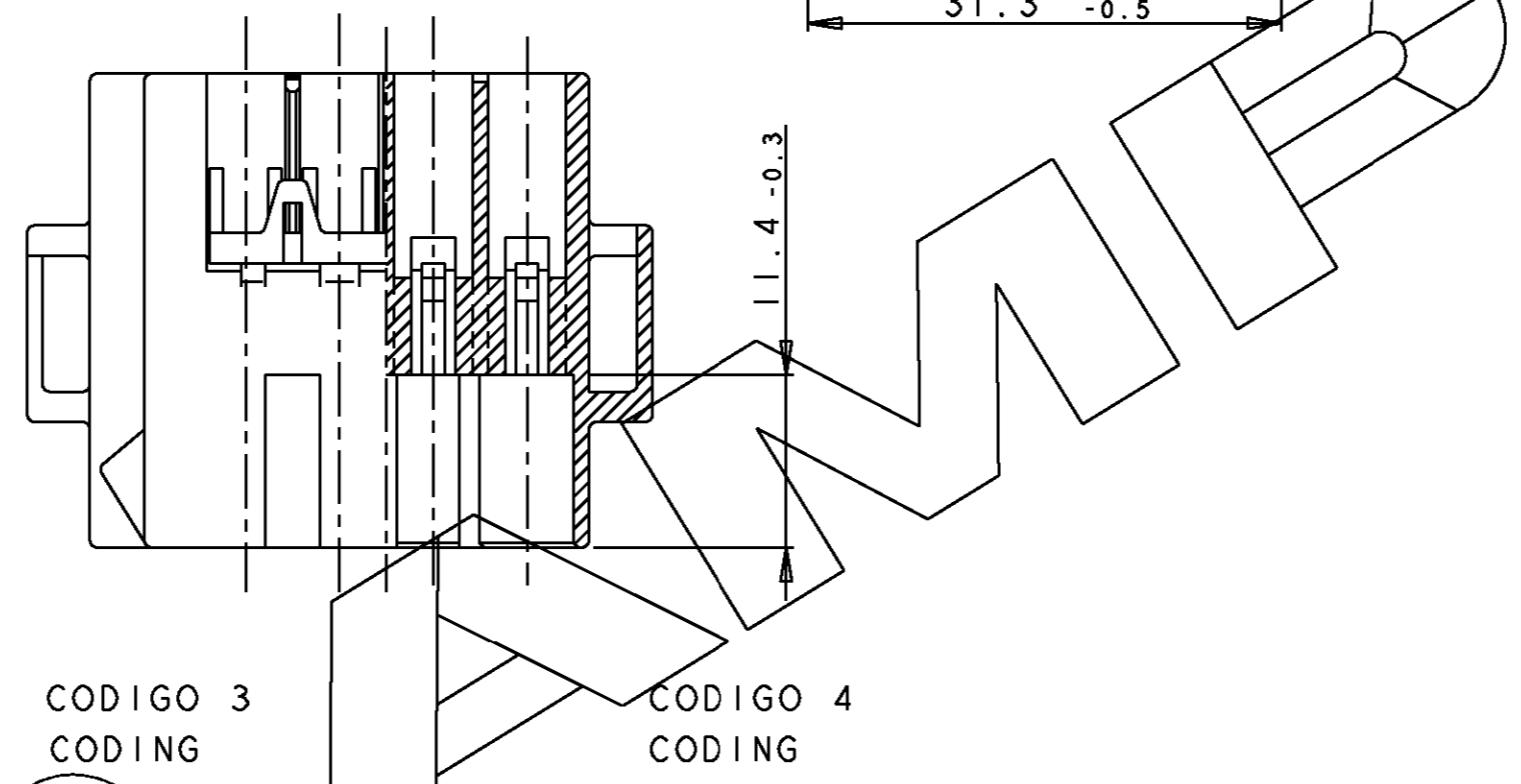
A



SECCION A-B SECTION



SECCION C-D SECTION

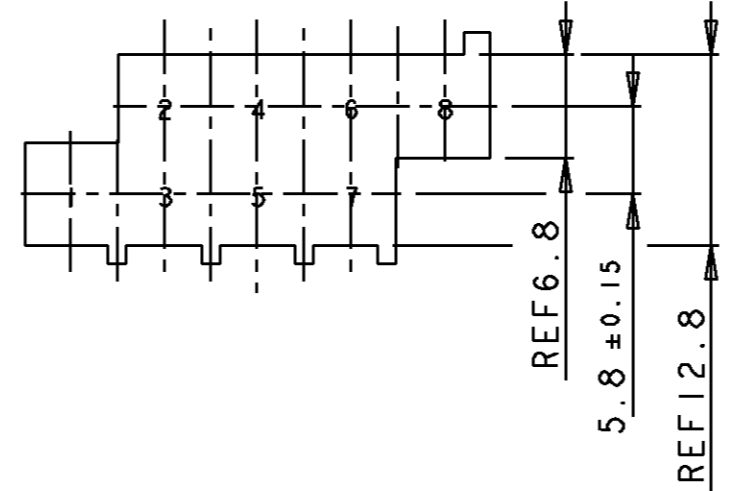
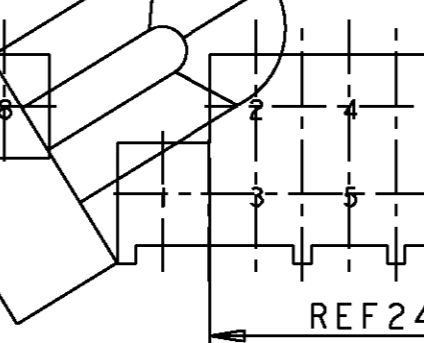
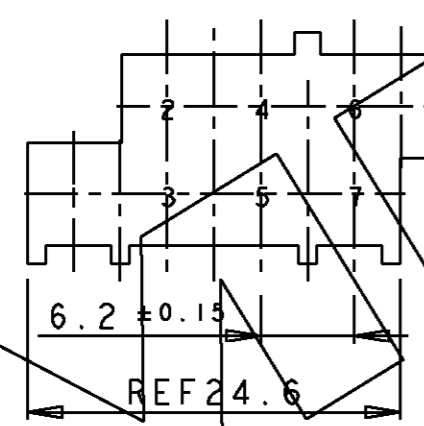
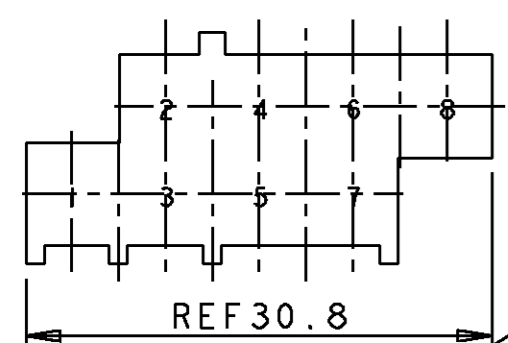


CODIGO 1 CODING

CODIGO 2 CODING

CODIGO 3 CODING

CODIGO 4 CODING



MATERIAL Y COLORES HAN DE ESTAR LIBRES DE CADMIUM
 1 MATERIAL AND COLORS ARE FREE OF CADMIUM
 ALTURA LETRA 2
 2 CHARACTER HEIGHT 2
 ALTURA LETRA 1
 3 CHARACTER HEIGHT 1
 4 USAR CON 365064
 FITTING WITH 365064
 5 LAS PIEZAS DEBEN IR EMPAQUETADAS HERMETICAMENTE
 Y SU CONTENIDO DE HUMEDAD DEBE SER 2.5±1%
 PARTS MUST BE AIR TIGHT PACKAGED,
 MOISTURE CONTENT MUST BE 2.5±1%

P 4.2 INSULATION AISLANTE

DETALLE CAJA CON BISAGRA CERRADA HOUSING WITH CLOSED FLAP

CUSTOMER DWG

Code NO.	Part Number	Material	Finish Colour	GENERAL TOLERANCES	Format	DWG NO.
CODE 4	365063-4	PA 6.6	YELLOW	±0.2	C	365063
CODE 3	365063-3	PA 6.6	BLACK	±1*		
CODE 2	365063-2	PA 6.6	GREY			
CODE 1	365063-1	PA 6.6	NATUR			
DR	19.11.84 R.ULLRICH	CHK	15-6-93 J.PASCUAL	APP	15-6-93 L.BATLLO	SCALE 2:1 REV. DWG : F SHEET 1 OF 1

AMP ESPAÑOLA, S.A. BARCELONA - SPAIN

8 POS. TAB-HOUSING

LOC AL DIST 2