

4

3

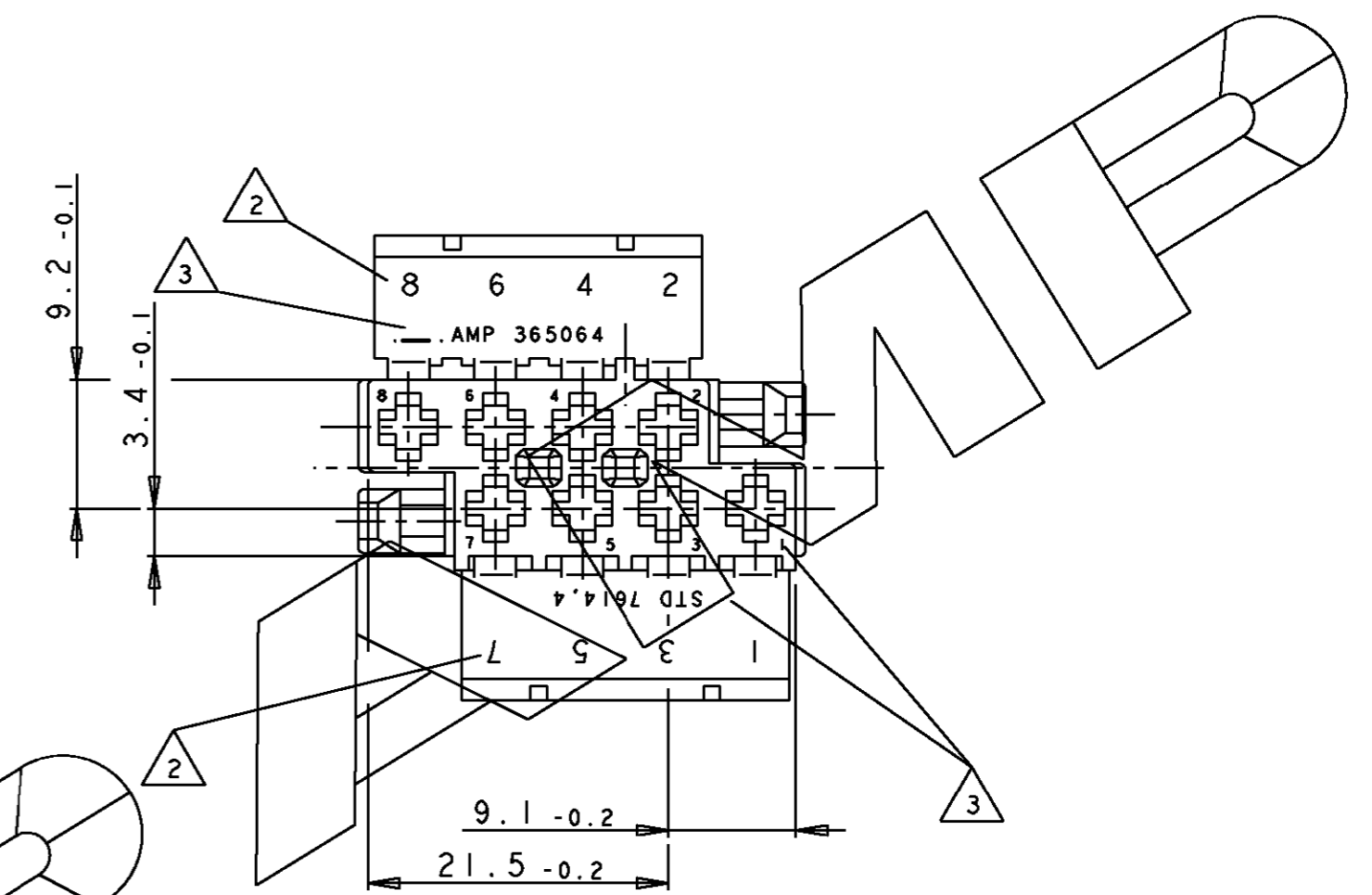
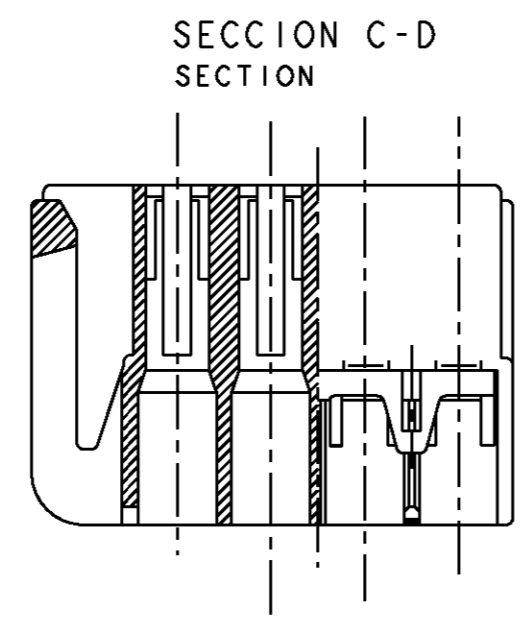
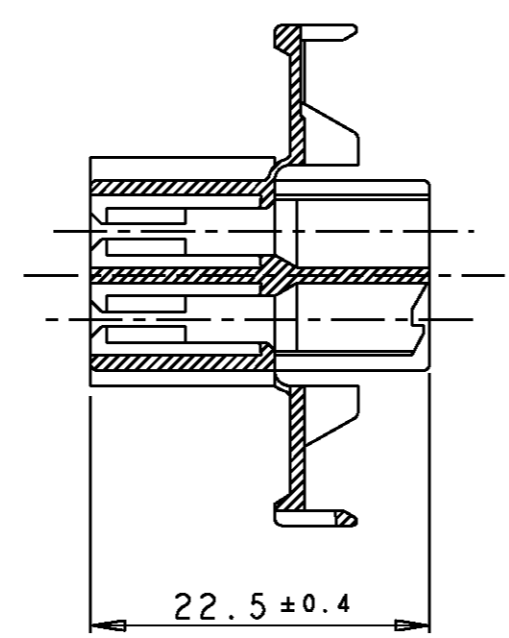
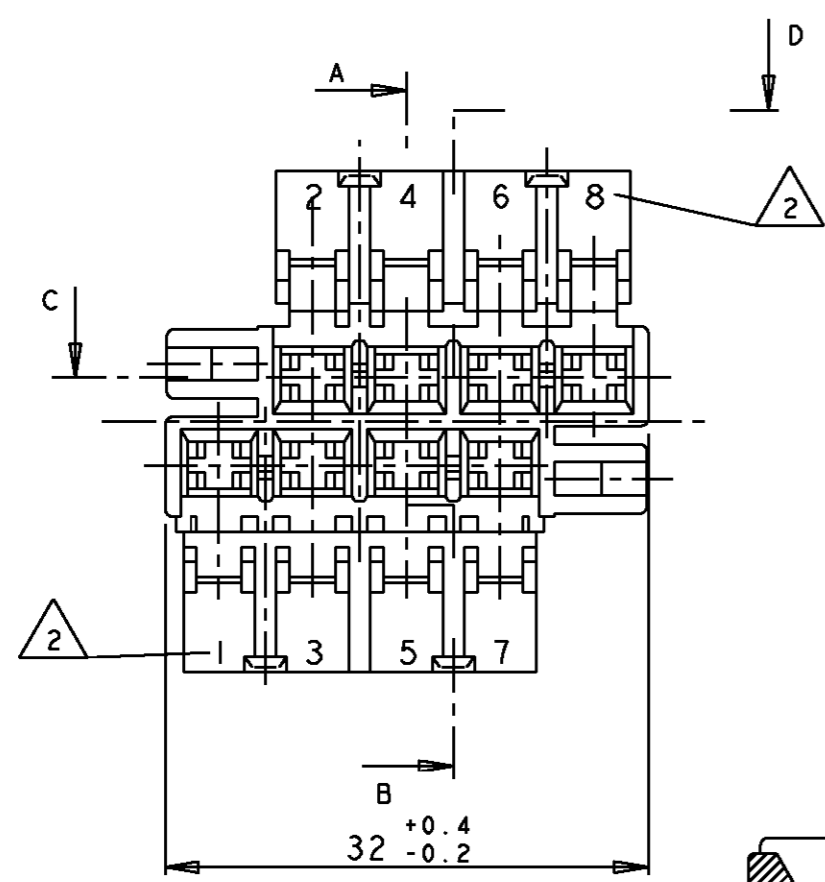
2

1

CAD-Original

| Index | Description | Date | Name |
|-------|--|-----------|------------|
| A | REDRAWN | 18.02.85 | ULLRICH |
| B | CONTOUR AND DIMENSION | 13.10.86 | M. KLAUTKE |
| C | REDRAWN | 28 JUL 87 | H. BOUDA |
| D | TRANSFERRED TO AMPES PER EC ES00-1753-93 | 15-6-93 | J. PASCUAL |
| E | SEE EC ES00-0023-03 | 10-2-03 | A. HERRANZ |

SECCION A-B SECTION

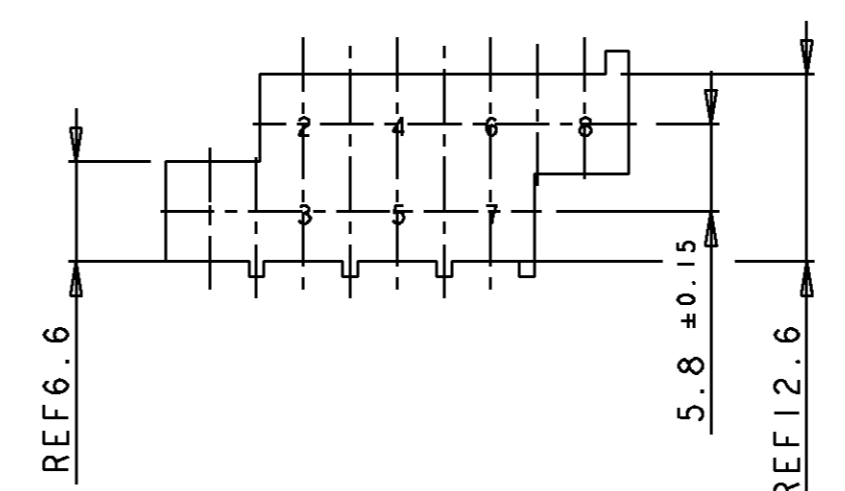
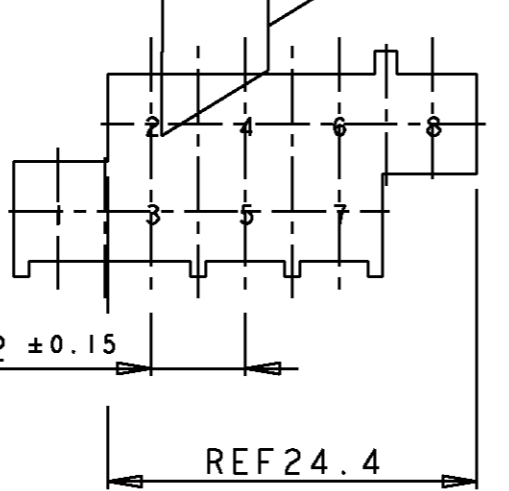
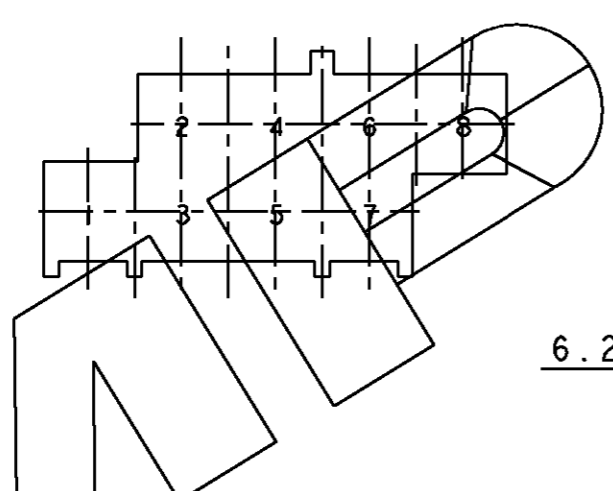
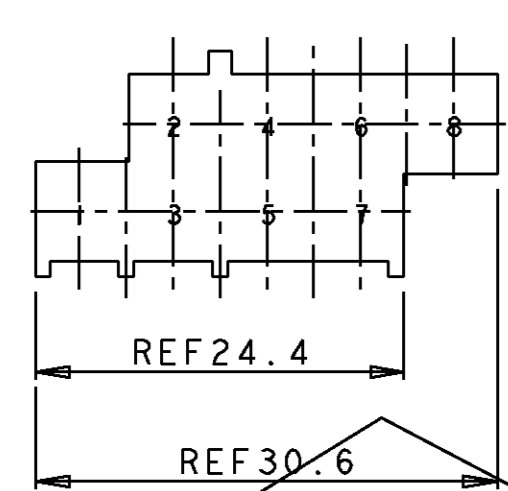


CODIGO 1 CODING

CODIGO 2 CODING

CODIGO 3 CODING

CODIGO 4 CODING



MATERIAL Y COLORES HAN DE ESTAR LIBRES DE CADMIUM
 MATERIAL AND COLORS ARE FREE OF CADMIUM
 ALTURA LETRA 2
 CHARACTER HEIGHT 2
 ALTURA LETRA 1
 CHARACTER HEIGHT 1
 USAR CON 365063
 FITTING WITH 365063
 LAS PIEZAS DEBEN IR EMPAQUETADAS HERMETICAMENTE
 Y SU CONTENIDO DE HUMEDAD DEBE SER 2.5±1%
 PARTS MUST BE AIR TIGHT PACKAGED,
 MOISTURE CONTENT MUST BE 2.5±1%

P 4.2 INSULATION AISLANTE

DETALLE CAJA CON BISAGRA CERRADA HOUSING WITH CLOSED FLAP

CUSTOMER DWG

| Code NO. | Part Number | Material | Finish Colour | GENERAL TOLERANCES | Format | DWG NO. |
|----------|-------------|----------|---------------|--------------------|-----------|---------|
| CODE 4 | 365064-4 | PA 6.6 | YELLOW | ±0.2 mm | C | 365064 |
| CODE 3 | 365064-3 | PA 6.6 | BLACK | ±1" | | |
| CODE 2 | 365064-2 | PA 6.6 | GREY | | | |
| CODE 1 | 365064-1 | PA 6.6 | NATUR | | | |
| DR | 15.10.84 | CHK | 15-6-93 | APP | 15-6-93 | |
| | R.ULLRICH | | J.PASCUAL | | L. BATLLO | |

AMP AMP ESPAÑOLA, S.A.
BARCELONA - SPAIN

NAME: 8 POS. HOUSING FOR JUNIOR TIMER CONTACT

SCALE: 2:1 REV. DWG: E SHEET 1 OF 1

LOC AL DIST 2