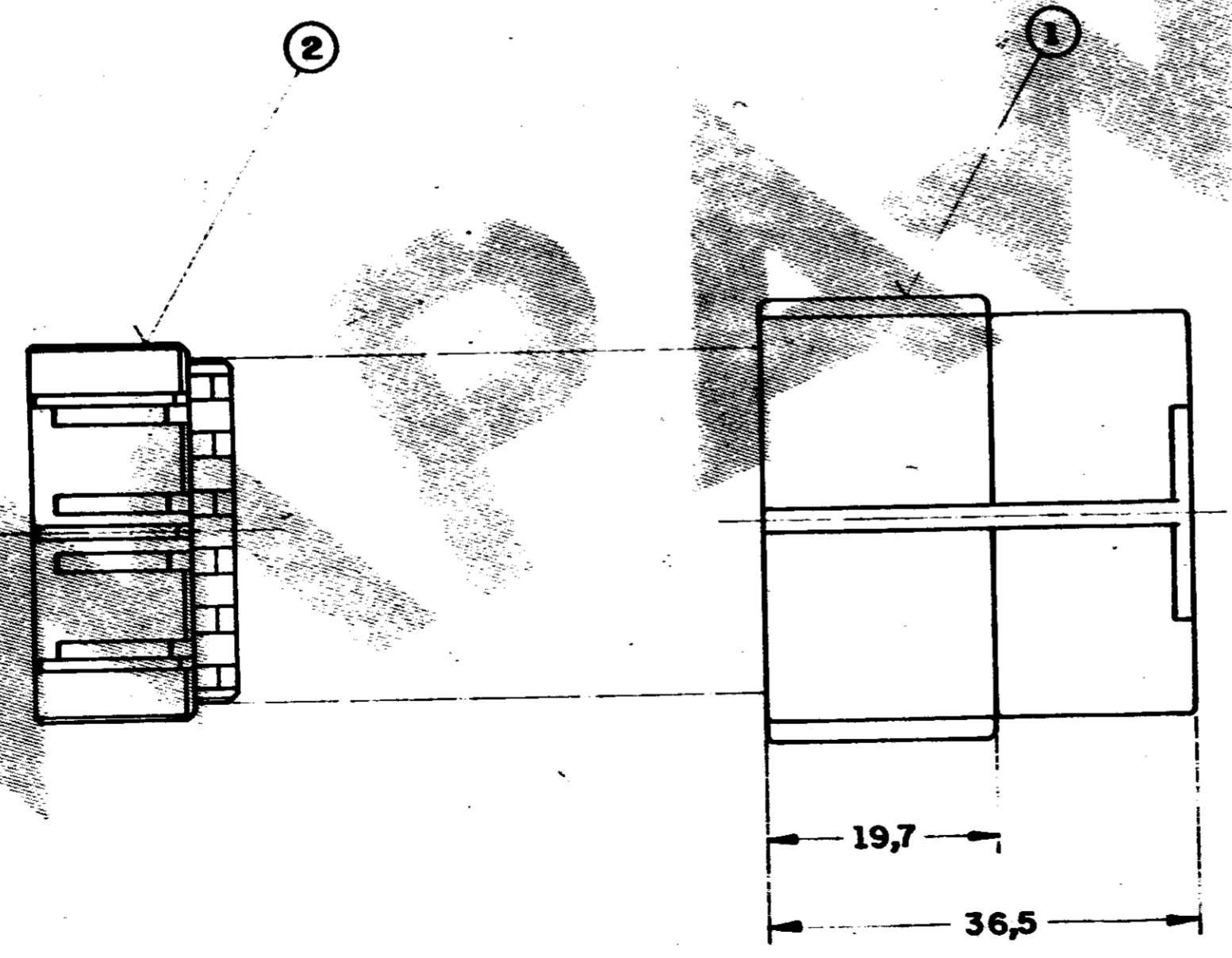
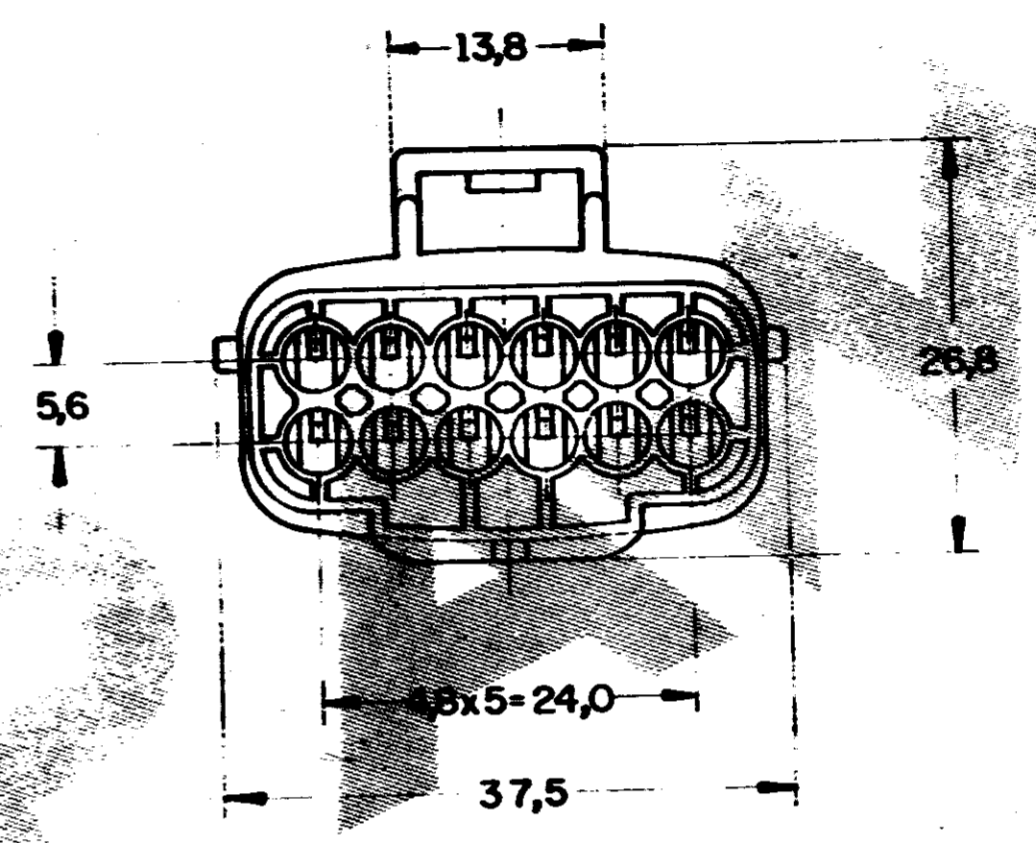
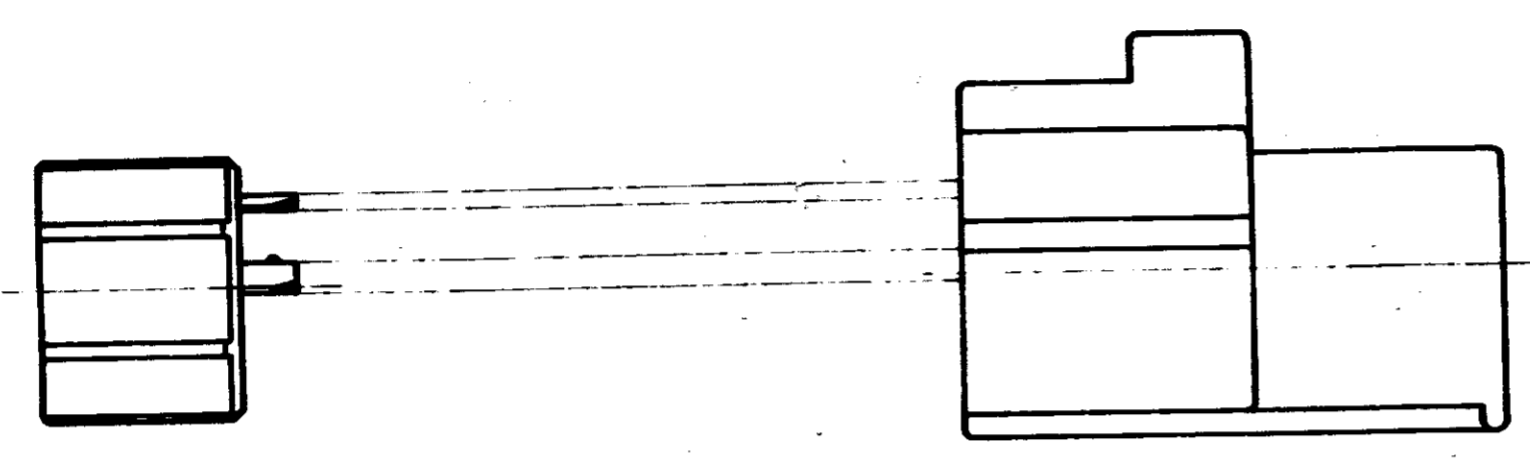


C4440101 of 1

444 010		DO NOT SCALE		<b>METRIC</b>		3rd ANGLE PROJECTION	
		DIMENSIONS IN mm.					
REQ. PER ASSY	ITEM	MATERIAL	DESCRIPTION			FINISH	
1	1	PBT	CAP. HSG. 12 POSN ECONOSEAL J - MARK II			PRETO BLACK	
1	2	PBT	DOUBLE LOCK 12 POSN ECONOSEAL J - MARK II			AMARELO YELLOW	



1 - OS ITENS 1 e 2 DEVEM SER FORNECIDOS DESMONTADOS.  
 - ITENS 1 AND 2 MUST BE SUPPLIED DISASSEMBLED.

OTHER TREATMENT	FINISH	MATERIAL	PART NUMBER
<b>CUSTOMER DWG</b> for REFERENCE ONLY			
<small>THIS DRAWING IS UNPUBLISHED   RELEASED FOR PUBLICATION</small>			
<small>COPYRIGHT BY AMP DO BRASIL LTDA S.P. ALL INTERNATIONAL RIGHTS RESERVED. AMP PRODUCTS ARE COVERED BY U.S. AND FOREIGN PATENTS AND/OR PATENTS PENDING.</small>			
<small>TOLERANCES UNLESS OTHERWISE STATED</small> DEC. ±0,3 ANGLES 21°		<small>INS. DIA RANGE</small> // - //	<small>WIRE RANGE</small> // - //
<small>DR</small> <small>CHK</small> <small>DE</small> <small>APP</small>		<b>AMP</b> AMP do BRASIL LTDA. São Paulo, Brasil	
<small>ERA P01-29022</small>		<small>DESCRIPTION</small> <b>KIT ECONOSEAL J 12 POSN.</b>	
<small>REVISION RECORD</small>		<b>A2</b>	<small>DWG NO</small> <b>C 444 010</b>
		<small>SHEET</small> <b>1 of 1</b>	