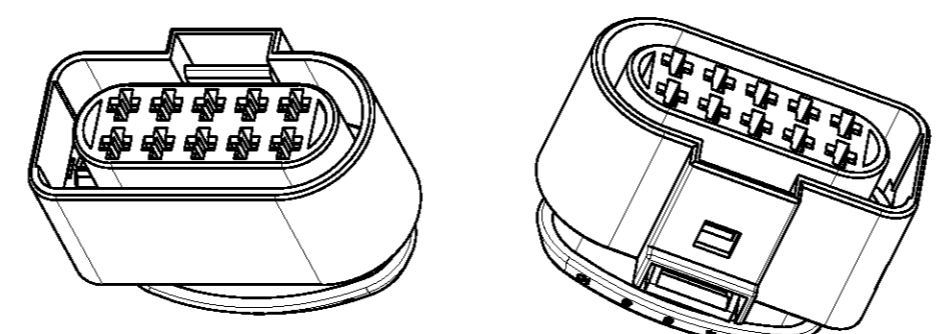
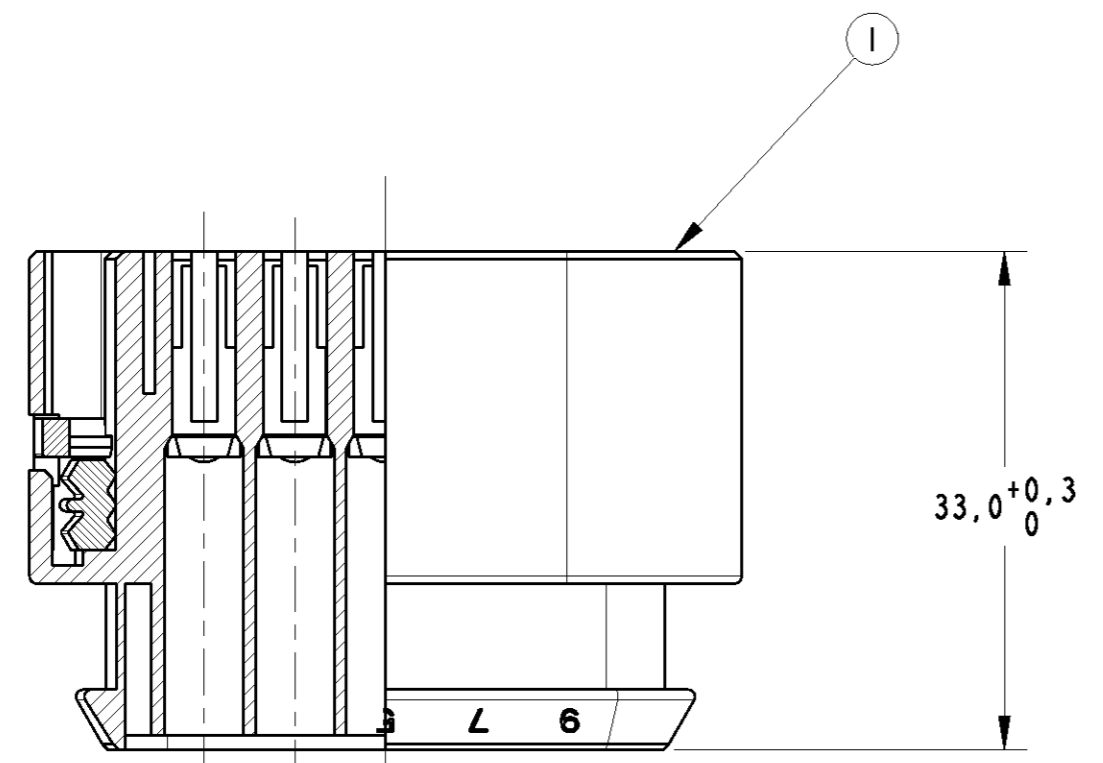
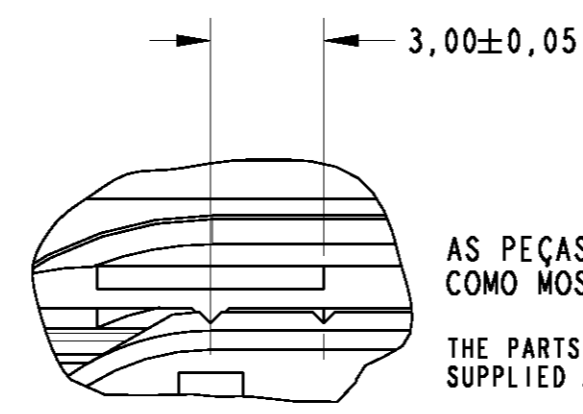
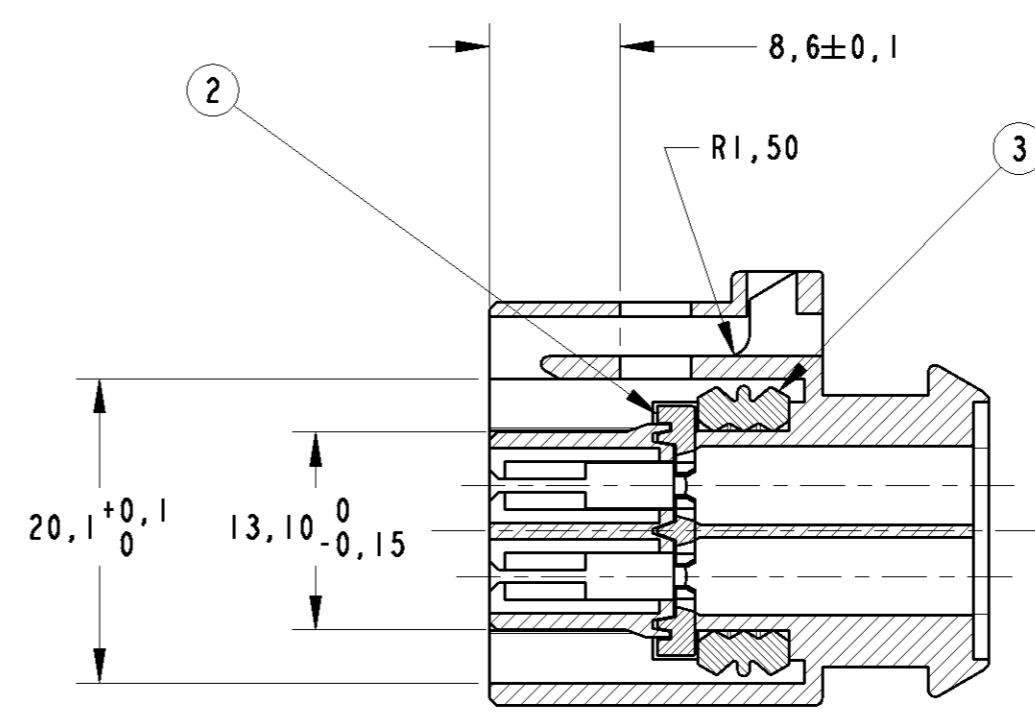
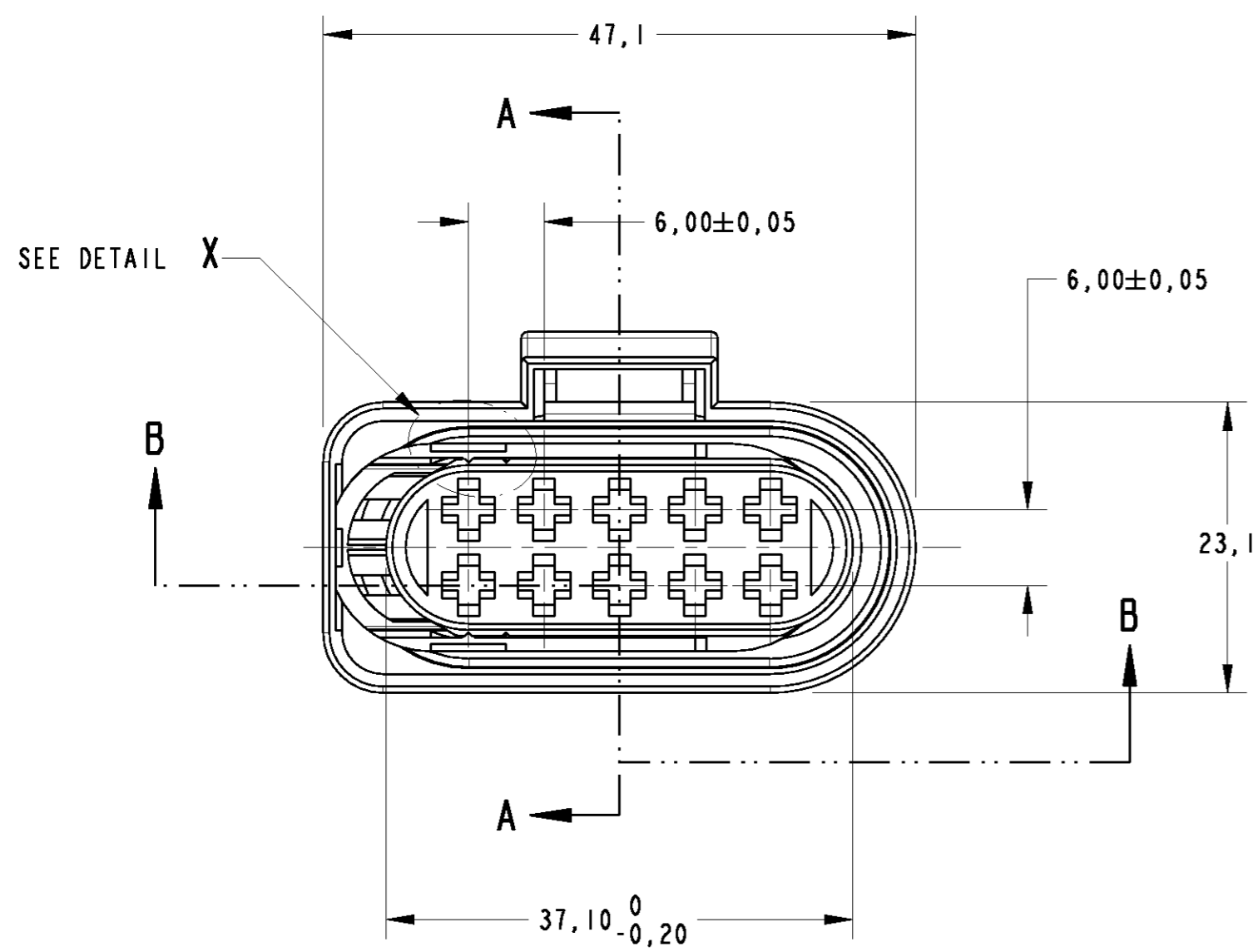


THIS DRAWING IS UNPUBLISHED. RELEASED FOR PUBLICATION
 © COPYRIGHT 20 BY TYCO ELECTRONICS CORPORATION. ALL RIGHTS RESERVED.

LOC		DIST		REVISIONS			
P	LTR	DESCRIPTION	DATE	DWN	APVD		
AP	-						
D		REVISED BY ECLE10-426/04	14DEC2004	AP	PLF		
E		REVISED BY ECO-09-012662	27MAY2009	EGS	GO		
E1		REVISED BY ECO-10-001969	03FEB2010	AP	CGM		



PERSPECTIVE VIEW
SCALE 1:1

- 1 - VER DESENHO DE CLIENTE RESTRITO 493577-1
 - 2 - USAR TERMINAIS CONFORME DESENHO DE CLIENTE 1355047.
 - 3 - CONTRA PEÇA TE UTILIZADA, VEJA DESENHO PN 493571.
 - 4 - CONTRA PEÇA REFERÊNCIA VEJA FOLHA 2 DE 2.
- 1 - SEE RESTRICTED CUSTOMER DRAWING 493577-1
 - 2 - USED WITH TERMINALS ACC. TO CUSTOMER DRAWING 1355047.
 - 3 - FOR TE MATING PART SEE PN DRAWING 493571.
 - 4 - FOR REFERENCE MATING PART SEE SHEET 2 OF 2

GRAVAÇÃO MARKING	
LOGOTIPO TE	TE LOGO
CÓDIGO PAÍS PRODUTOR	MANUFACTURER COUNTRY CODE
NOMENCLATURA MATERIAL	MATERIAL NOMENCLATURE
NÚMERO COMPONENTE TE	TE COMPONENT NUMBER
NÚMERO CAVIDADE	CAVITY NUMBER
IDENTIFICAÇÃO CIRCUITO	CIRCUIT IDENTIFICATION
PAÍS PRODUTOR	MANUFACTURER COUNTRY
REV+ LETRA REV.DA PEÇA	REV.+ PART REV.LETTER

REQ. PER ASS'Y	ITEM	DESCRIPTION	MATERIAL	FINISH
3	1	CONNECTOR SEAL	SILICONE	LARANJA/ORANGE
2	1	SLIDING LOCK, 10 POSN. J.P.TIMER RCPT.	PBT+10% FV /GF	VIOLETA/VIOLET
1	1	HSG., 10 POSN. J.P.TIMER, RCPT	PBT	PRETO/BLACK
493577				

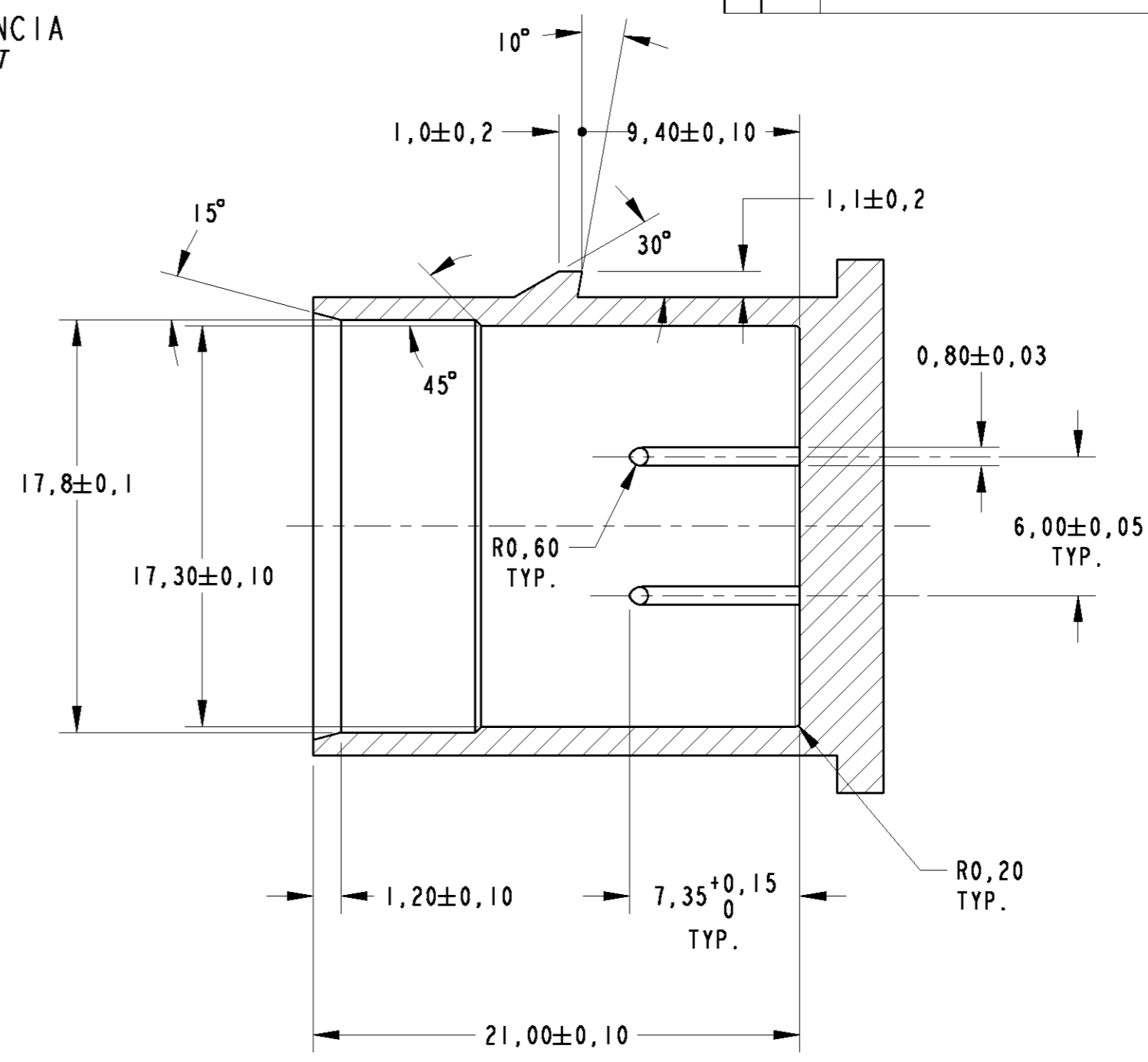
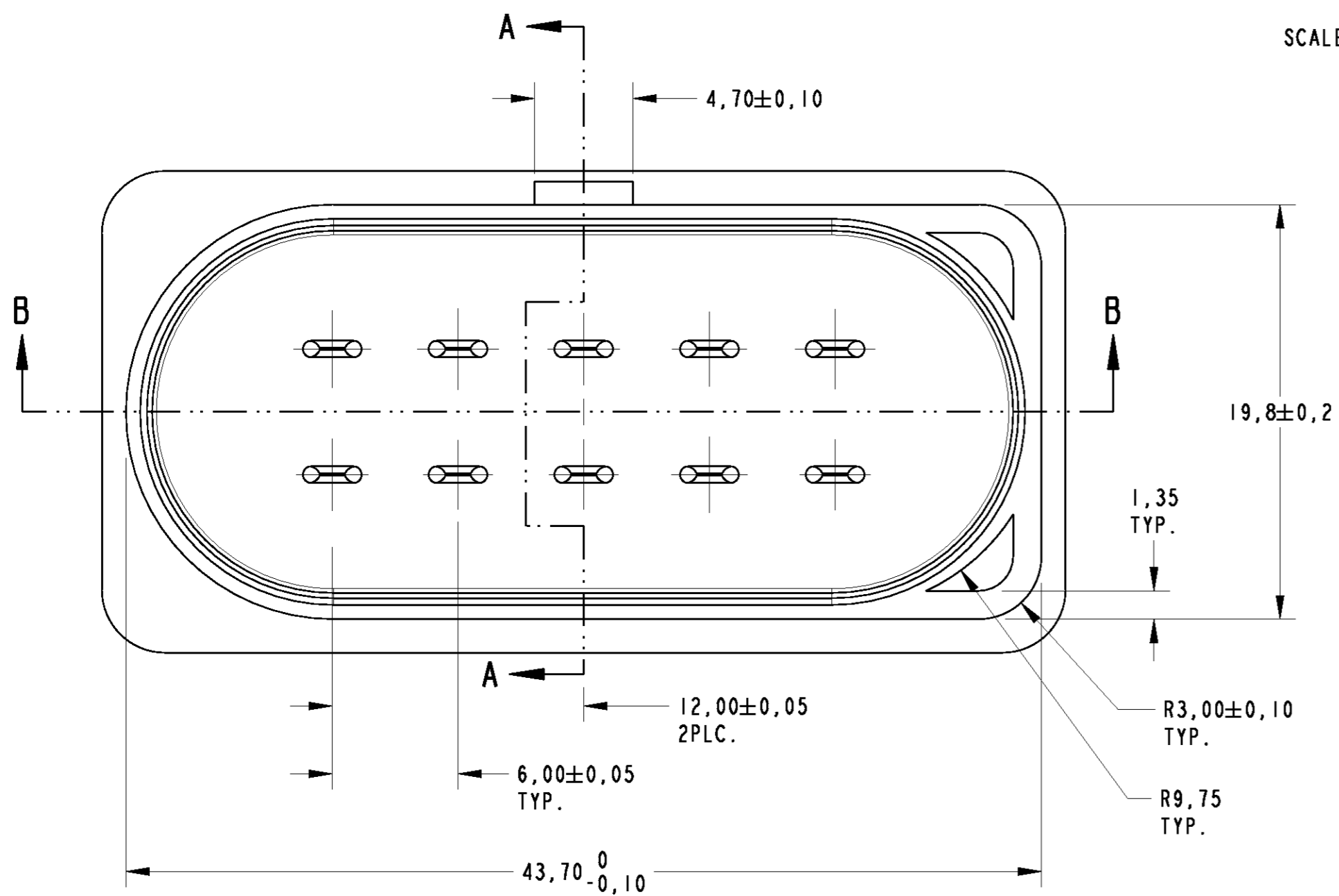
<small>THIS DRAWING IS A CONTROLLED DOCUMENT FOR TYCO ELECTRONICS CORPORATION. IT IS SUBJECT TO CHANGE AND THE CONTROLLING ENGINEERING ORGANIZATION SHOULD BE CONTACTED FOR THE LATEST REVISION.</small>		DWN N.C.LAPRESA 17JUN99 CHK P.L.FARIA 17JUN99 APVD P.R.SILVA 17JUN99	Tyco Electronics TYCO Electronics do Brasil LTDA. São Paulo, Brasil
DIMENSIONS: mm 		PRODUCT SPEC - APPLICATION SPEC - WEIGHT -	NAME HSG., 10 POSN. J.P.TIMER, RCPT SIZE A2 CAGE CODE 00779 DRAWING NO C-493577 RESTRICTED TO -
TOLERANCES UNLESS OTHERWISE SPECIFIED: 0 PLC ± 1 PLC ±0.2 2 PLC ± 3 PLC ± 4 PLC ± ANGLES ±1° FINISH		MATERIAL SEE TABLE SEE TABLE	SCALE 2:1 SHEET 1 OF 2 REV E1 CUSTOMER DRAWING

493577

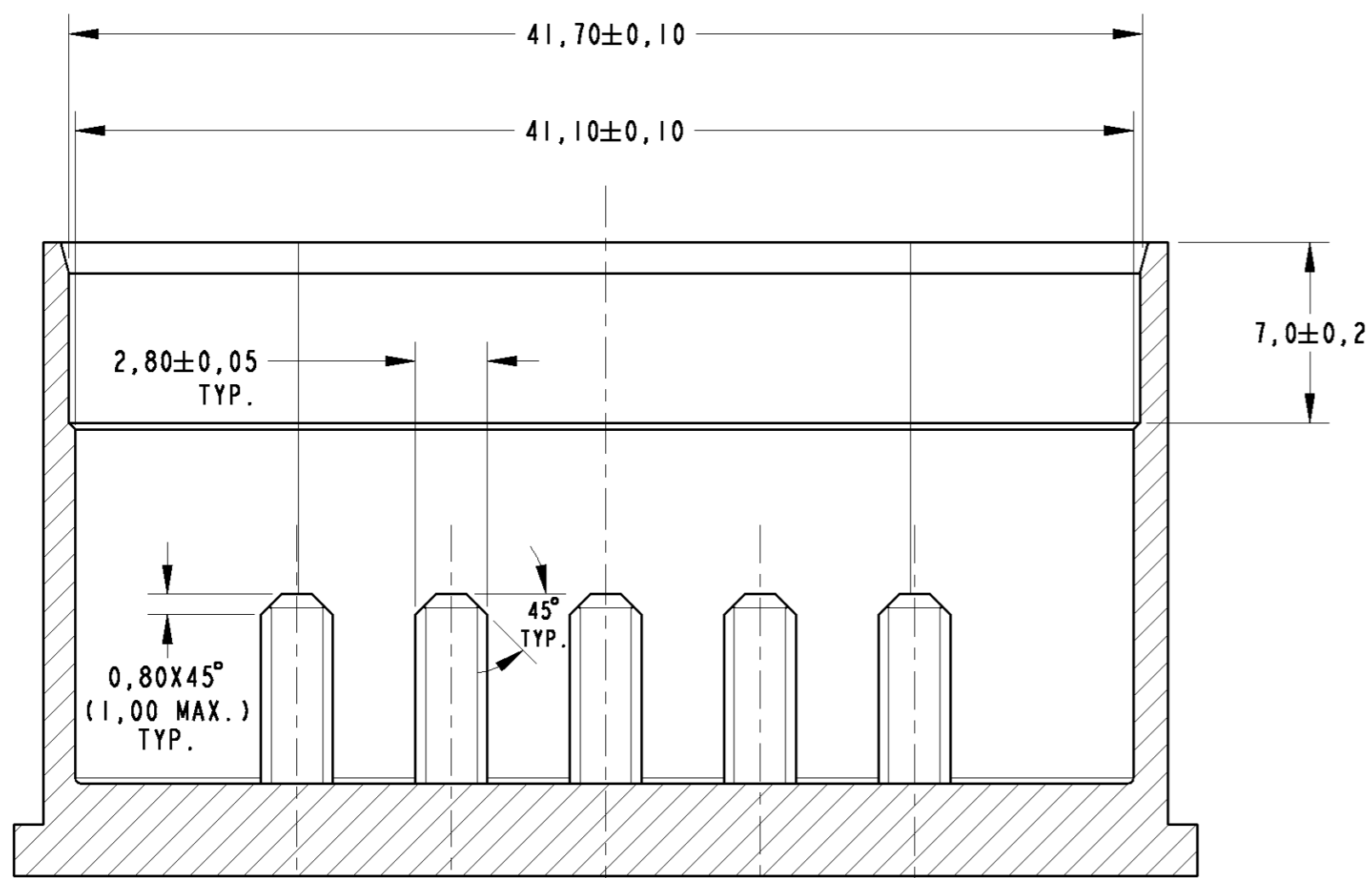
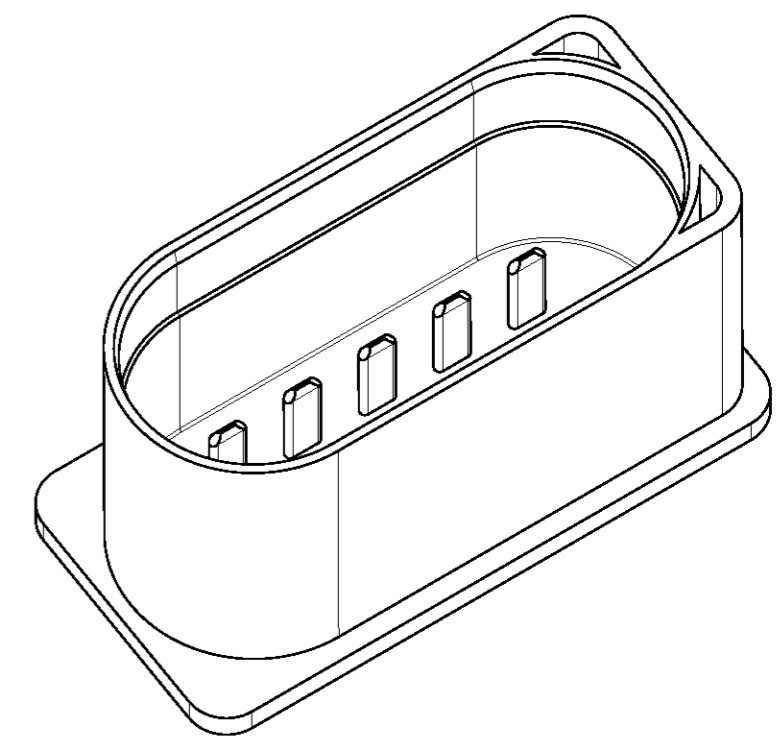
LOC	DIST	REVISIONS			
P	LTR	DESCRIPTION	DATE	DWN	APVD
-	-	SEE SHEET 1 OF 2	-	-	-

CONTRA PEÇA REFERÊNCIA
 REFERENCE MATING PART

SCALE 4:1



SECTION A-A



SECTION B-B

THIS DRAWING IS A CONTROLLED DOCUMENT FOR TYCO ELECTRONICS CORPORATION. IT IS SUBJECT TO CHANGE AND THE CONTROLLING ENGINEERING ORGANIZATION SHOULD BE CONTACTED FOR THE LATEST REVISION.		DWN N.C. LAPRESA 17 JUN 99	TYCO Electronics do Brasil LTDA. São Paulo, Brasil	
DIMENSIONS: mm		CHK P.L. FARIA 17 JUN 99	NAME HSG., 10 POSN. J.P. TIMER RCPT	
TOLERANCES UNLESS OTHERWISE SPECIFIED:		APVD P.R. SILVA 17 JUN 99	SIZE A2	
0 PLC ±		PRODUCT SPEC	CAGE CODE 00779	DRAWING NO C-493577
1 PLC ±		APPLICATION SPEC	RESTRICTED TO	
2 PLC ±		WEIGHT	-	
3 PLC ±		SCALE	-	
4 PLC ±		SHEET	2 OF 2	
ANGLES ±		REV	E1	
FINISH		CUSTOMER DRAWING		
SEE SHT 1 OF 2		SEE SHT 1 OF 2		