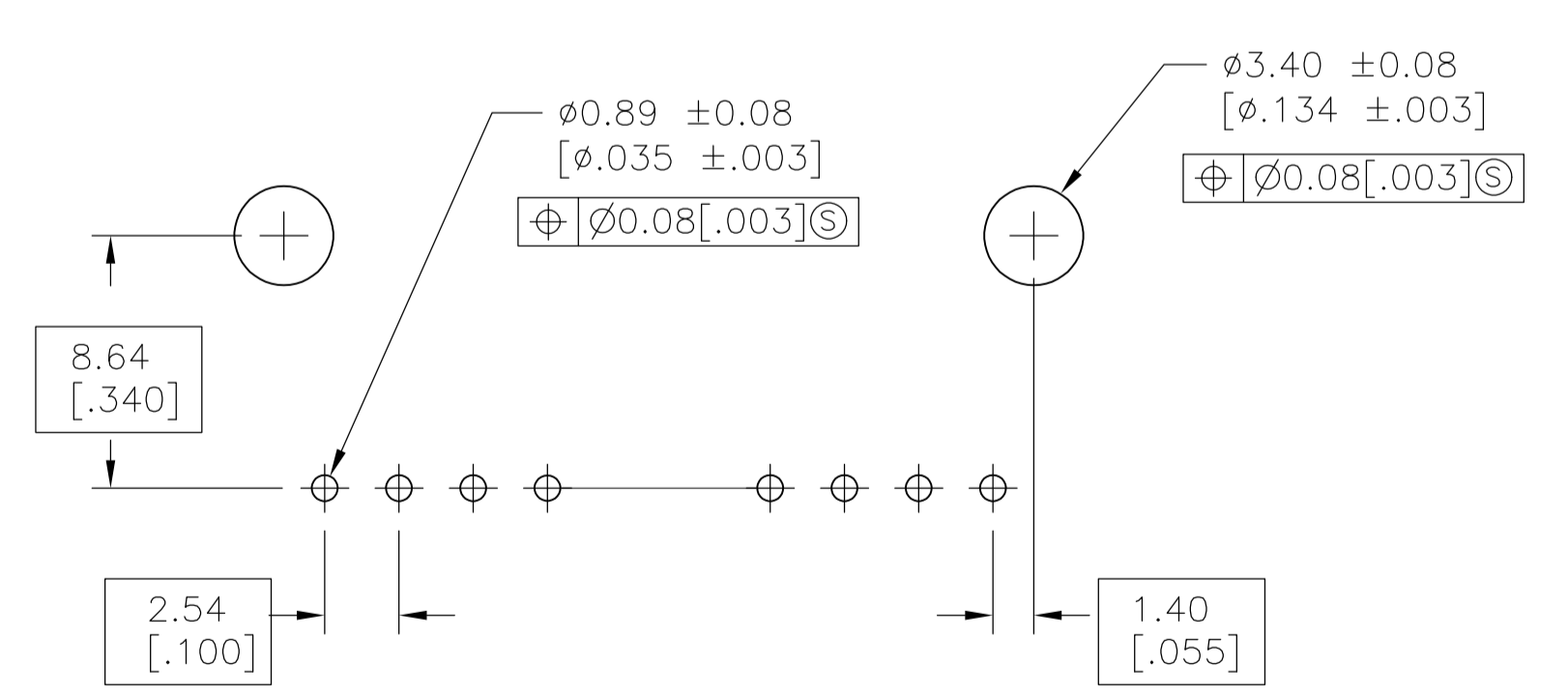
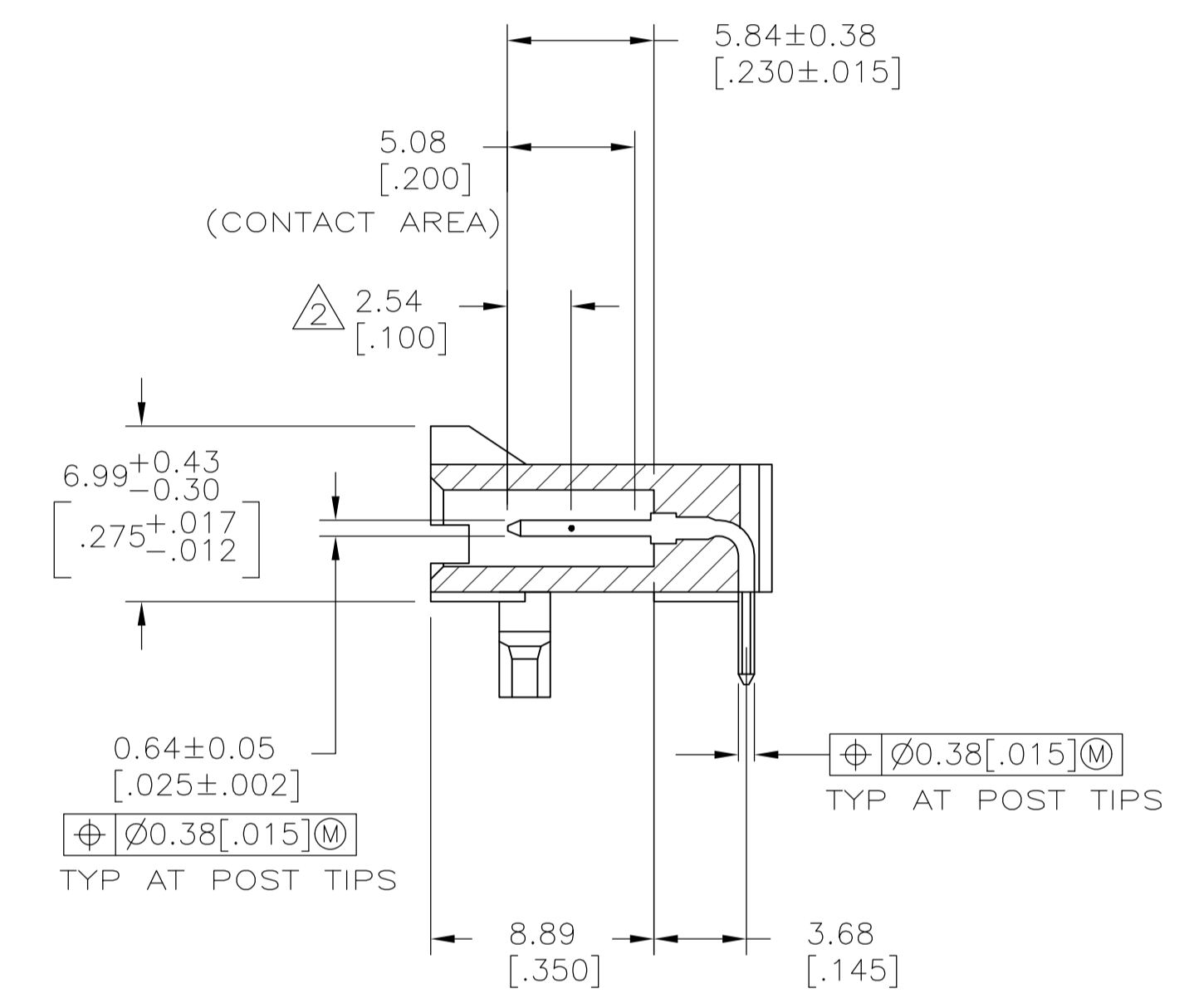
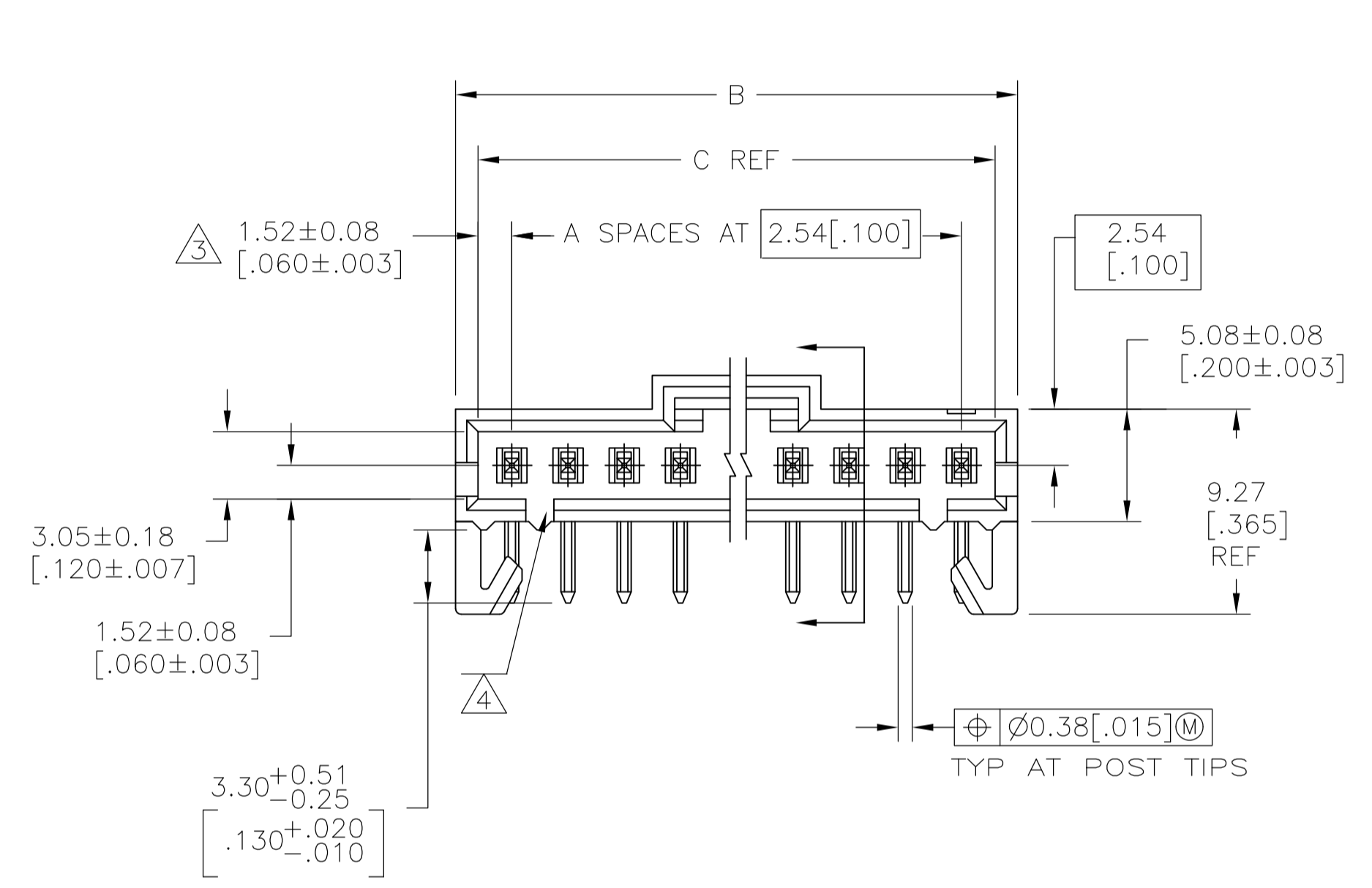
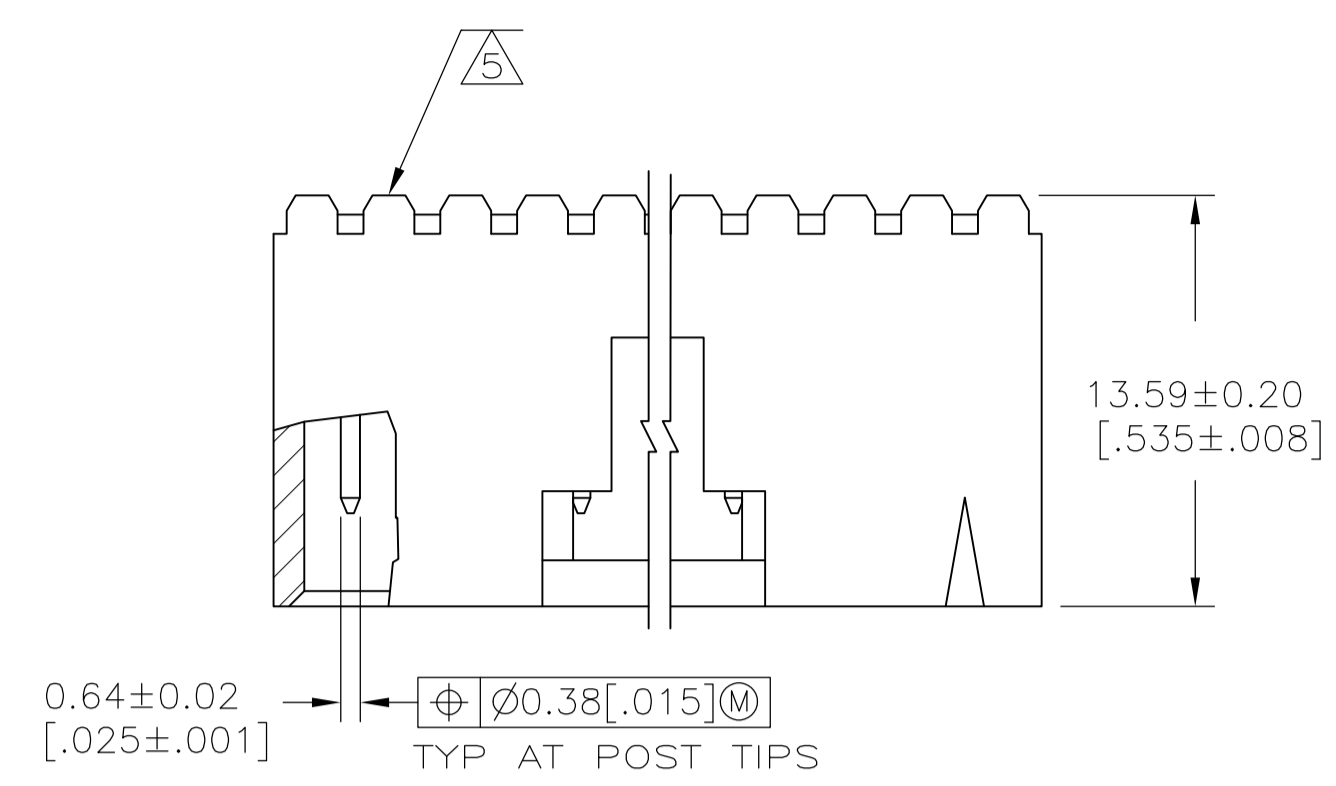


| LOC | | DIST | | REVISIONS | | | |
|-----|-----|---------------------------|---------|-----------|------|--|--|
| P | LTR | DESCRIPTION | DATE | DWN | APVD | | |
| AD | 39 | | | | | | |
| | AC1 | ECO-05-14135 | 20DEC05 | MB | JG | | |
| | AC2 | REVISED PER ECO-09-021826 | 09JAN10 | KK | AEG | | |



RECOMMENDED HOLE LAYOUT

| | | | | |
|--|--|---|---|--|
| THIS DRAWING IS A CONTROLLED DOCUMENT. | | DIN R BROWN 09FEB01 | Tyco Electronics Corporation Harrisburg, PA 17105-3608 | |
| DIMENSIONS: mm | | CHK K WRIGHT 09FEB01 | NAME | |
| TOLERANCES UNLESS OTHERWISE SPECIFIED: | | APVD K WRIGHT 09FEB01 | HDR ASSY, RTANG, SINGLE ROW | |
| 0. PLC ± - | | PRODUCT SPEC | | |
| 1. PLC ± - | | 108-25034 | | |
| 2. PLC ± 0.13[.005] | | APPLICATION SPEC | | |
| 3. PLC ± - | | 114-25026 | | |
| 4. PLC ANGLES ± - | | SIZE CAGE CODE DRAWING NO | | |
| MATERIAL SEE NOTE 7 | | WEIGHT - A1 00779 C=103672 | | |
| FINISH SEE TABLE | | CUSTOMER DRAWING SCALE 4:1 SHEET 1 OF 2 REV AC2 | | |

- 1 .000100 BRIGHT TIN-LEAD OVER .000050 NICKEL.
- 2 POINT OF MEASUREMENT FOR PLATING THICKNESS.
- 3 THE NOTED DIMENSIONS APPLY AT THE INTERSECTION OF THE POST AND THE HOUSING.
- 4 ON ASSEMBLIES WITH FOUR OR MORE POSITIONS, TWO POLARIZATION SLOTS.
ON ASSEMBLIES WITH TWO OR THREE POSITIONS, ONE POLARIZATION SLOT.
- 5 AMP TRADEMARK MOLDED ON THIS SURFACE.
- 6 FOR USE WITH 1.57±0.20[.062±.008] PRINTED CIRCUIT BOARD.
- MATERIAL: HOUSING- FLAME RETARDANT THERMOPLASTIC, COLOR-BLACK.
POSTS- BRASS.
- 8 .000100 BRIGHT TIN OVER .000050 NICKEL.
- 9 PRELIMINARY PART - NOT RELEASED FOR PRODUCTION.
- 10 .000100 MATTE TIN OVER .000050 NICKEL.
- 11 HIGH TEMPERATURE CONFIGURATION
- 12 OBSOLETE PARTS: OBSOLETE CIS STREAMLINING PER D.RENAUD/D.SINISI

| REMARKS | PLATING | C | B | A | NO. OF POSN | PART NO. |
|---------|---------|------------------|------------------|----|-------------|---------------|
| | | 64.01 [2.520] | 66.04 [2.600] | 24 | 25 | 12 7-103672-4 |
| | | 61.47 [2.420] | 63.50 [2.500] | 23 | 24 | 12 7-103672-3 |
| | | 58.93 [2.320] | 60.96 [2.400] | 22 | 23 | 12 7-103672-2 |
| | | 56.39 [2.220] | 58.42 [2.300] | 21 | 22 | 12 7-103672-1 |
| | | 53.85 [2.120] | 55.88 [2.200] | 20 | 21 | 12 7-103672-0 |
| | | 51.31 [2.020] | 53.34 [2.100] | 19 | 20 | 6-103672-9 |
| | | 48.77 [1.920] | 50.80 [2.000] | 18 | 19 | 12 6-103672-8 |
| | | 46.23 [1.820] | 48.26 [1.900] | 17 | 18 | 12 6-103672-7 |
| | | 43.69 [1.720] | 45.72 [1.800] | 16 | 17 | 12 6-103672-6 |
| | | 41.15 [1.620] | 43.18 [1.700] | 15 | 16 | 6-103672-5 |
| | | 38.61 [1.520] | 40.64 [1.600] | 14 | 15 | 12 6-103672-4 |
| | | 36.07 [1.420] | 38.10 [1.500] | 13 | 14 | 12 6-103672-3 |
| | | 33.53 [1.320] | 35.56 [1.400] | 12 | 13 | 12 6-103672-2 |
| | | 30.99 [1.220] | 33.02 [1.300] | 11 | 12 | 6-103672-1 |
| | | 28.45 [1.120] | 30.48 [1.200] | 10 | 11 | 12 6-103672-0 |
| | | 25.91 [1.020] | 27.94 [1.100] | 9 | 10 | 5-103672-9 |
| | | 23.37 [.920] | 25.40 [1.000] | 8 | 9 | 12 5-103672-8 |
| | | 20.83 [.820] | 22.86 [.900] | 7 | 8 | 5-103672-7 |
| | | 18.29 [.720] | 20.32 [.800] | 6 | 7 | 5-103672-6 |
| | | 15.75 [.620] | 17.78 [.700] | 5 | 6 | 5-103672-5 |
| | | 13.21 [.520] | 15.24 [.600] | 4 | 5 | 5-103672-4 |
| | | 10.67 [.420] | 12.70 [.500] | 3 | 4 | 5-103672-3 |
| | | 8.13 [.320] | 10.16 [.400] | 2 | 3 | 5-103672-2 |
| | | 5.59 [.220] | 7.62 [.300] | 1 | 2 | 5-103672-1 |

| REMARKS | PLATING | C | B | A | NO. OF POSN | PART NO. |
|---------|---------|------------------|------------------|----|-------------|---------------|
| | | 25.91 [1.020] | 27.94 [1.100] | 9 | 10 | 3-103672-0 |
| | | 15.75 [.620] | 17.78 [.700] | 5 | 6 | 2-103672-9 |
| | | 5.59 [.220] | 7.62 [.300] | 1 | 2 | 2-103672-8 |
| | | 13.21 [.520] | 15.24 [.600] | 4 | 5 | 2-103672-7 |
| | | 10.67 [.420] | 12.70 [.500] | 3 | 4 | 2-103672-6 |
| | | 8.13 [.320] | 10.16 [.400] | 2 | 3 | 2-103672-5 |
| | | 64.01 [2.520] | 66.04 [2.600] | 24 | 25 | 12 2-103672-4 |
| | | 61.47 [2.420] | 63.50 [2.500] | 23 | 24 | 12 2-103672-3 |
| | | 58.93 [2.320] | 60.96 [2.400] | 22 | 23 | 12 2-103672-2 |
| | | 56.39 [2.220] | 58.42 [2.300] | 21 | 22 | 12 2-103672-1 |
| | | 53.85 [2.120] | 55.88 [2.200] | 20 | 21 | 12 2-103672-0 |
| | | 51.31 [2.020] | 53.34 [2.100] | 19 | 20 | 12 1-103672-9 |
| | | 48.77 [1.920] | 50.80 [2.000] | 18 | 19 | 12 1-103672-8 |
| | | 46.23 [1.820] | 48.26 [1.900] | 17 | 18 | 12 1-103672-7 |
| | | 43.69 [1.720] | 45.72 [1.800] | 16 | 17 | 12 1-103672-6 |
| | | 41.15 [1.620] | 43.18 [1.700] | 15 | 16 | 1-103672-5 |
| | | 38.61 [1.520] | 40.64 [1.600] | 14 | 15 | 1-103672-4 |
| | | 36.07 [1.420] | 38.10 [1.500] | 13 | 14 | 12 1-103672-3 |
| | | 33.53 [1.320] | 35.56 [1.400] | 12 | 13 | 12 1-103672-2 |
| | | 30.99 [1.220] | 33.02 [1.300] | 11 | 12 | 1-103672-1 |
| | | 28.45 [1.120] | 30.48 [1.200] | 10 | 11 | 1-103672-0 |
| | | 25.91 [1.020] | 27.94 [1.100] | 9 | 10 | 103672-9 |
| | | 23.37 [.920] | 25.40 [1.000] | 8 | 9 | 103672-8 |
| | | 20.83 [.820] | 22.86 [.900] | 7 | 8 | 103672-7 |
| | | 18.29 [.720] | 20.32 [.800] | 6 | 7 | 103672-6 |
| | | 15.75 [.620] | 17.78 [.700] | 5 | 6 | 103672-5 |
| | | 13.21 [.520] | 15.24 [.600] | 4 | 5 | 103672-4 |
| | | 10.67 [.420] | 12.70 [.500] | 3 | 4 | 103672-3 |
| | | 8.13 [.320] | 10.16 [.400] | 2 | 3 | 103672-2 |
| | | 5.59 [.220] | 7.62 [.300] | 1 | 2 | 103672-1 |

THIS DRAWING IS A CONTROLLED DOCUMENT.

DIMENSIONS: mm

TOLERANCES UNLESS OTHERWISE SPECIFIED:
 0 PLC ± -
 1 PLC ± -
 2 PLC ± 0.13[.005]
 3 PLC ± -
 4 PLC ± -
 ANGLES ± -

MATERIAL: SEE NOTE 7

FINISH: SEE TABLE

THIS DRAWING IS A CONTROLLED DOCUMENT.

DIN R BROWN 09FEB01
 CHK K WRIGHT 09FEB01
 APVD K WRIGHT 09FEB01

Tyco Electronics Corporation
 Harrisburg, PA 17105-3608

NAME: HDR ASSY, RTANG, SINGLE ROW
 PRODUCT SPEC: 108-25034
 APPLICATION SPEC: 114-25026

SIZE: A1
 CAGE CODE: 00779
 DRAWING NO: 103672

RESTRICTED TO: -

CUSTOMER DRAWING SCALE: 4:1 SHEET 2 OF 2 REV AC2