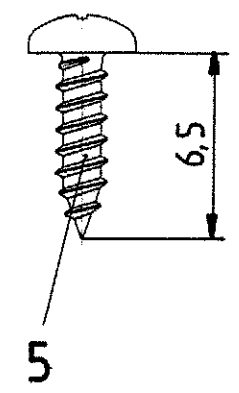
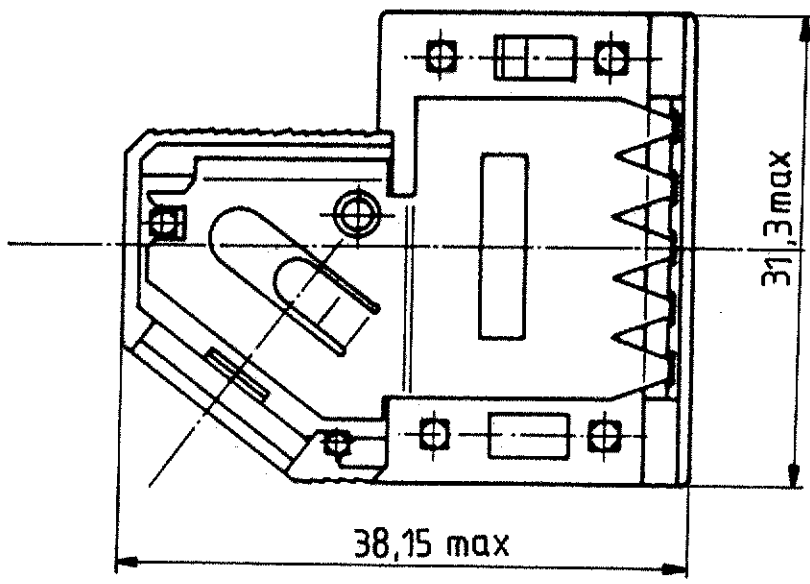
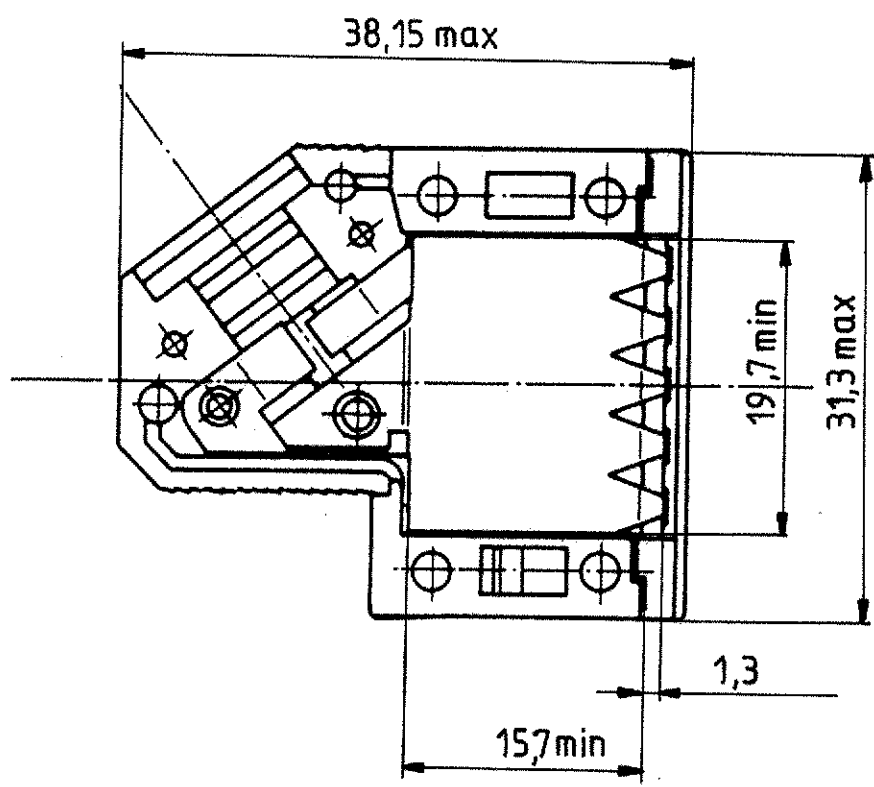
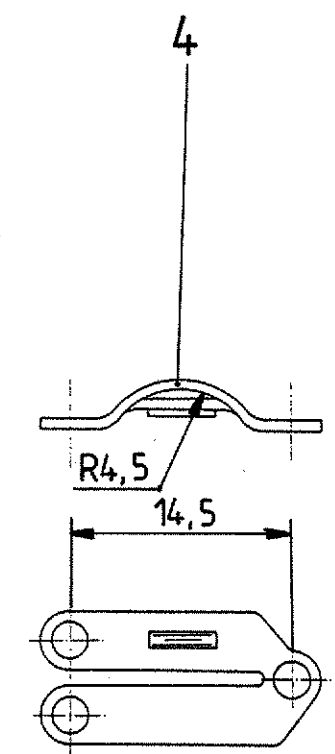
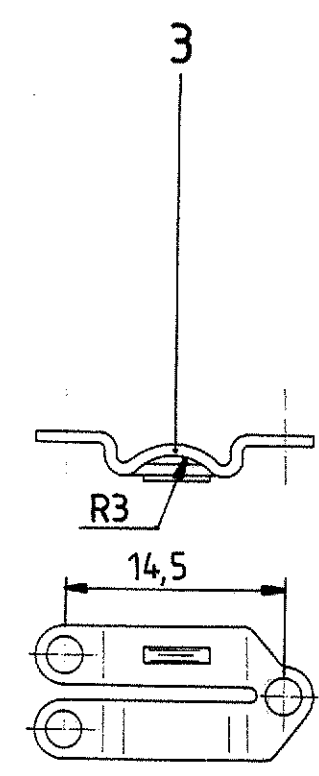
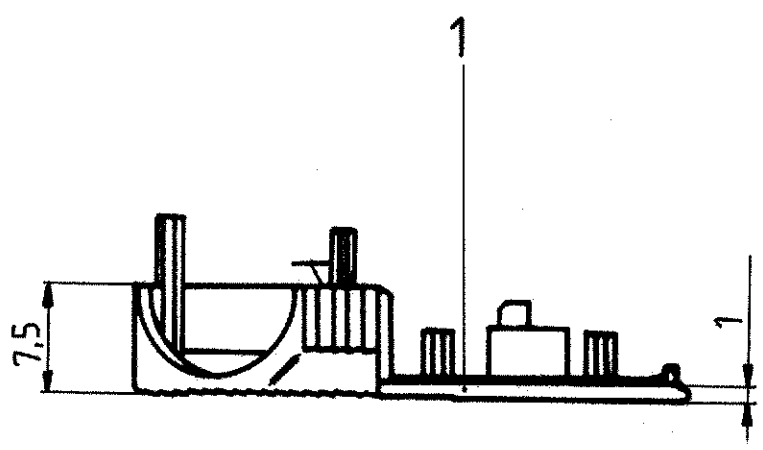
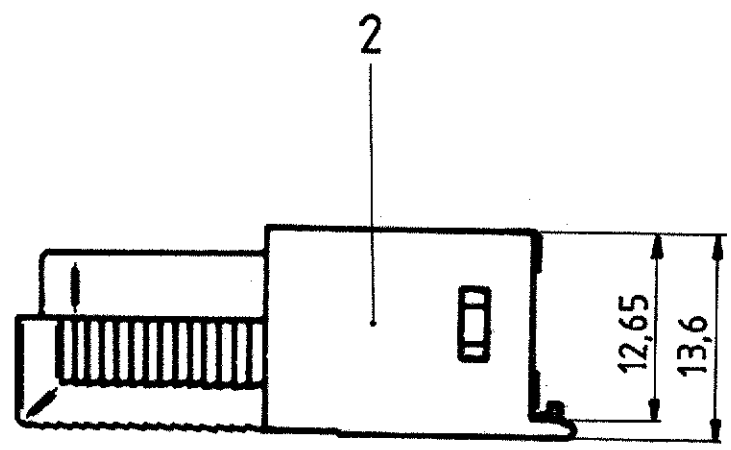


Sin nuestra autorización, queda terminantemente prohibida la reproducción total o parcial de este documento, así como su uso indebido y/o su exhibición o comunicación a terceros. De los infractores se exigirá el correspondiente resarcimiento de daños y perjuicios. Se reserva todos los derechos para el caso de la concesión de patente de invención o el registro de Modelo Industrial.

Weitergabe sowie Vervielfältigung dieser Unterlage, Verwertung und Mitteilung ihres Inhalts sind nicht gestattet, soweit nicht ausdrücklich zugestanden. Zuwiderhandlungen verpflichten zu Schadenersatz. Alle Rechte für den Fall der Patenterteilung oder GM-Eintragung vorbehalten.

Copying of this document, and giving it to others and the use or communication of the contents thereof, are forbidden without express authority. Offenders are liable to the payment of damages. All rights are reserved in the event of the grant of a patent or the registration of a utility model or design.



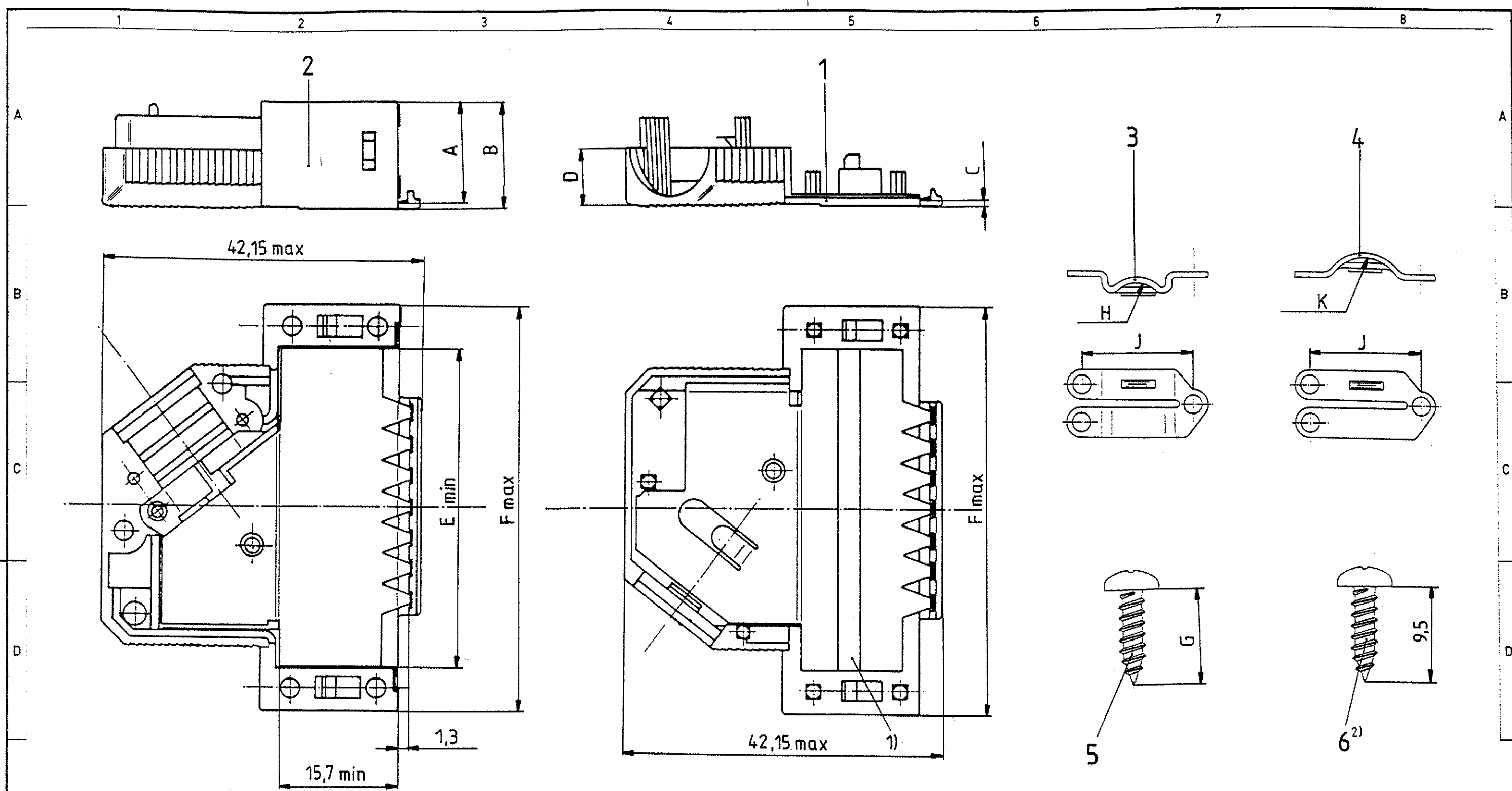
P/N 9 contacts version: V42254-A6000-G*09

| | | | | | |
|-------|---------------|-----------|------|--|--|
| | | | | Maßstab | |
| | | | | Tyco Electronics Tyco Electronics Corporation Oostkamp - Belgium | |
| | | | | D-Sub housing shielded 9 contacts | |
| | | | | V42254-A6000-G***-*-27 | |
| | | | | customer drawing number: C 1393738-1 | |
| | | | | page 1+ | |
| | | | | of 6 | |
| A3 | ECR-10-010763 | 24AUG10 | VRK | Datum: 30.08.88 | |
| A2 | ECR-09-024033 | 16-02-10 | VRK | Bearb: De Petter | |
| A1 | SR10-0493-02 | 21 NOV 02 | KV | Geor: PD Com P&SE | |
| A | WO00/7013 | 03.07.00 | KV | Norm: | |
| 02 | WB 89/176 | 27.06.89 | VH | | |
| 01 | | 22.09.88 | | | |
| 51 | | 30.08.88 | | | |
| Zust: | Mitteilung | Datum | Name | | |

Si esta copia o reproducción, queda formalmente prohibida la explotación total o parcial de este documento, así como su uso indebido y/o su exhibición o comunicación a terceros. De los infractores se exigirá el correspondiente resarcimiento de daños y perjuicios. Se reserva todos los derechos para el caso de la concesión de patente de invención o el registro de Modelo Industrial.

Wiedergabe sowie Vervielfältigung dieses Unterbauelementes und Mitteilung ihres Inhalts ist ausdrücklich untersagt, soweit nicht ausdrücklich zugestanden. Zuwiderhandlungen verpflichten zu Schadenersatz. Alle Rechte für den Fall der Patenterteilung oder GM-Umtragung vorbehalten.

Copying of this document and opening it to others and the use or communication of the contents thereof are forbidden without express authority. Offenders are liable to the payment of damages. All rights are reserved in the event of the grant of a patent or the registration of a utility model or design.



| housing | | dimension | | | | | | | | | |
|---------------|-----------------|-----------|------|-----|-----|-------|-------|-----|------|------|------|
| P/N | No. of contacts | A | B | C | D | E | F | G | H | J | K |
| V42254-A6000- | | | | | | | | | | | |
| G × 15 | 15 | | | | | 28 | 39,62 | | R3 | 14,5 | R4,5 |
| G × 25 | 25 | 13 | 14 | 1 | 7,5 | 41,8 | 53,52 | 6,5 | R4 | 16 | R5,5 |
| G × 37 | 37 | | | | | 58,25 | 69,8 | | | | |
| G × 50 | 50 | 16 | 17,5 | 1,5 | 9,5 | 55,78 | 67,41 | 9,5 | R5,5 | 20,6 | R7 |

2) only for the 37 contacts version
 1) tape only for the 15 to 37 contacts versions
 drawn is the 25 contacts version

| | | | | | |
|-----------------------------|--|--|--|---|--|
| | | | | Maßstab | |
| | | | | Tyco Electronics Corporation Oostkamp - Belgium | |
| | | | | Datum: 30.08.88 Bearb: De Petter Gedr: PD Com P&SE Norm: | |
| | | | | D-Sub housing shielded 15 to 50 contacts | |
| | | | | V42254-A6000-G***-*-27 | |
| A3 SEE SHEET 1 | | | | page 2+ | |
| Zust: Mitteilung Datum Name | | | | customer drawing number: C 1393738-1 of 6 | |

1

2

3

4

A

Active part numbers. Contact Tyco Electronics for other configuration availability

B

| Old Part Number | TE Part Number |
|-------------------|----------------|
| V42254-A6000-G109 | 1393738-1 |
| V42254-A6000-G115 | 1393738-2 |
| V42254-A6000-G125 | 1393738-3 |
| V42254-A6000-G137 | 1393738-4 |
| V42254-A6000-G150 | 1393738-5 |
| V42254-A6000-G209 | 1393738-6 |
| V42254-A6000-G309 | 1393738-7 |
| V42254-A6000-G315 | 1393738-8 |
| V42254-A6000-G325 | 1393738-9 |
| V42254-A6001-G109 | 4-1393738-2 |
| V42254-A6001-G125 | 4-1393738-4 |
| V42254-A6001-G309 | 4-1393738-5 |
| V42254-A6001-G315 | 4-1393738-6 |
| V42254-A6002-G109 | 5-1393738-0 |
| V42254-A6002-G125 | 5-1393738-2 |
| V42254-A6003-G137 | 5-1393738-7 |
| V42254-A6004-G109 | 5-1393738-9 |
| V42254-A6004-G115 | 6-1393738-0 |
| V42254-A6004-G125 | 6-1393738-1 |
| V42254-A6004-G137 | 6-1393738-2 |
| V42254-A6004-G150 | 6-1393738-3 |
| V42254-A6004-G209 | 6-1393738-4 |
| V42254-A6004-G215 | 6-1393738-5 |
| V42254-A6004-G225 | 6-1393738-6 |
| V42254-A6004-G309 | 1-1393739-9 |
| V42254-A6004-G315 | 6-1393738-7 |
| V42254-A6004-G325 | 2-1393739-0 |
| V42254-A6004-G337 | 2-1393739-1 |
| V42254-A6004-G350 | 2-1393739-2 |
| V42254-A6004-G409 | 6-1393738-8 |
| V42254-A6004-G415 | 6-1393738-9 |
| V42254-A6004-G437 | 7-1393738-1 |

SUPERSEDED BY 1393738-1

OBSOLETE

SUPERSEDED BY 6-1393738-1

SUPERSEDED BY 1-1393739-9

SUPERSEDED BY 6-1393738-7

OBSOLETE

SUPERSEDED BY 6-1393738-1

SUPERSEDED BY 6-1393738-2

SUPERSEDED BY 5-1393738-9

OBSOLETE

OBSOLETE

SUPERSEDED BY 6-1393738-2

SUPERSEDED BY 6-1393738-3

OBSOLETE

OBSOLETE

OBSOLETE

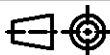
C

D

E



Tyco Electronics Corporation
Oostkamp - Belgium



LOC DIMENSIONS
GW IN MM

SCALE

WEIGHT

MATERIAL

DATE 30.08.88

NAME De Petter

DEP. PD Com P&SE

EC

TOLERANCE UNLESS
SPECIFIED OTHERWISE

NAME
D-Sub Housing

shielded

DWG NO.
V42254-A6000-G***-*-27

SHT. 4+

A3 SEE SHEET 1.

REV. CHANGE ORDER DATE APP. Customer Drawing: C 1393738-1

OF 6

1

2

3

4

F

THIS INFORMATION IS CONFIDENTIAL AND PROPRIETARY TO TYCO ELECTRONICS CORPORATION AND ITS WORLDWIDE SUBSIDIARIES AND AFFILIATES. IT MAY NOT BE DISCLOSED TO ANYONE, OTHER THAN TYCO ELECTRONICS PERSONEL, WITHOUT WRITTEN AUTHORIZATION FROM TYCO ELECTRONICS CORPORATION, HARRISBURG, PENNSYLVANIA USA.

PROPRIETARY:




PROPRIETARY: THIS INFORMATION IS CONFIDENTIAL AND PROPRIETARY TO TYCO ELECTRONICS CORPORATION AND ITS WORLDWIDE SUBSIDIARIES AND AFFILIATES. IT MAY NOT BE DISCLOSED TO ANYONE, OTHER THAN TYCO ELECTRONICS PERSONNEL, WITHOUT WRITTEN AUTHORIZATION FROM TYCO ELECTRONICS CORPORATION, HARRISBURG PENNSYLVANIA USA

V 4 2 2 5 4 - A 6 1 * * - L 1

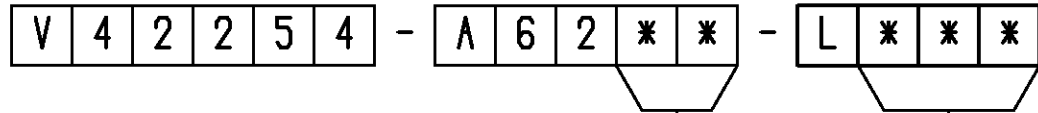
| Technical data | | |
|----------------|--|---------------------------------------|
| | contact tube outer diameter ±0.1 | for shield braiding outer diameter |
| 04 | 4 | 2.0 to 2.7 |
| 05 | 5 | 2.8 to 3.7 |
| 06 | 6 | 3.8 to 4.7 |
| 07 | 7 | 4.8 to 5.7 |
| 08 | 8 | 5.8 to 6.7 |
| 09 | 9 | 6.8 to 7.7 |
| 10 | 10 | 7.8 to 8.7 |
| 11 | 11 | 8.8 to 9.7 |
| 12 | 12 | 9.8 to 10.7 |
| 13 | 13 | 10.8 to 11.7 |
| 14 | 14 | 11.8 to 12.7 |
| 15 | 15 | 12.8 to 13.7 |

Active part numbers. Contact Tyco Electronics for other configuration availability

| Old Part Number | TE Part Number | |
|-----------------|----------------|----------|
| V42254-A6104-L1 | 3-1393561-2 | OBSOLETE |
| V42254-A6105-L1 | 3-1393561-3 | |
| V42254-A6106-L1 | 3-1393561-4 | |
| V42254-A6107-L1 | 3-1393561-5 | |
| V42254-A6108-L1 | 3-1393561-6 | |
| V42254-A6109-L1 | 3-1393561-9 | |
| V42254-A6110-L1 | 4-1393561-0 | |
| V42254-A6111-L1 | 4-1393561-1 | |
| V42254-A6112-L1 | 4-1393561-2 | |
| V42254-A6113-L1 | 4-1393561-3 | OBSOLETE |
| V42254-A6114-L1 | 4-1393561-4 | OBSOLETE |
| V42254-A6115-L1 | 5-1393502-9 | OBSOLETE |

| | | | | | | | | | |
|---|--|------------------------------|--|---|--|--------------------------------------|--|---------|--|
| APPLICABLE SPEC.: | | | | FINISH | | | | | |
| | | | | DIMENSIONS APPLY | | PLATING | | | |
|  | | TYCO ELECTRONICS CORPORATION | |  | | SCALE | | WEIGHT | |
| | | OOSTKAMP - BELGIUM | | | | MATERIAL | | | |
| | | DATE 30.08.88 | |  | | NAME | | | |
| | | NAME De Petter | | | | D-Sub Housing | | | |
| | | DEP. PD Com P&SE | | | | accessories: contact tubes | | | |
| | | EC | | TOLERANCE UNLESS SPECIFIED OTHERWISE | | DWG NO. | | | |
| | | | | | | V42254-A6000-G***-*-27 | | | |
| A3 SEE SHEET 1 | | | | | | | | SHT. 5+ | |
| REV. CHANGE ORDER | | DATE | | APP. | | customer drawing number: C 1393738-1 | | OF 6 | |

PROPRIETARY: THIS INFORMATION IS CONFIDENTIAL AND PROPRIETARY TO TYCO ELECTRONICS CORPORATION AND ITS WORLDWIDE SUBSIDIARIES AND AFFILIATES. IT MAY NOT BE DISCLOSED TO ANYONE, OTHER THAN TYCO ELECTRONICS PERSONNEL, WITHOUT WRITTEN AUTHORIZATION FROM TYCO ELECTRONICS CORPORATION, HARRISBURG PENNSYLVANIA USA



| | | Technical Data | |
|----|------|-----------------------------|----------------------|
| | | bushing inner diameter ±0.2 | cable outer diameter |
| 00 | 1)2) | / | / |
| 05 | 3) | 5 | 4.2 to 4.9 |
| 06 | 3) | 6 | 5.0 to 5.9 |
| 07 | 3) | 7 | 6.0 to 6.9 |
| 08 | 3) | 8 | 7.0 to 7.9 |
| 09 | 3) | 9 | 8.0 to 8.9 |
| 10 | 2) | 10 | 9.0 to 9.9 |
| 11 | 2) | 11 | 10.0 to 10.9 |
| 12 | 4) | 12 | 11.0 to 11.9 |
| 13 | 4) | 13 | 12.0 to 12.9 |
| 14 | 4) | 14 | 13.0 to 13.9 |
| 15 | 4) | 15 | 14.0 to 14.9 |

| | contacts | colour |
|-----|----------|--------|
| 1 | 9 to 37 | grey |
| 50 | 50 | grey |
| 100 | 9 to 37 | black |
| 150 | 50 | black |

Active part numbers. Contact Tyco Electronics for other configuration availability

| Old Part Number | TE Part Number | |
|-------------------|----------------|----------|
| V42254-A6200-L 1 | 4-1393561-5 | |
| V42254-A6200-L 50 | 4-1393561-6 | |
| V42254-A6200-L100 | 5-1393502-1 | OBSOLETE |
| V42254-A6200-L150 | 5-1393502-2 | OBSOLETE |
| V42254-A6205-L 1 | 4-1393561-7 | |
| V42254-A6205-L100 | 4-1393561-8 | |
| V42254-A6206-L 1 | 4-1393561-9 | |
| V42254-A6206-L100 | 5-1393561-0 | |
| V42254-A6207-L 1 | 5-1393561-1 | |
| V42254-A6207-L100 | 5-1393561-4 | OBSOLETE |
| V42254-A6208-L 1 | 5-1393561-5 | |
| V42254-A6208-L100 | 5-1393561-6 | |
| V42254-A6209-L 1 | 5-1393561-7 | |
| V42254-A6209-L100 | 5-1393561-8 | |
| V42254-A6210-L 1 | 5-1393561-9 | |
| V42254-A6210-L 50 | 6-1393561-0 | |
| V42254-A6210-L100 | 6-1393561-1 | OBSOLETE |
| V42254-A6210-L150 | 5-1393502-3 | OBSOLETE |
| V42254-A6211-L 1 | 6-1393561-2 | |
| V42254-A6211-L 50 | 6-1393561-3 | |
| V42254-A6211-L100 | 5-1393502-4 | OBSOLETE |
| V42254-A6211-L150 | 5-1393502-5 | OBSOLETE |
| V42254-A6212-L 50 | 6-1393561-4 | |
| V42254-A6212-L150 | 5-1393502-6 | OBSOLETE |
| V42254-A6213-L 50 | 6-1393561-5 | |
| V42254-A6213-L150 | 5-1393502-7 | OBSOLETE |
| V42254-A6214-L 50 | 6-1393561-6 | |
| V42254-A6214-L150 | 5-1393502-8 | OBSOLETE |
| V42254-A6215-L 50 | 8-1393501-5 | OBSOLETE |
| V42254-A6215-L150 | 6-1393561-7 | OBSOLETE |

- 4) only for 50 contacts
- 3) only for 9 to 37 contacts
- 2) for 9 to 50 contacts
- 1) Blank bushing

| | | | |
|--|--------------|--|--|
| APPLICABLE SPEC.: | | FINISH | |
| | | DIMENSIONS APPLY PLATING | |
| TYCO ELECTRONICS CORPORATION OOSTKAMP - BELGIUM | | DIMENSIONS IN MM | |
| DATE | 30.08.88 | NAME | |
| NAME | De Petter | D-Sub Housing | |
| DEP. | PD Com P&SE | accessories: cable bushings | |
| EC | | DWG NO. | |
| TOLERANCE UNLESS SPECIFIED OTHERWISE | | V42254-A6000-G***-*-27 | |
| A3 | SEE SHEET 1 | SHT. 6- | |
| REV. | CHANGE ORDER | DATE APP. customer drawing number: C 1393738-1 | |
| | | OF 6 | |