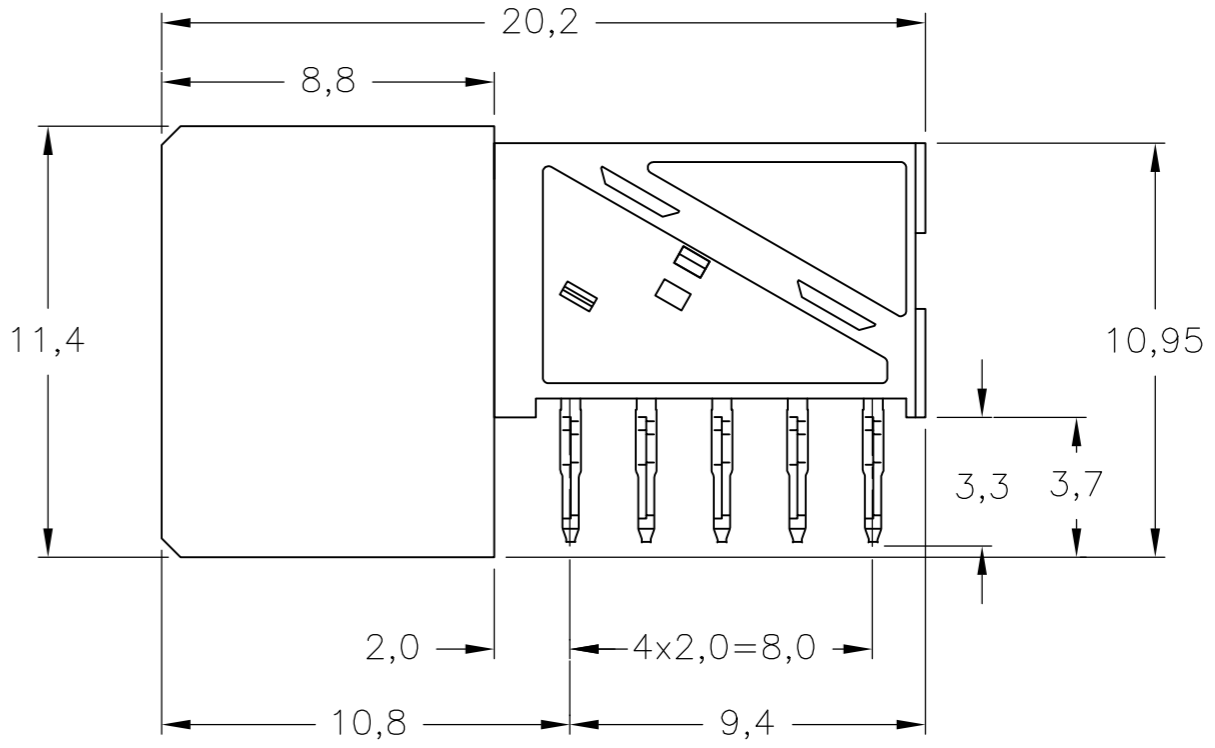
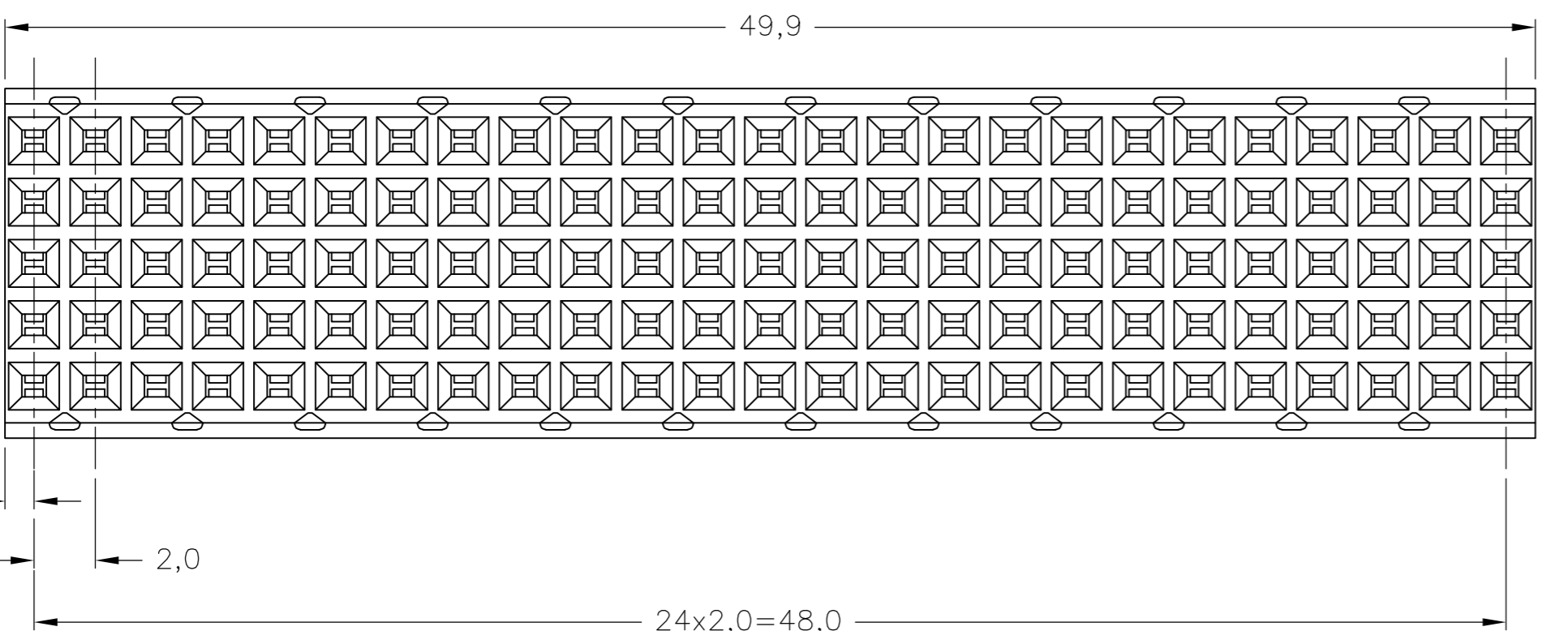
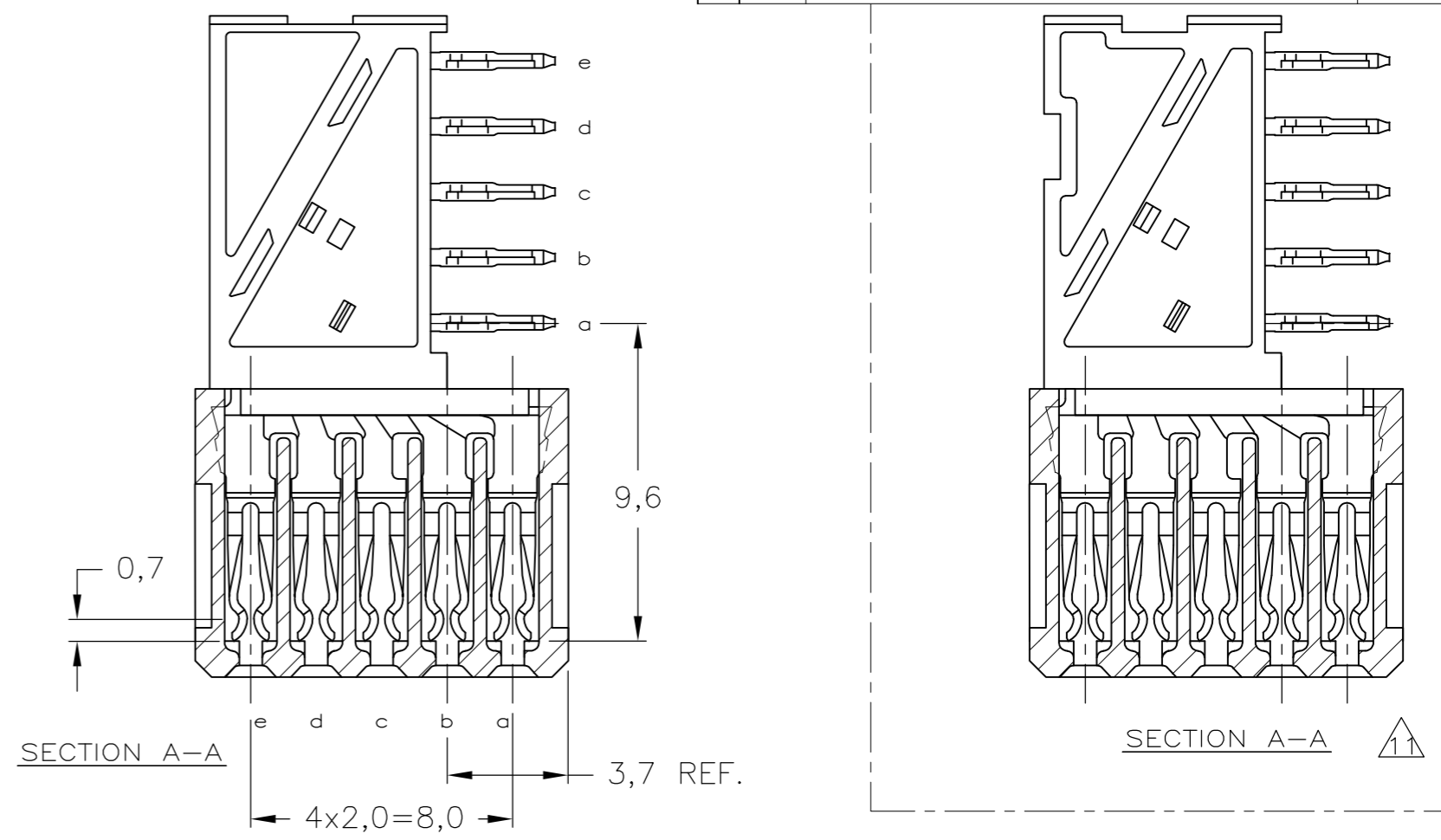
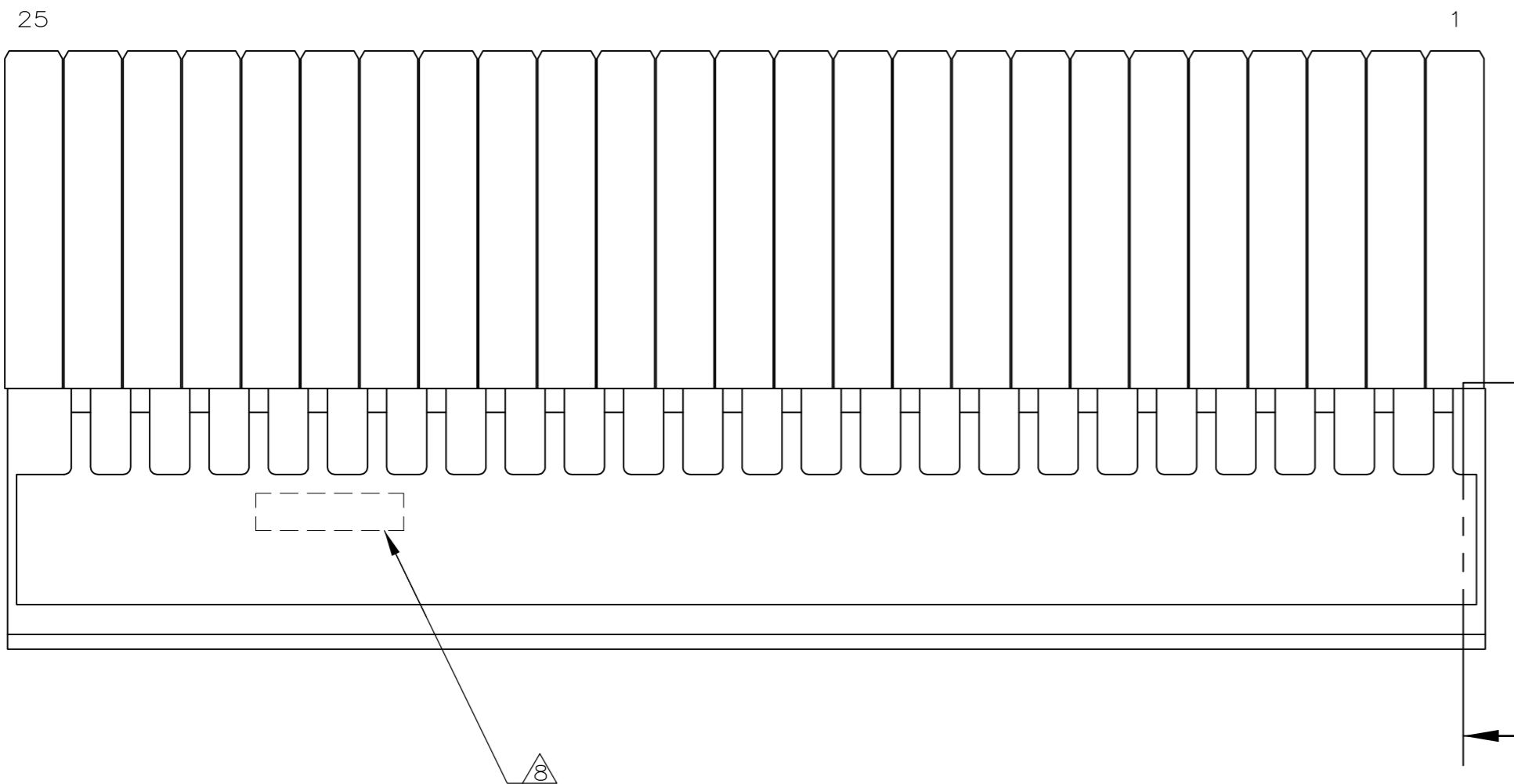


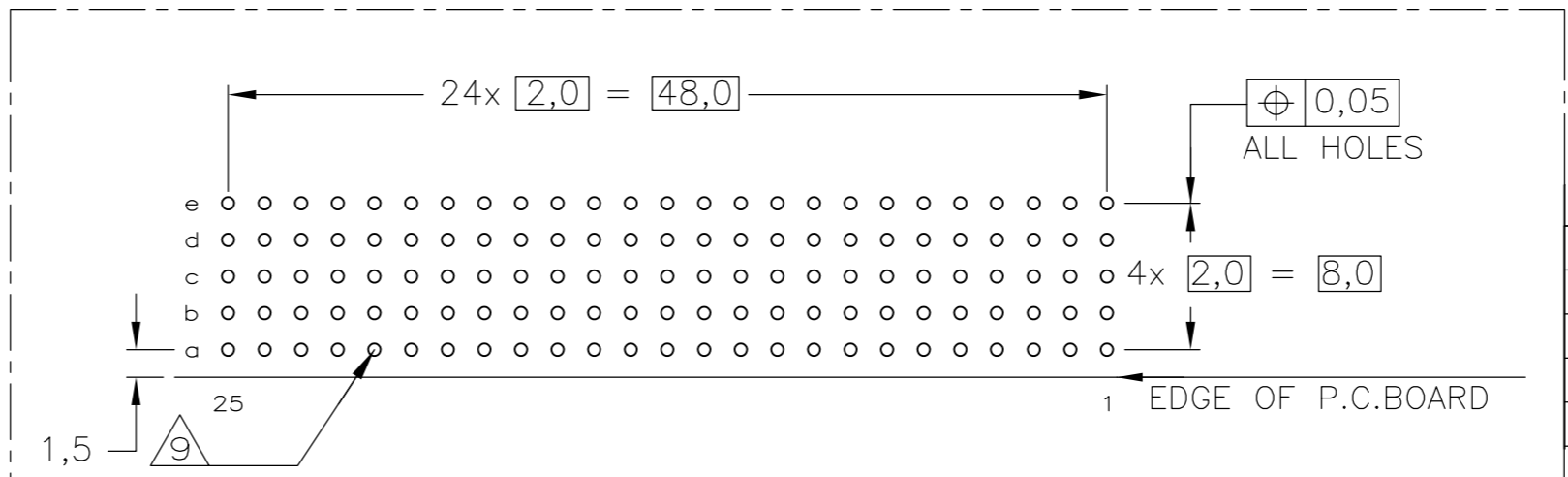
THIS DRAWING IS UNPUBLISHED. RELEASED FOR PUBLICATION
 © COPYRIGHT BY TYCO ELECTRONICS CORPORATION. ALL RIGHTS RESERVED.

LOC		DIST		REVISIONS			
P	LTR	DESCRIPTION	DATE	DWN	APVD		
H	-						
D		REV PER EC ECO-10-021950	18OCT2010	RC	CW		



NOTES:

- 1 MATERIAL CONTACT; PHOSPHORBRONZE
MATERIAL HOUSING; GLASSFILLED POLYESTER (GRAY)
UL-RATING 94V0.
- 2 GENERAL PLATING SPECIFICATION: UNDERPLATING (ENTIRE CONTACT): 1,27µm NICKEL MIN.
AND ACTION PIN: 0,5µm TIN MIN.
FOR PLATING OF MATING SURFACES SEE APPLICABLE SPECIFICATION REFERENCE FOR EACH DASH NUMBER.
- 3 CONFORMS TO ALL TESTING ACCORDING IEC 61076-4-101 PERFORMANCE LEVEL 2.
- 4 CONFORMS TO ALL TESTING ACCORDING IEC 61076-4-101 PERFORMANCE LEVEL 1.
- 5 CONNECTOR TESTED AND QUALIFIED AGAINST TELCORDIA GR-1217-CORE QUALITY LEVEL III,
CENTRAL OFFICE APPLICATIONS.
- 6 CONNECTOR TESTED AND QUALIFIED AGAINST TELCORDIA GR-1217-CORE QUALITY LEVEL III,
UNCONTROLLED ENVIRONMENT APPLICATIONS.
- 7 CONNECTOR LUBRICATED WITH TELCORDIA GR-1217-CORE APPROVED LUBRICANT.
- 8 CONNECTOR PRINTED WITH PARTNUMBER AND DATECODE
THE MARKING CAN APPEAR ON THE FRONT SIDE OR ON THE BACK SIDE.
- 9 PLATED-THROUGH HOLES AT 2x2mm SQUARE GRID. 125 HOLES
- 10 FITS WITH INTEGRATED GROUND RETURN UPPERSHIELD, BASIC P.N. 5338109
AND INTEGRATED GROUND RETURN LOWERSHIELD, BASIC P.N. 5338110
- 11 CONNECTOR ASSEMBLED WITH REDESIGNED CONTACTS.
- 12 OBSOLETE PARTS: OBSOLETE CIS STREAMLINING PER D.RENAUD/D.SINISI
- 13 0.76µm MIN. GOLD PLATING AT MATING SURFACES.



SCALE 2,5:1
 COMPONENT SIDE AS SHOWN
 RECOMMENDED PCB-HOLE LAY-OUT

P.C.B. HOLE DIM. ACTION PIN
 FOR DETAILS SEE
 APPLICATION SPECIFICATION

THIS DRAWING IS A CONTROLLED DOCUMENT.		DWN K.N.KIRAN 05AUG2004	Tyco Electronics Corporation Tyco Electronics Corporation 's-Hertogenbosch,5222AR-32	
DIMENSIONS: mm	TOLERANCES UNLESS OTHERWISE SPECIFIED: ±0.2	CHK B.MOOIJ 22SEP2004	NAME Z-PACK 2mm HM TYPE B 125 POS. FEMALE CONNECTOR	
MATERIAL		APVD B.MOOIJ 22SEP2004	PRODUCT SPEC 108-19082	SIZE A2
		FINISH	APPLICATION SPEC 114-19029	CAGE CODE 00779
			WEIGHT	DRAWING NO C=5100145
			CUSTOMER DRAWING	RESTRICTED TO
			SCALE 4:1	SHEET 1 OF 1
				REV D