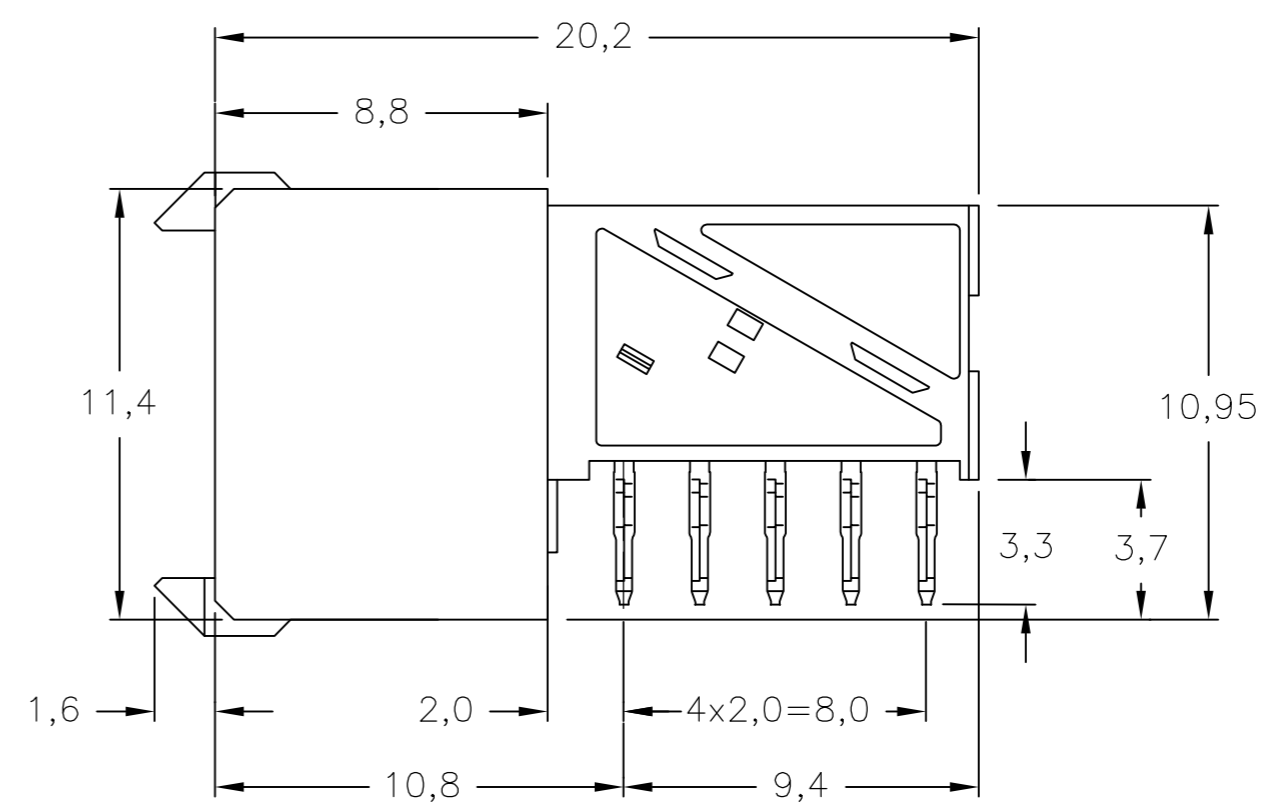
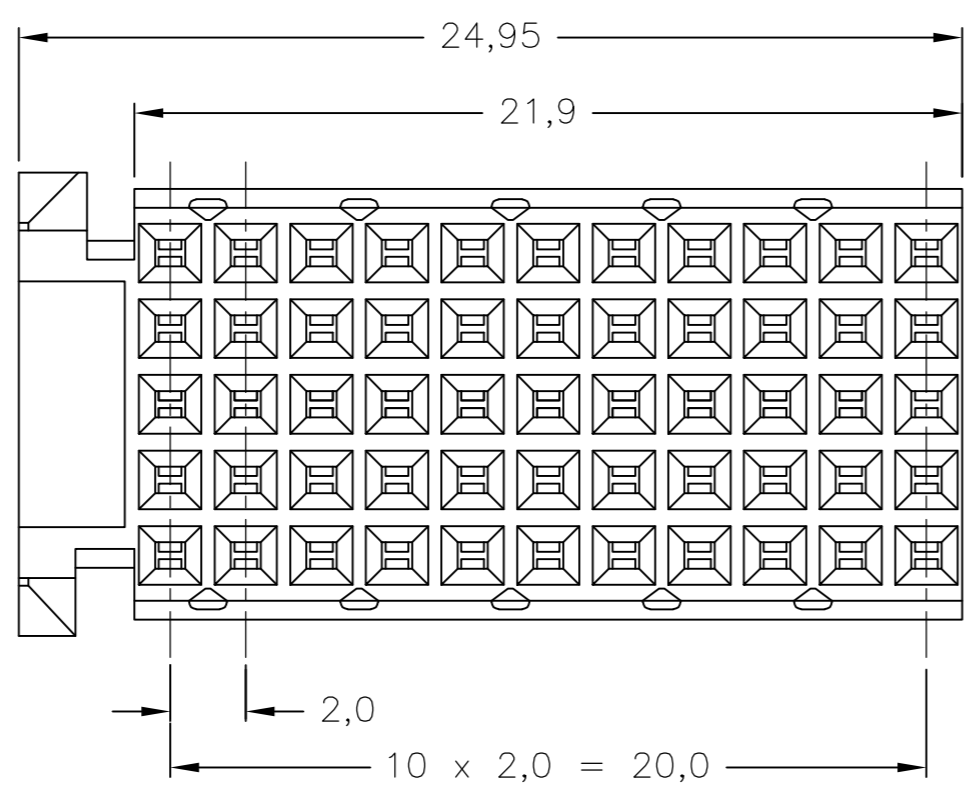
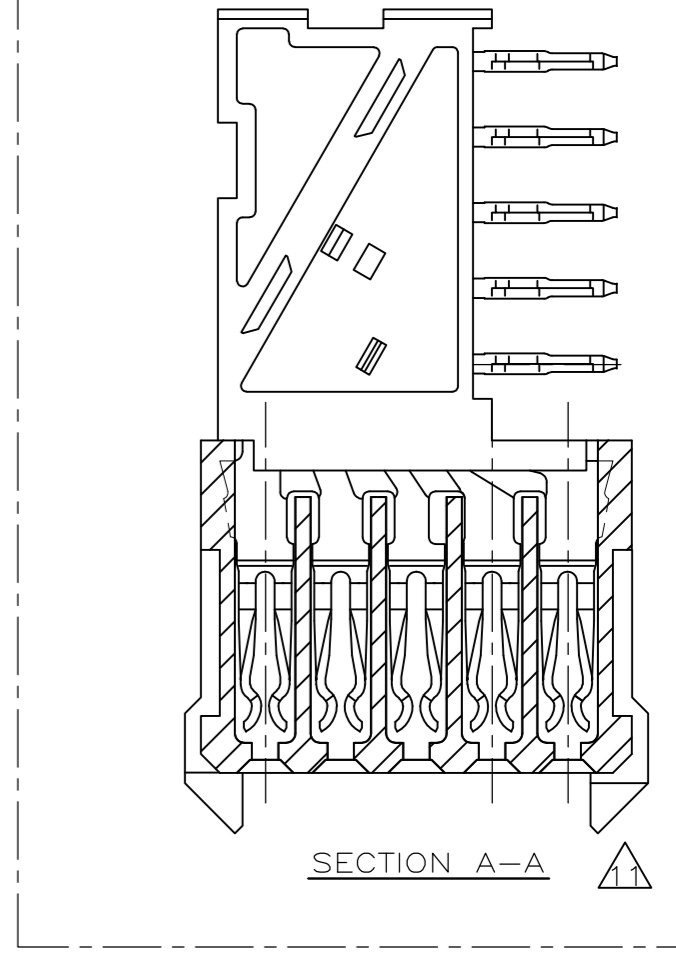
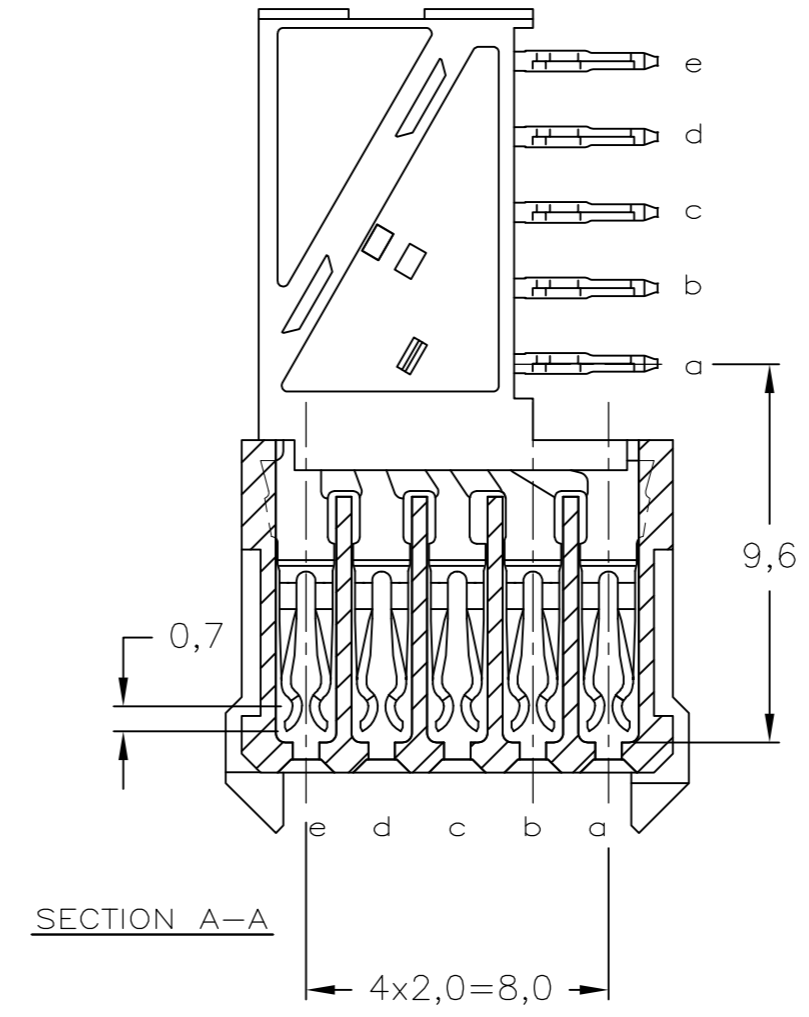
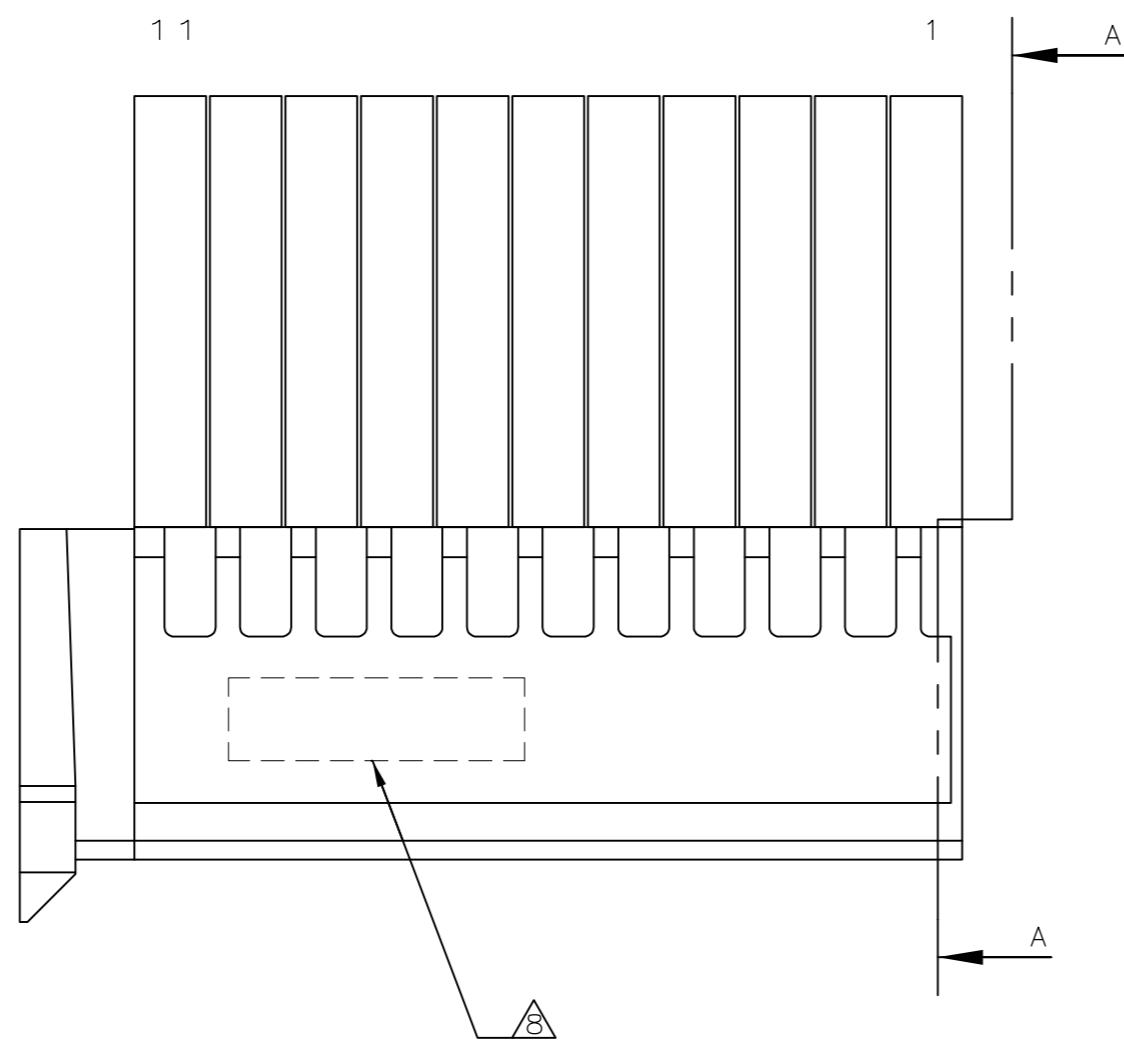
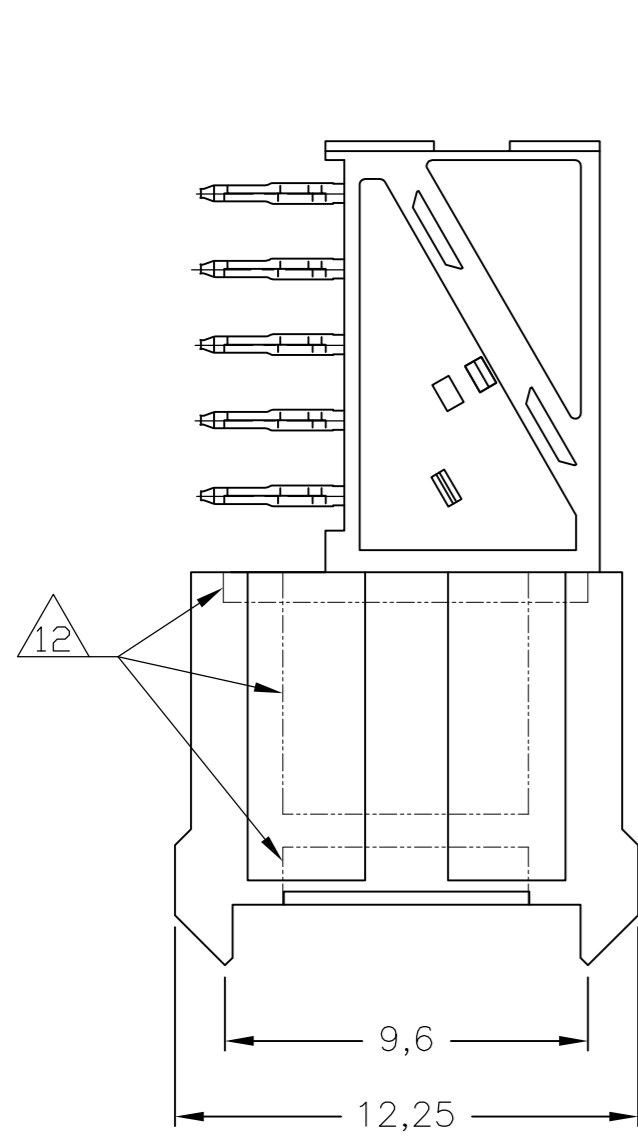


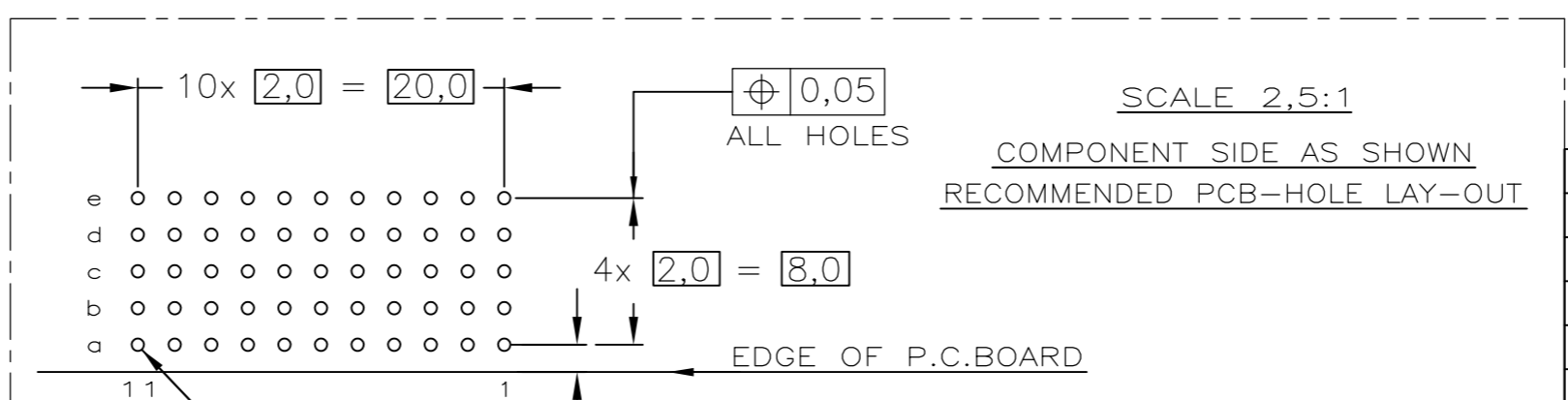
THIS DRAWING IS UNPUBLISHED. RELEASED FOR PUBLICATION
 © COPYRIGHT BY TYCO ELECTRONICS CORPORATION. ALL RIGHTS RESERVED.

LOC		DIST		REVISIONS			
P	LTR	DESCRIPTION	DATE	DWN	APVD		
D		REV PER EC ECO-10-021950	18OCT2010	RC	CW		



NOTES:

- 1 MATERIAL CONTACT; PHOSPHORBRONZE
MATERIAL HOUSING; GLASSFILLED POLYESTER (GRAY)
UL-RATING 94V0.
- 2 GENERAL PLATING SPECIFICATION: UNDERPLATING (ENTIRE CONTACT): 1,27µm NICKEL MIN.
AND ACTION PIN: 0,5µm TIN MIN.
FOR PLATING OF MATING SURFACES SEE APPLICABLE SPECIFICATION REFERENCE FOR EACH DASH NUMBER.
- 3 CONFORMS TO ALL TESTING ACCORDING IEC 61076-4-101 PERFORMANCE LEVEL 2.
- 4 CONFORMS TO ALL TESTING ACCORDING IEC 61076-4-101 PERFORMANCE LEVEL 1.
- 5 CONNECTOR TESTED AND QUALIFIED AGAINST TELCORDIA GR-1217-CORE QUALITY LEVEL III, CENTRAL OFFICE APPLICATIONS.
- 6 CONNECTOR TESTED AND QUALIFIED AGAINST TELCORDIA GR-1217-CORE QUALITY LEVEL III, UNCONTROLLED ENVIRONMENT APPLICATIONS.
- 7 CONNECTOR LUBRICATED WITH TELCORDIA GR-1217-CORE APPROVED LUBRICANT.
- 8 CONNECTOR PRINTED WITH PARTNUMBER AND DATECODE
THE MARKING CAN APPEAR ON THE FRONT SIDE OR ON THE BACK SIDE.
- 9 PLATED-THROUGH HOLES AT 2x2mm SQUARE GRID. 55 HOLES
- 10 FITS WITH INTEGRATED GROUND RETURN UPPERSHIELD, BASIC P.N. 5352111
AND INTEGRATED GROUND RETURN LOWERSHIELD, BASIC P.N. 5352112
- 11 CONNECTOR ASSEMBLED WITH REDESIGNED CONTACTS.
CONTACTS HAVE A CORING-OUT IN THE PLASTIC.
ALTERNATE CORING-OUT IN HOUSING; NON-FUNCTIONAL.
- 12 OBSOLETE PARTS: OBSOLETE CIS STREAMLINING PER D.RENAUD/D.SINISI
- 13 0,76µm MIN. GOLD PLATING AT MATING SURFACES.



FINISH	MATERIAL	PARTNUMBER
2 3 4	1	3-5100161-0
2 6 7	1	1-5100161-9
2 6 7	1	5100161-9
2 4	1	5100161-4
2 3	1	5100161-1

THIS DRAWING IS A CONTROLLED DOCUMENT.		DWN	06AUG2004
DIMENSIONS: mm		CHK	22SEP2004
TOLERANCES UNLESS OTHERWISE SPECIFIED:		APVD	22SEP2004
0-PLG	±	NAME	
1-PLG	±	Z-PACK 2mm HM TYPE C	
2-PLG	±	55 POS. FEMALE CONNECTOR	
3-PLG	±	-	
4-PLG	±	SIZE	CAGE CODE
ANGLES	±	A2	00779
FINISH	-	DRAWING NO	C=5100161
MATERIAL		WEIGHT	RESTRICTED TO
-		-	-
P.C.B. HOLE DIM. ACTION PIN FOR DETAILS SEE APPLICATION SPECIFICATION		CUSTOMER DRAWING	

Tyco Electronics Corporation 's-Hertogenbosch, 5222AR-32		SCALE 4:1	
SHEET 1 OF 1		REV D	