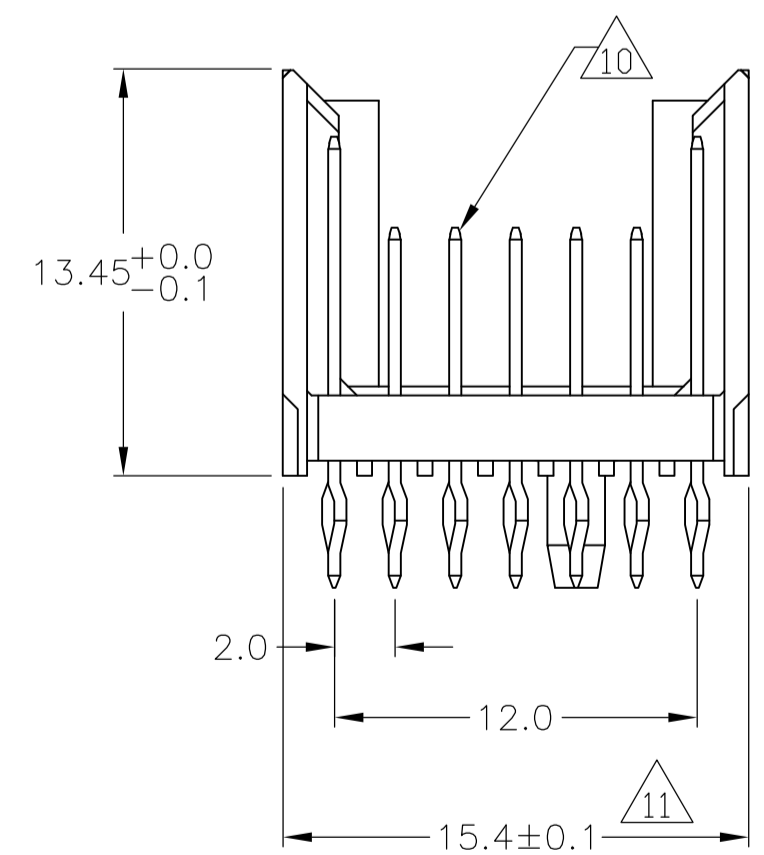
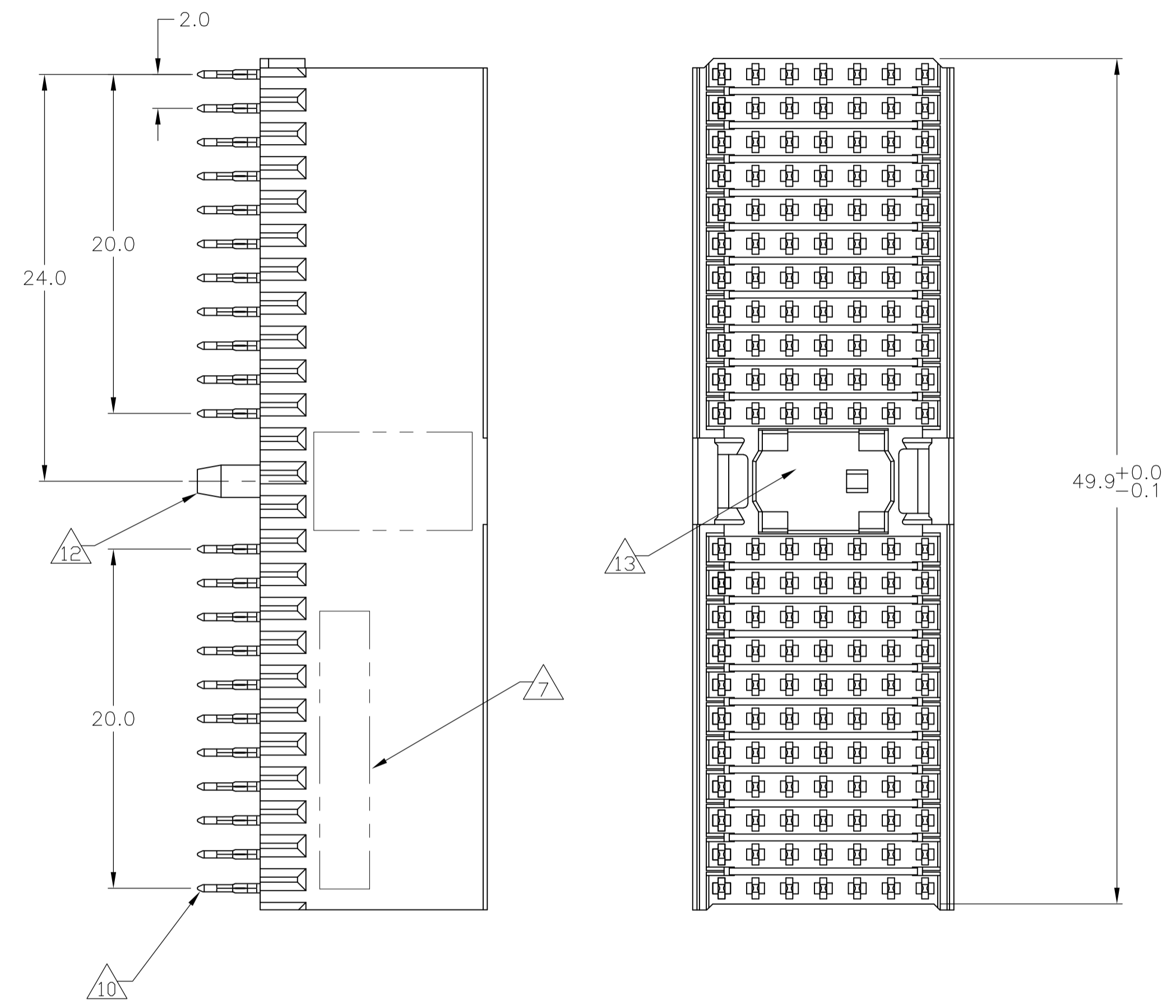


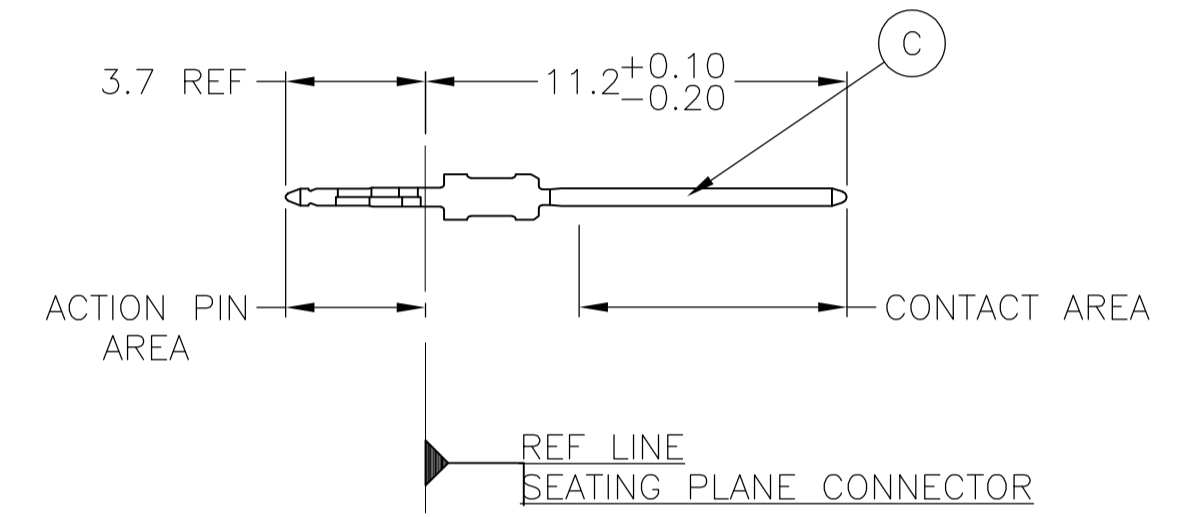
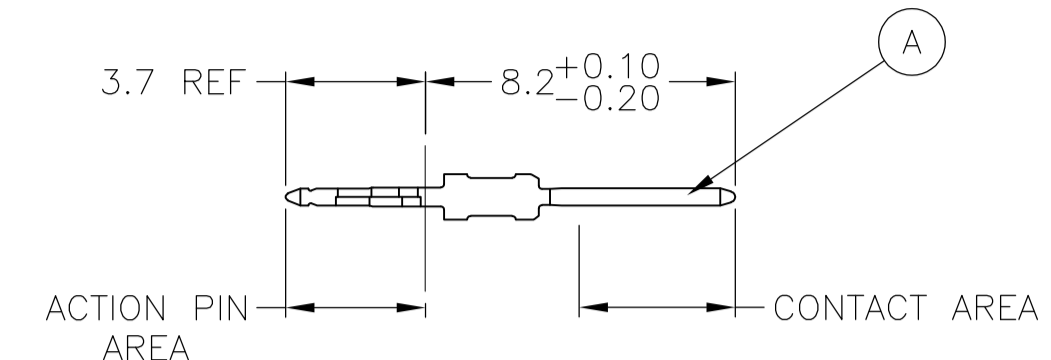
| LOC | | DIST | | REVISIONS | | | |
|-----|-----------------|--------------|---------|-----------|------|--|--|
| P | LTR | DESCRIPTION | DATE | DMN | APVD | | |
| C | REV PER EC | OS12-0306-05 | 24MAY06 | BC | GS | | |
| C1 | REVISED PER ECO | -10-000444 | 20JAN10 | KK | HMR | | |
| D | ECR | -10-018652 | 10SEP10 | SW | MQW | | |

CONNECTOR ASSEMBLY EXAMPLARY LOADED



CONTACT DIMENSIONS

SCALE 5:1

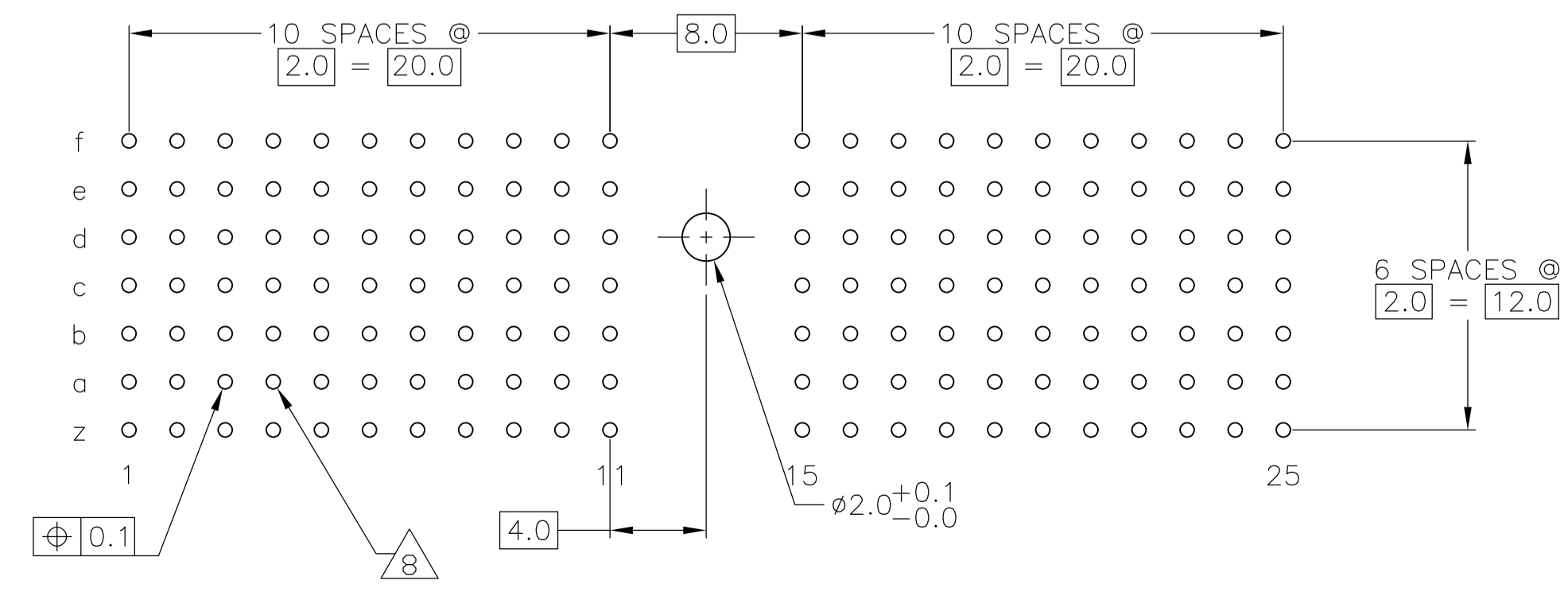


CONTACT LAYOUT

| | z | a | b | c | d | e | f |
|----------------------|---|---|---|---|---|---|---|
| 1 | C | A | A | A | A | A | C |
| 2 | C | A | A | A | A | A | C |
| 3 | C | A | A | A | A | A | C |
| 4 | C | A | A | A | A | A | C |
| 5 | C | A | A | A | A | A | C |
| 6 | C | A | A | A | A | A | C |
| 7 | C | A | A | A | A | A | C |
| 8 | C | A | A | A | A | A | C |
| 9 | C | A | A | A | A | A | C |
| 10 | C | A | A | A | A | A | C |
| 11 | C | A | A | A | A | A | C |
| MULTI PURPOSE CENTER | | | | | | | |
| 15 | C | A | A | A | A | A | C |
| 16 | C | A | A | A | A | A | C |
| 17 | C | A | A | A | A | A | C |
| 18 | C | A | A | A | A | A | C |
| 19 | C | A | A | A | A | A | C |
| 20 | C | A | A | A | A | A | C |
| 21 | C | A | A | A | A | A | C |
| 22 | C | A | A | A | A | A | C |
| 23 | C | A | A | A | A | A | C |
| 24 | C | A | A | A | A | A | C |
| 25 | C | A | A | A | A | A | C |

RECOMMENDED PCB-HOLE LAYOUT COMPONENT SIDE SHOWN

PLATED THRU HOLES PARAMETERS REFERENCE APPLICATION SPECIFICATION



| | | | | |
|----------|--------|---|----|-------------|
| | 2 | 6 | 14 | 1-5100668-9 |
| OBSELETE | 2 | 5 | 14 | 5100668-9 |
| OBSELETE | 2 | 4 | 14 | 5100668-4 |
| | 2 | 3 | 14 | 5100668-1 |
| | FINISH | | | PART NUMBER |

THIS DRAWING IS A CONTROLLED DOCUMENT.

| | | | | |
|----------------|--|-----------------------|--------------------|--|
| DIMENSIONS: mm | TOLERANCES UNLESS OTHERWISE SPECIFIED: | DIN B CARBO 24JAN05 | GSKIPPER 24JAN05 | Tyco Electronics Corporation Harrisburg, Pa 17105-3608 |
| 0-PLC ± | 1-PLC ±0.1 | APVD GSKIPPER 24JAN05 | NAME | MALE ASSEMBLY, Z-PACK 2mm HM, TYPE A |
| 2-PLC ± | 3-PLC ± | PRODUCT SPEC | 108-19082 | SIZE CAGE CODE DRAWING NO |
| 4-PLC ± | ANGLES | APPLICATION SPEC | 114-19029 | RESTRICTED TO |
| MATERIAL | FINISH SEE TABLE | WEIGHT | A1 00779 C=5100668 | — |
| | | CUSTOMER DRAWING | SCALE 4:1 | SHEET 1 OF 2 REV D |

| LOC | | DIST | | REVISIONS | | | |
|-----|-----|-------------|------|-----------|------|--|--|
| IF | LTR | DESCRIPTION | DATE | DRN | APVD | | |
| AD | 00 | SEE SHEET 1 | - | - | - | | |

- 1 MATERIAL:
CONTACT: PHOSPHOR BRONZE.
HOUSING: GLASS-FILLED POLYESTER.
- 2 GENERAL PLATING SPECIFICATION: UNDERPLATING
(ENTIRE CONTACT): 1.27µm MIN NICKEL AND ACTION
PIN: 0.5µm MIN TIN.
FOR PLATING OF MATING SURFACES SEE APPLICABLE
SPECIFICATION REFERENCE FOR EACH DASH NUMBER.
- 3 CONFORMS TO ALL TESTING ACCORDING TO IEC 61076-4-101
PERFORMANCE LEVEL 2.
- 4 CONFORMS TO ALL TESTING ACCORDING TO IEC 61076-4-101
PERFORMANCE LEVEL 1.
- 5 CONNECTOR TESTED AND QUALIFIED AGAINST TELCORDIA GR-1217-CORE QUALITY LEVEL 3,
CENTRAL OFFICE APPLICATIONS.
- 6 CONNECTOR TESTED AND QUALIFIED AGAINST TELCORDIA GR-1217-CORE QUALITY LEVEL 3,
UNCONTROLLED ENVIROMENT APPLICATIONS.
- 7 CONNECTOR MARKED WITH PART NUMBER AND DATE CODE.
ADDITIONAL CHARACTERS OR MARKINGS, AS WELL AS THE LOCATION OF THE MARKINGS,
MAY BE ADDED FOR TRACEABILITY BASED UPON MANUFACTURERS DISCRETION.
- 8 PLATED-THROUGH HOLES AT 2x2mm SQUARE GRID
PATTERN DEFINED BY CONTACT LAYOUT.
- 9 FOR ACTUAL PIN LOADING SEE "CONTACT LAYOUT".
- 10 FOR ACTUAL PIN DIMENSIONS SEE "CONTACT DIMENSIONS".
- 11 TO BE MEASURED AT BOTTOM OF SHROUD.
- 12 POLARIZATION FEATURE.
- 13 AREA RESERVED FOR KEYING PART (BASIC P/N 100525).
- 14 CONNECTOR LUBRICATED WITH BELCORE APPROVED LUBRICANT,
TECHNICAL REFERENCE: TR-NWT-001217 ISSUE 1, SEP 1992.
- 15 OBSOLETE PARTS: OBSOLETE CIS STREAMLINING PER D.RENAUD/D.SINISI

| | | | | |
|--|--|-------------------------------|---|--------------------|
| THIS DRAWING IS A CONTROLLED DOCUMENT. | | DRN B. CARBO 24JAN05 | Tyco Electronics Corporation Harrisburg, Pa 17105-3608 | |
| DIMENSIONS: mm | | CHK G. SKIPPER 24JAN05 | NAME G. SKIPPER 24JAN05 | |
| TOLERANCES UNLESS OTHERWISE SPECIFIED: 0-PLC ± 1-PLC ±0.1 2-PLC ± 3-PLC ± 4-PLC ± ANGLES ± | | PRODUCT SPEC 108-19082 | MALE ASSEMBLY, Z-PACK 2mm HM, TYPE A | |
| MATERIAL SEE SHEET 1 | | APPLICATION SPEC 114-19029 | SIZE A1 | CAGE CODE 00779 |
| FINISH SEE SHEET 1 | | RESTRICTED TO - | DRAWING NO 5100668 | REV D |
| CUSTOMER DRAWING | | SCALE 4:1 | SHEET 2 OF 2 | REV D |