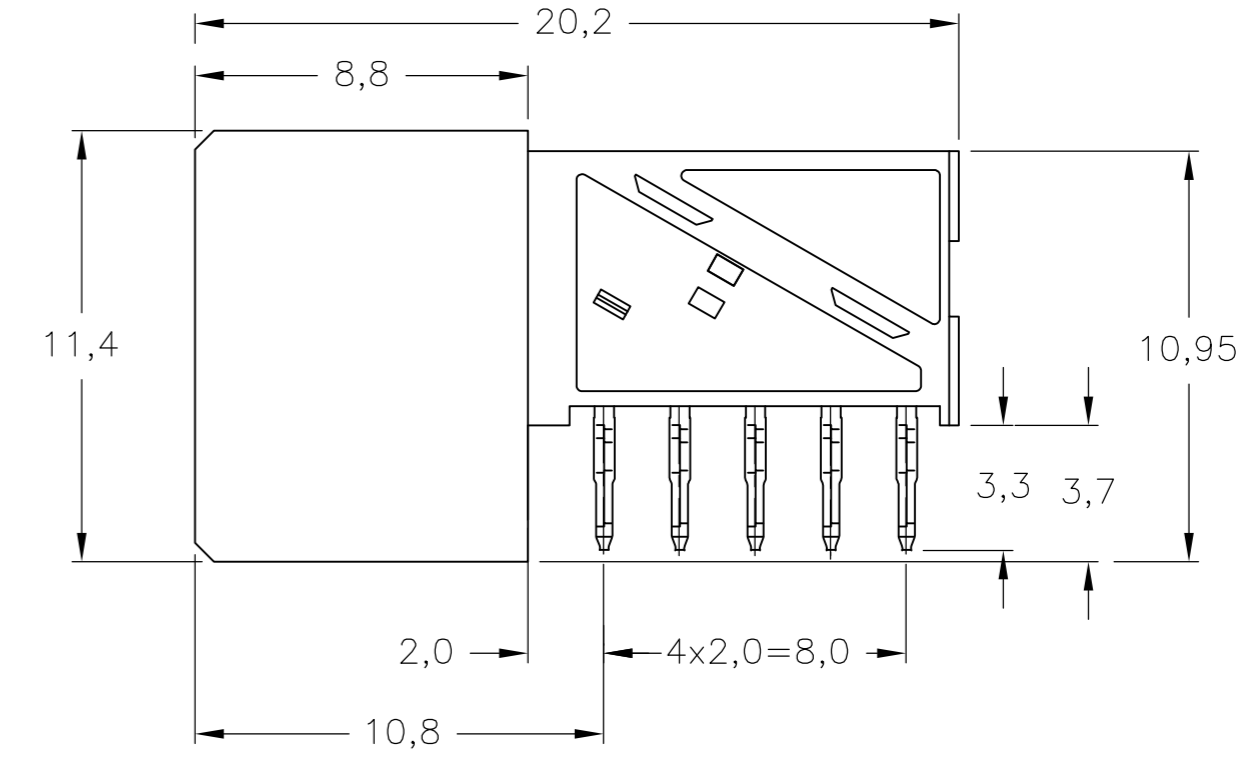
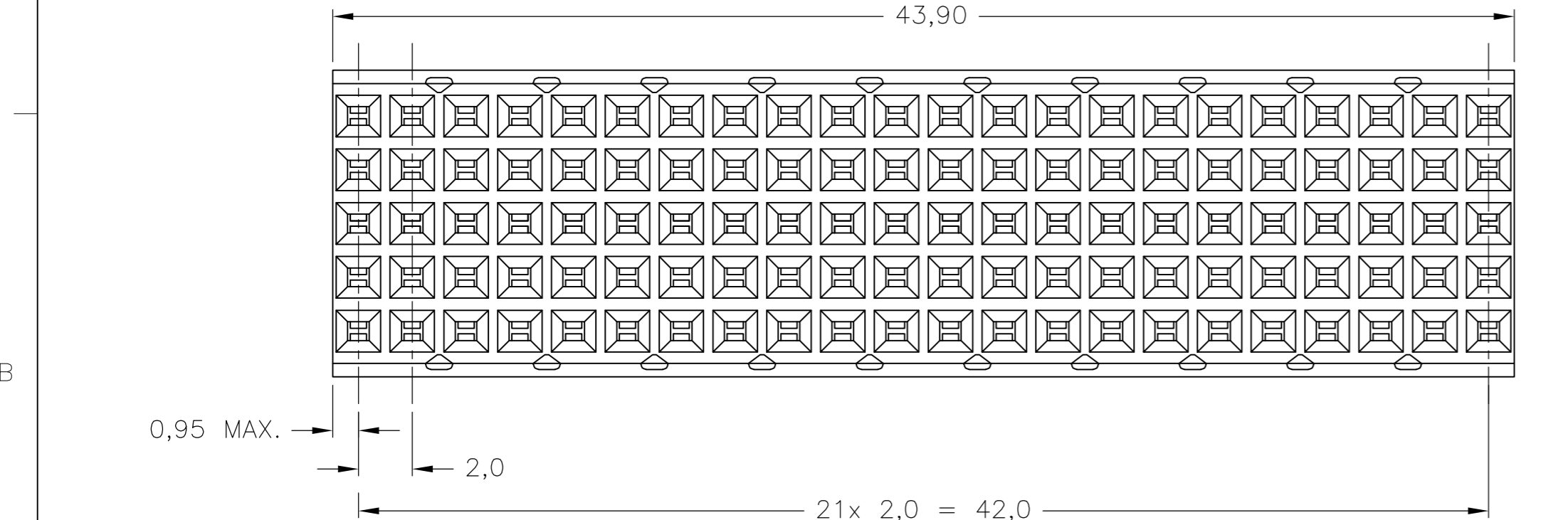
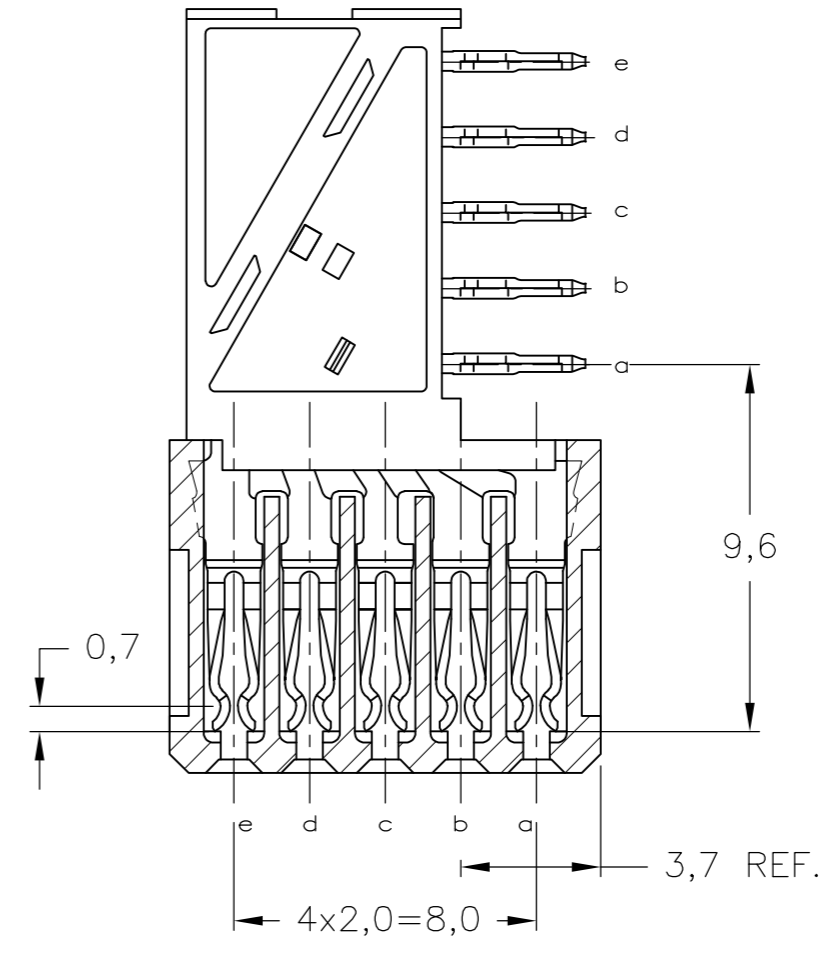
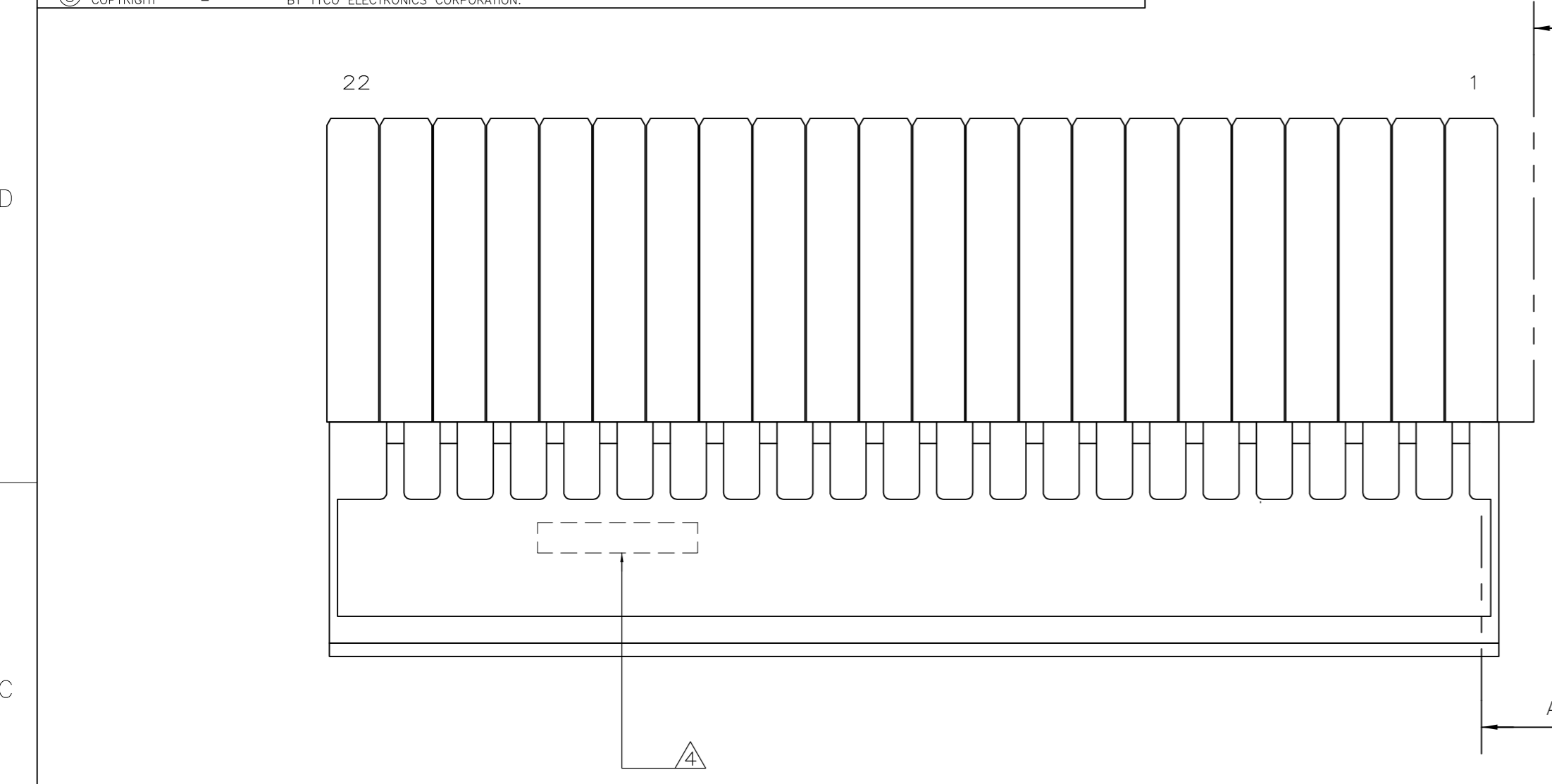
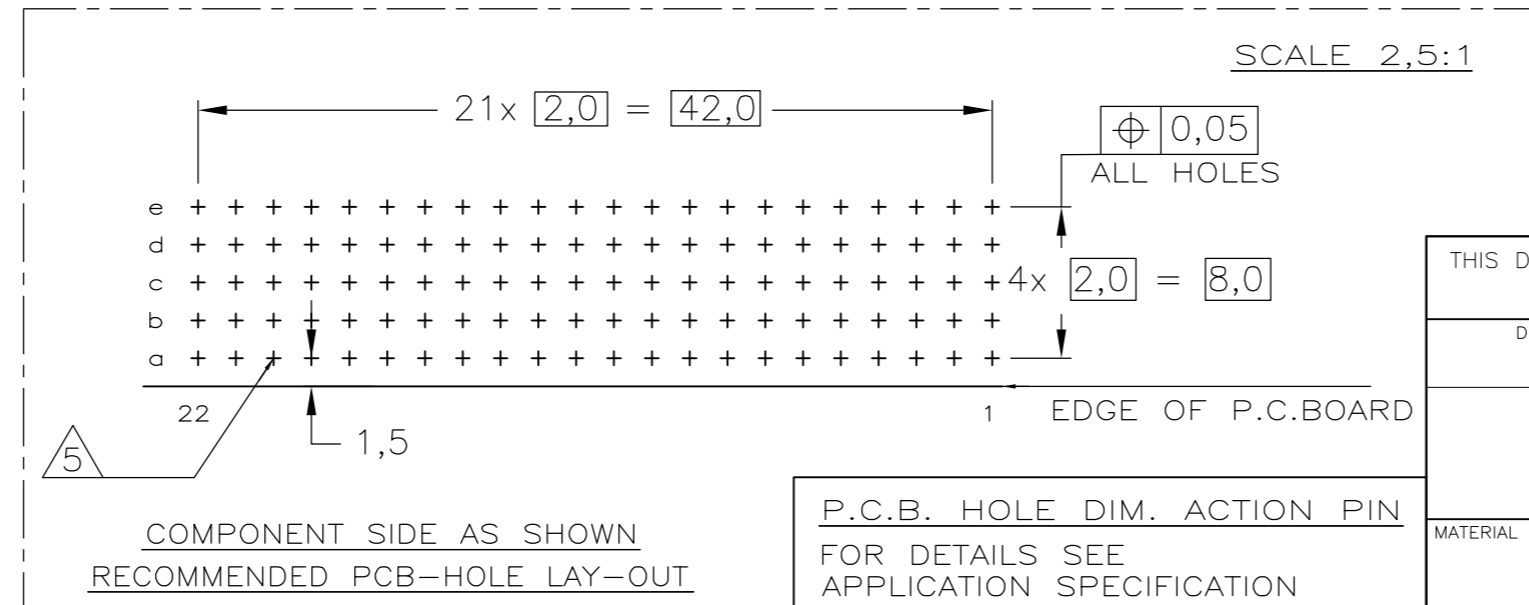


THIS DRAWING IS UNPUBLISHED. RELEASED FOR PUBLICATION
 © COPYRIGHT BY TYCO ELECTRONICS CORPORATION. ALL RIGHTS RESERVED.

LOC		DIST		REVISIONS			
P	LTR	DESCRIPTION	DATE	DWN	APVD		
	B	EH10-0680-05	02-JUN-05	BSV	BM		
	C	ECR-10-018652	10SEP10	SW	MQW		



- NOTES:**
- 1 MATERIAL CONTACT; PHOSPHORBRONZE
MATERIAL HOUSING; GLASSFILLED POLYESTER (GRAY)
UL-RATING 94V0.
 - 2 GENERAL PLATING SPECIFICATION: UNDERPLATING
(ENTIRE CONTACT): 1,27µm NICKEL MIN. AND ACTION
PIN: 0,5µm TIN MIN.
FOR PLATING OF MATING SURFACES SEE APPLICABLE
SPECIFICATION REFERENCE FOR EACH DASH NUMBER.
 - 3 CONFORMS TO ALL TESTING ACCORDING IEC 61076-4-101
PERFORMANCE LEVEL 2.
 - 4 CONNECTOR PRINTED WITH PARTNUMBER AND DATECODE
 - 5 PLATED-THROUGH HOLES AT 2x2mm
SQUARE GRID. 110 HOLES
 - 6. FITS WITH INTEGRATED GROUND RETURN UPPERSHIELD
BASIC P.N. 5352151



THIS DRAWING IS A CONTROLLED DOCUMENT.		DWN	13AUG2004	FINISH		MATERIAL		PARTNUMBER	
DIMENSIONS: mm		CHK	22MAR2005	2		1		5188836-1	
TOLERANCES UNLESS OTHERWISE SPECIFIED:		APVD	22MAR2005	3		1		5188836-1	
0 PLG ±		PRODUCT SPEC		B.MOOIJ		Tyco Electronics Corporation		Tyco Electronics Corporation	
1 PLG ±		APPLICATION SPEC		B.MOOIJ		's-Hertogenbosch, 5222AR-32			
2 PLG ± ±0.2				108-19082		NAME		Z-PACK 2mm HM	
3 PLG ±				114-19029		110 POS. FEMALE DAUGHTER CARD CONN.		(22 COLUMNS)	
4 PLG ±				WEIGHT		SIZE		RESTRICTED TO	
ANGLES ±				-		A2		-	
FINISH				CUSTOMER DRAWING		CAGE CODE		DRAWING NO	
						00779		C=5188836	
						SCALE		SHEET	
						5:1		1 OF 1	
								REV	
								C	