

4

3

2

1

THIS DRAWING IS UNPUBLISHED.

RELEASED FOR PUBLICATION

--

© COPYRIGHT - BY TYCO ELECTRONICS CORPORATION.

ALL RIGHTS RESERVED.

LOC

DIST

REVISIONS

GP

00

P

LTR

DESCRIPTION

DATE

DWN

APVD

0

RELEASED PER EC OS13-0288-05

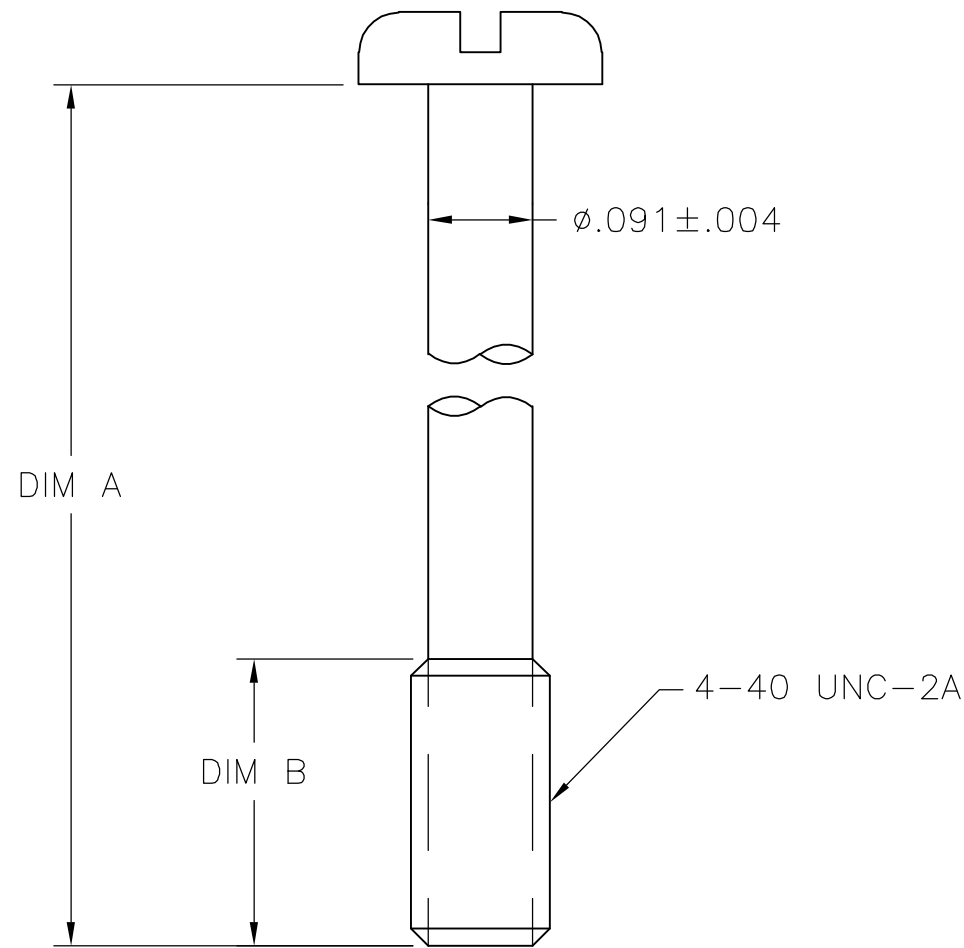
27JULY05

BM

JG



MATERIAL:
ZINC PLATED STEEL.

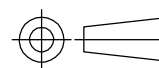


.20	1.00	5229911-4
.13	1.75	5229911-3
.25	.62	5229911-2
.25	.75	5229911-1
DIM B	DIM A	PART NO

**COPYRIGHT 2005
TYCO ELECTRONICS CORP
ALL RIGHTS RESERVED**

THIS DRAWING IS A CONTROLLED DOCUMENT.

DIMENSIONS:
INCHES



TOLERANCES UNLESS OTHERWISE SPECIFIED:

- 0 PLC ± -
- 1 PLC ± -
- 2 PLC ± .02
- 3 PLC ± -
- 4 PLC ± -
- ANGLES ± -

MATERIAL



FINISH



DWN B. MCMASTER 27JULY05

CHK W. MILLHIMES 27JULY05

APVD M. WALMSLEY 27JULY05

PRODUCT SPEC -

APPLICATION SPEC -

WEIGHT -

CUSTOMER DRAWING

tyco Tyco Electronics Corporation
Electronics Harrisburg, Pa 17105-3608

NAME
 SCREW, PAN HD, CAPTIVE

SIZE	CAGE CODE	DRAWING NO	RESTRICTED TO
A3	00779	C-5229911	-

SCALE	SHEET	OF	REV
6:1	1	1	0