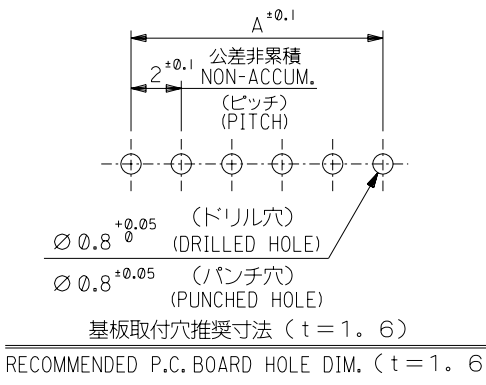
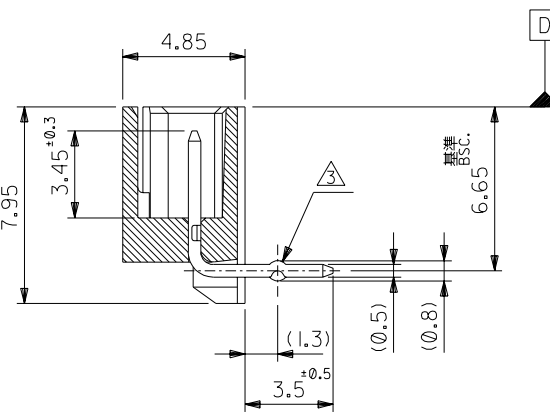
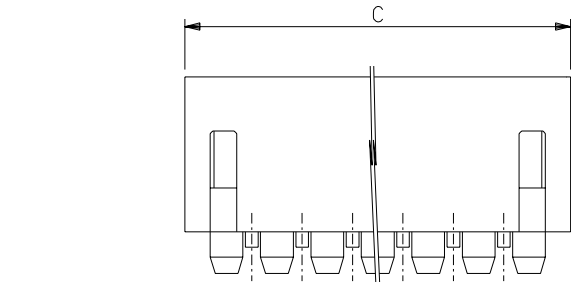
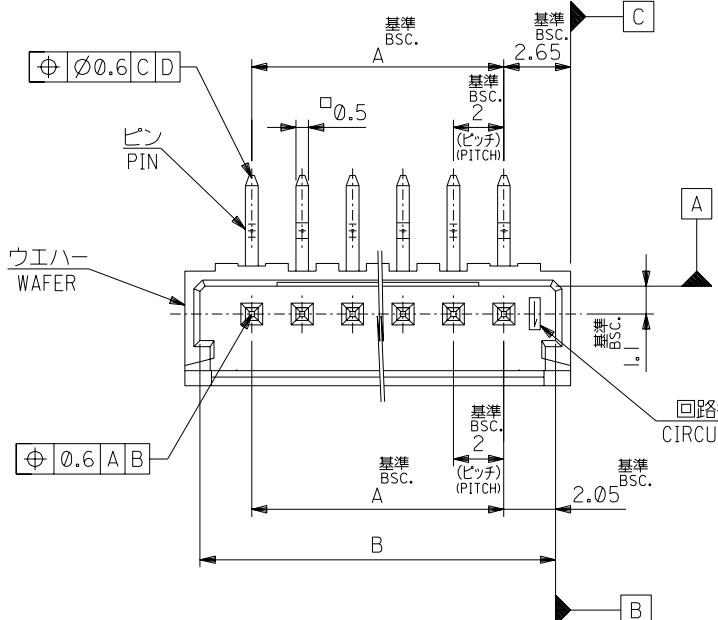


DWG. NO. SD-53325-002



注記 NOTES

1. 嵌合相手: 51090-\*\*\*00, 52484-\*\*\*1  
MATES WITH
2. 材質 MATERIAL  
ウエハー: PBT (ガラス15%入り)  
UL 94V-0  
WAFER: PBT (G.F. 15%), UL94V-0  
ピン: 黄銅, スズメッキ  
PIN: BRASS, PRE-TINNED

△ キンクは全ピンに交互に付加。2極はキンク無し。  
SET KINK ALTERNATELY TO ALL CIRCUITS.  
CIRCUIT 2 HAS NO KINK.

△ 製品番号 MATERIAL NO.  
53325-\*\*\*6\*  
極数CIRCUIT SIZE 色COLOR

ナチュラル (白) NATURAL (WHITE)	0
赤 RED	2
黄 YELLOW	3
青 BLUE	4

無鉛  
LEAD FREE

15	33.3	32.1	28	53325-156*	53325-***6*
14	31.3	30.1	26	-146*	
13	29.3	28.1	24	-136*	
12	27.3	26.1	22	-126*	
11	25.3	24.1	20	-116*	
10	23.3	22.1	18	-106*	
9	21.3	20.1	16	-096*	
8	19.3	18.1	14	-086*	
7	17.3	16.1	12	-076*	
6	15.3	14.1	10	-066*	
5	13.3	12.1	8	-056*	
4	11.3	10.1	6	-046*	
3	9.3	8.1	4	-036*	
2	7.3	6.1	2	53325-026*	
極数 CKT.	C	B	A	△ MATERIAL NO.	

DO NOT SCALE DRAWING

64 NO. DRWN: CH'K: APPR: 63 NO. DRWN: CH'K: APPR: 62 NO. DRWN: CH'K: APPR: 61 NO. DRWN: CH'K: APPR:	RELEASED 60 NO. J2003-1741 02/12/25 DRWN: S.SHIBATA CH'K: T.KANEKO APPR: YO.ITO	DESCRIPTION 25 26 27 28 29 30 31 32 33 34 35 36 37 38 39 40 41 42 43 44 45 46 47 48 49 50 51 52 53 54 55 56 57 58 59 60 61 62 63 64 65 66 67 68 69 70 71 72 73 74 75 76 77 78 79 80 81 82 83 84 85 86 87 88 89 90 91 92 93 94 95 96 97 98 99 100	MATERIAL 材料 FINISH 仕上げ WIRE RANGE 適用線径範囲 INS. RANGE 被覆外径
--	---	--	---

注記参照 SEE NOTES	GENERAL TOLERANCES: (UNLESS SPECIFIED) 一般公差	SCALE 5-1 DESIGN UNITS <input checked="" type="checkbox"/> mm <input type="checkbox"/> INCH	DIMENSIONS: <input type="checkbox"/> mm <input type="checkbox"/> INCH <input checked="" type="checkbox"/> mm ONLY	SHT 1 OF 1 REV B
-------------------	---	---	---	---------------------

10 UNDER 未満 ±0.2 10 OVER 以上 30 UNDER 未満 ±0.25 30 OVER 以上 ±0.3 ANGLE 角度 ±3°	DRAWN BY & DATE S. Shibata '02/12/25 CHECKED BY & DATE J. Moprawo '02/12/25 APPROVED BY & DATE Y. Ito '02/12/25	TITLE: 2.0 WIRE TO BOARD CONN. WAFER ASS'Y (R/A)	MOLEX MOLEX INCORPORATED	CAD FILENAME SD-53325-002.DGN	MATERIAL NO. SEE CHART	DRAWING NO. SD-53325-002	SHEET NO. 1 OF 1
---	--	--	--------------------------	----------------------------------	---------------------------	-----------------------------	---------------------

THIS DRAWING CONTAINS INFORMATION THAT IS PROPRIETARY TO MOLEX INCORPORATED AND SHOULD NOT BE USED WITHOUT WRITTEN PERMISSION.