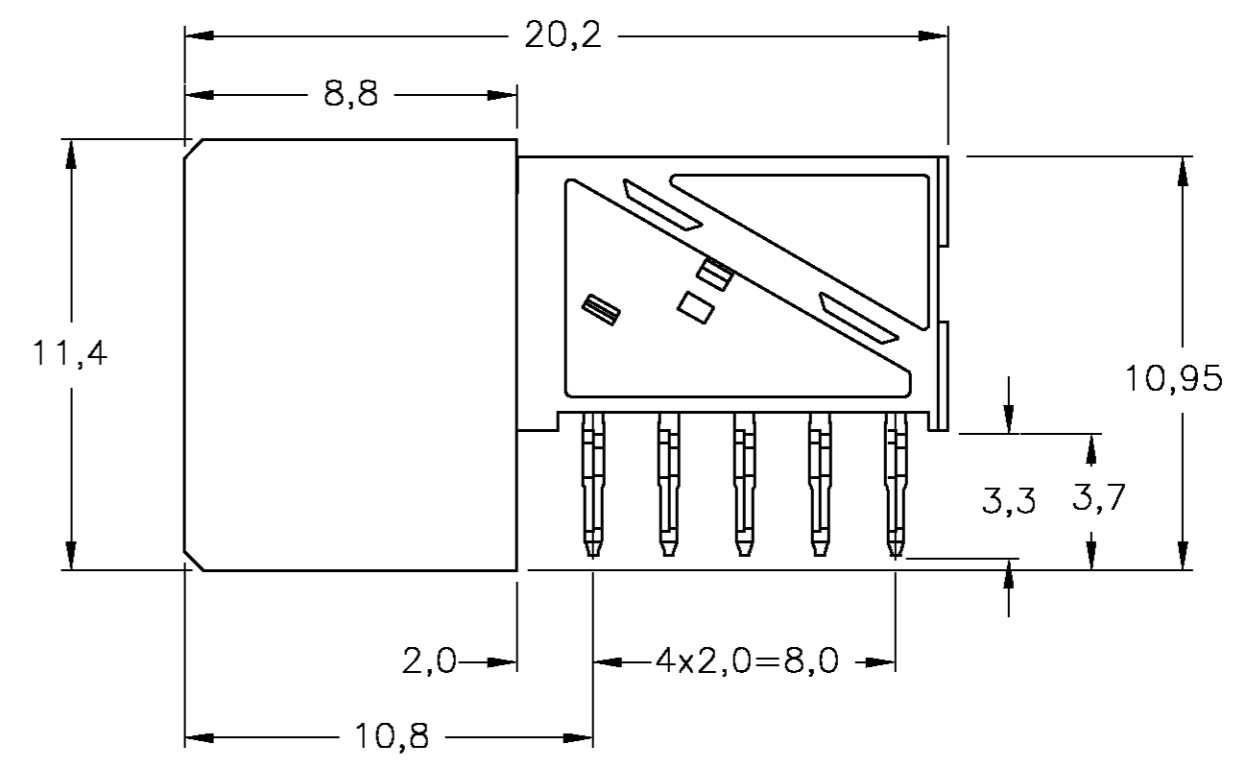
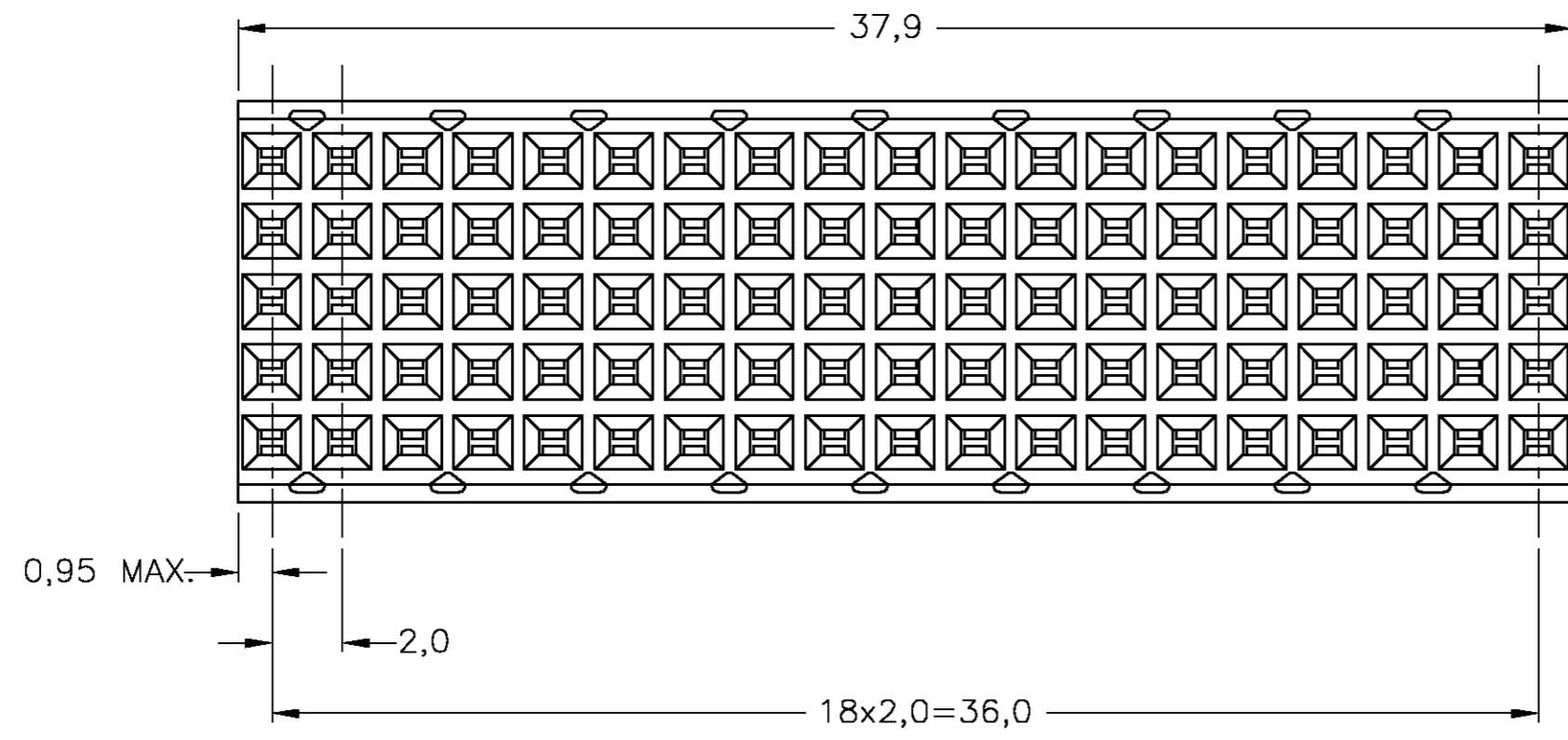
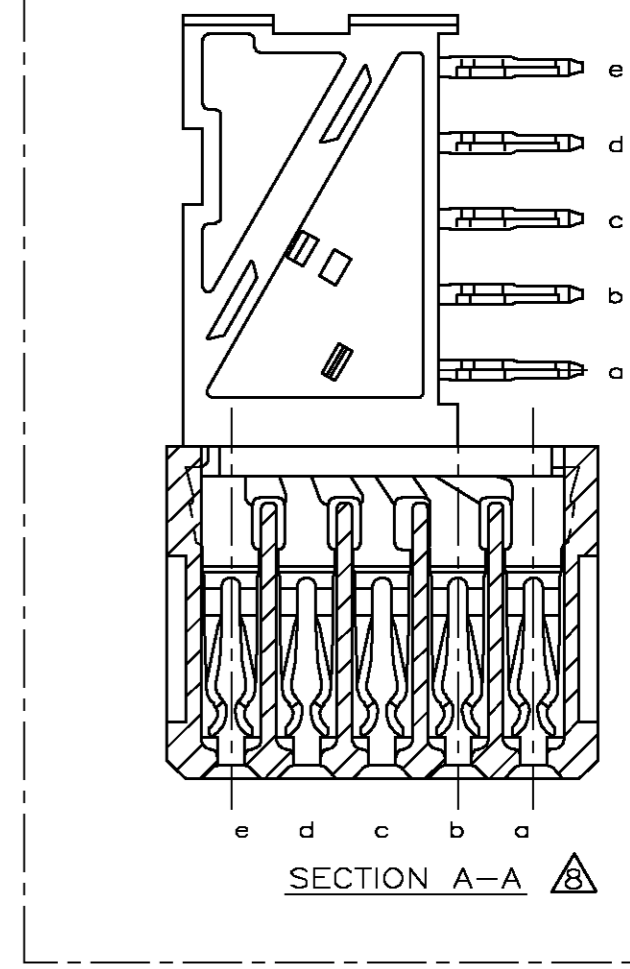
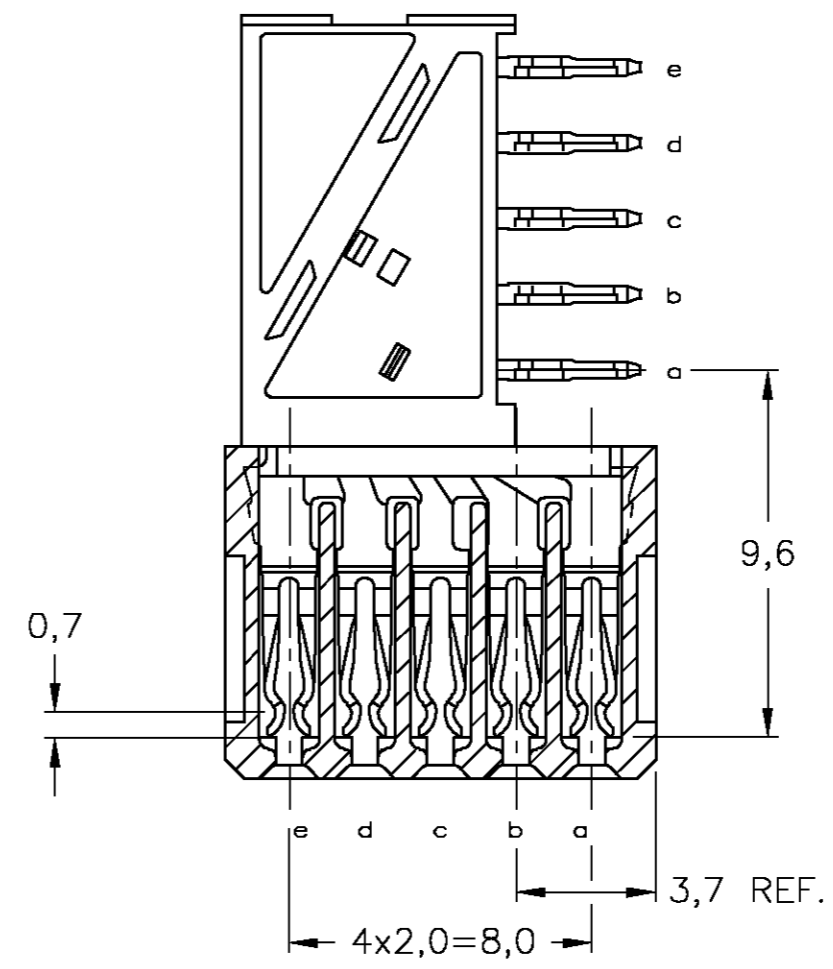
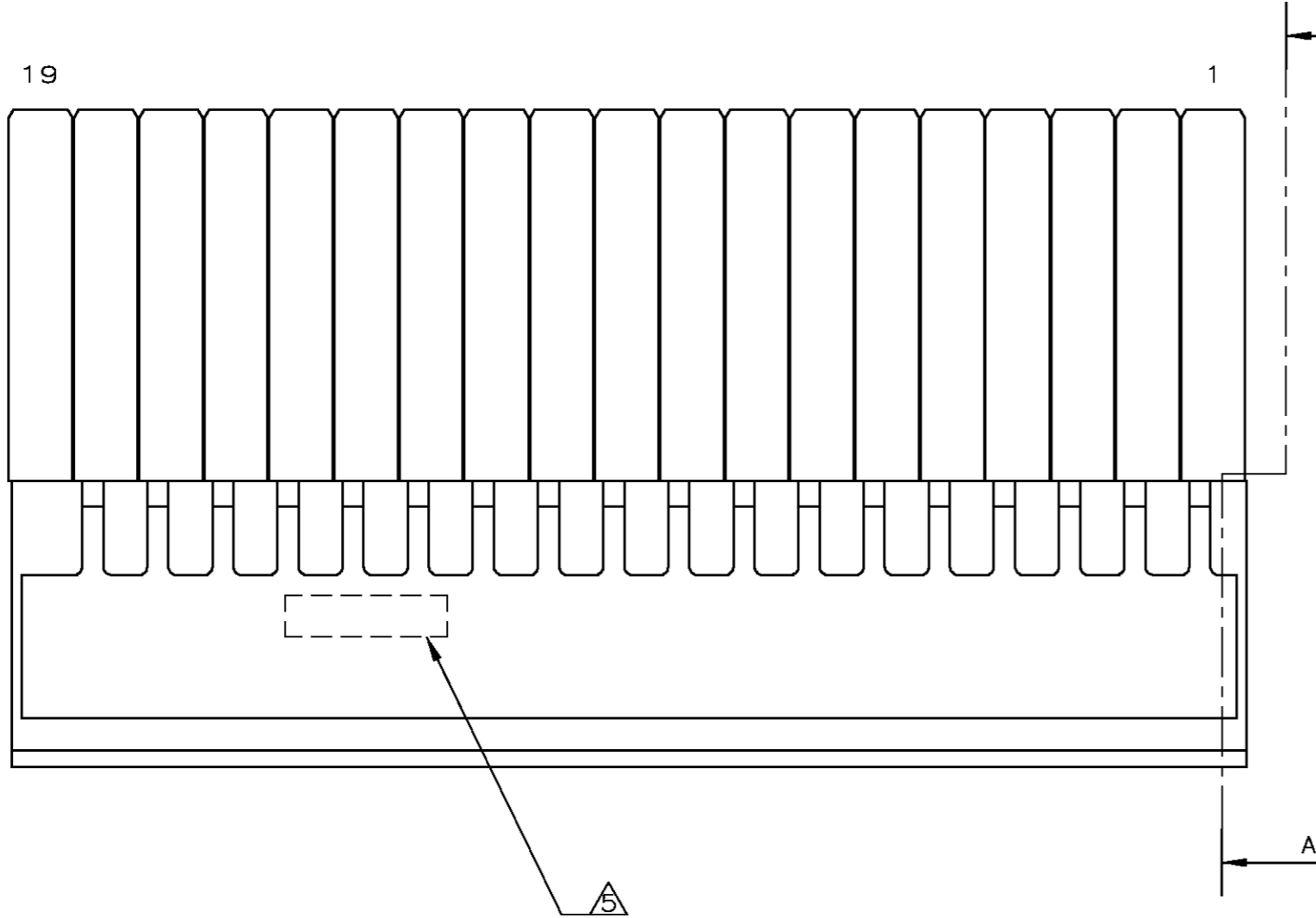
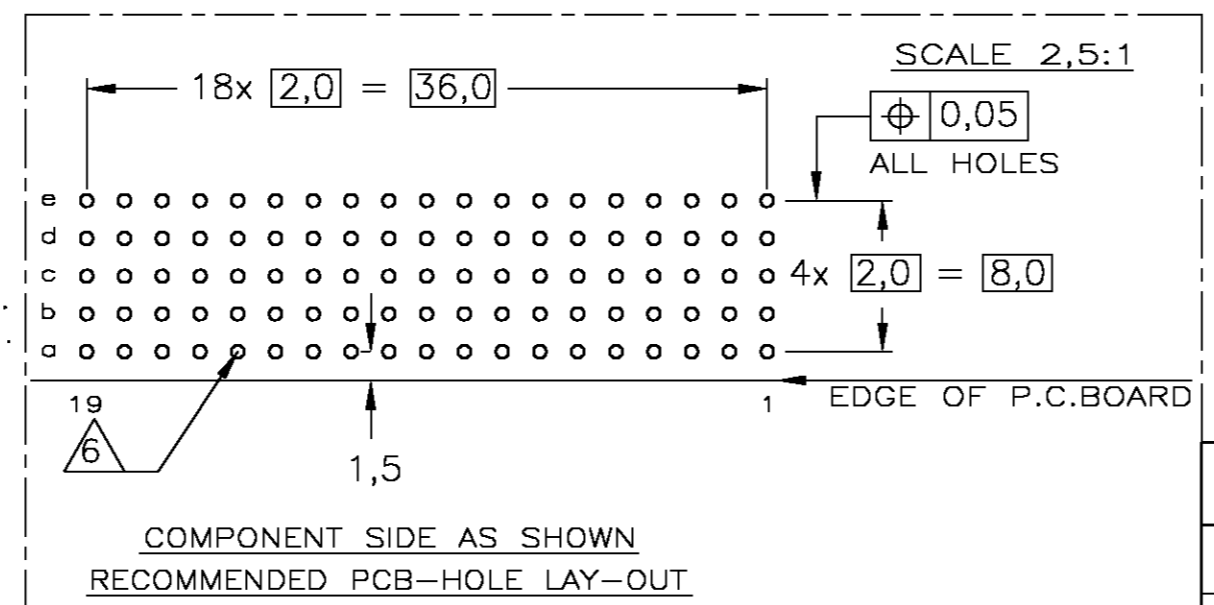


THIS DRAWING IS UNPUBLISHED. RELEASED FOR PUBLICATION
 © COPYRIGHT BY TYCO ELECTRONICS CORPORATION. ALL RIGHTS RESERVED.

| LOC | | DIST | | REVISIONS | | | |
|-----|-----|--------------|---------|-----------|------|--|--|
| P | LTR | DESCRIPTION | DATE | DWN | APVD | | |
| B | | EH10-0680-05 | 31MAY05 | BSV | BM | | |



- NOTES:**
- ⚠ MATERIAL CONTACT; PHOSPHORBRONZE
 - ⚠ MATERIAL HOUSING; GLASSFILLED POLYESTER UL-RATING 94V0 (GRAY)
 - ⚠ GENERAL PLATING SPECIFICATION: UNDERPLATING (ENTIRE CONTACT): 1,27µm NICKEL MIN. AND ACTION PIN: 0,5µm TIN MIN. FOR PLATING OF MATING SURFACES SEE APPLICABLE SPECIFICATION REFERENCE FOR EACH DASH NUMBER.
 - ⚠ CONFORMS TO ALL TESTING ACCORDING IEC 61076-4-101 PERFORMANCE LEVEL 2.
 - ⚠ CONFORMS TO ALL TESTING ACCORDING IEC 61076-4-101 PERFORMANCE LEVEL 1.
 - ⚠ CONNECTOR PRINTED WITH PARTNUMBER AND DATECODE THE MARKING CAN APPEAR ON THE FRONT SIDE OR ON THE BACK SIDE.
 - ⚠ PLATED-THROUGH HOLES AT 2x2mm SQUARE GRID. 95 HOLES
 - ⚠ FITS WITH INTEGRATED GROUND RETURN UPPERSHIELD, BASIC P.N. 5352028 AND INTEGRATED GROUND RETURN LOWERSHIELD, BASIC P.N. 5352029
 - ⚠ CONNECTOR ASSEMBLED WITH REDESIGNED CONTACTS. CONTACTS HAVE A CORING-OUT IN THE PLASTIC.



P.C.B. HOLE DIM. ACTION PIN
 FOR DETAILS SEE APPLICATION SPECIFICATION

| | | | | | | | | | | | | | | | | | |
|--|--|-------------------------------|---|--|-------------------------|---------------|------------|-------|-----|-----------|-----|--------|-----------|--------|---|--|--|
| THIS DRAWING IS A CONTROLLED DOCUMENT. | | DWN K.N.KIRAN 13AUG2004 | Tyco Electronics Corporation 's-Hertogenbosch, 5222AR-32 | | | | | | | | | | | | | | |
| DIMENSIONS: mm | TOLERANCES UNLESS OTHERWISE SPECIFIED: | CHK B.MOOIJ 22MAR2005 | NAME B.MOOIJ 22MAR2005 | <table border="1"> <tr> <td>FINISH</td> <td>MATERIAL</td> <td>PARTNUMBER</td> </tr> <tr> <td>⚠</td> <td>⚠</td> <td>5352009-4</td> </tr> <tr> <td>⚠</td> <td>⚠</td> <td>5352009-1</td> </tr> </table> | FINISH | MATERIAL | PARTNUMBER | ⚠ | ⚠ | 5352009-4 | ⚠ | ⚠ | 5352009-1 | | | | |
| FINISH | MATERIAL | PARTNUMBER | | | | | | | | | | | | | | | |
| ⚠ | ⚠ | 5352009-4 | | | | | | | | | | | | | | | |
| ⚠ | ⚠ | 5352009-1 | | | | | | | | | | | | | | | |
| <table border="1"> <tr> <td>0 PLC</td> <td>± -</td> </tr> <tr> <td>1 PLC</td> <td>± -</td> </tr> <tr> <td>2 PLC</td> <td>± -</td> </tr> <tr> <td>3 PLC</td> <td>± -</td> </tr> <tr> <td>4 PLC</td> <td>± -</td> </tr> <tr> <td>ANGLES</td> <td>± -</td> </tr> <tr> <td>FINISH</td> <td>-</td> </tr> </table> | | 0 PLC | ± - | 1 PLC | ± - | 2 PLC | ± - | 3 PLC | ± - | 4 PLC | ± - | ANGLES | ± - | FINISH | - | PRODUCT SPEC 108-19082 APPLICATION SPEC 114-19029 | Z-PACK 2mm HM 95 POS. (19 COLUMNS) FEMALE DAUGHTER CARD CONNECTOR |
| 0 PLC | ± - | | | | | | | | | | | | | | | | |
| 1 PLC | ± - | | | | | | | | | | | | | | | | |
| 2 PLC | ± - | | | | | | | | | | | | | | | | |
| 3 PLC | ± - | | | | | | | | | | | | | | | | |
| 4 PLC | ± - | | | | | | | | | | | | | | | | |
| ANGLES | ± - | | | | | | | | | | | | | | | | |
| FINISH | - | | | | | | | | | | | | | | | | |
| MATERIAL | | WEIGHT | SIZE A2 | CAGE CODE 00779 | DRAWING NO C=5352009 | RESTRICTED TO | | | | | | | | | | | |
| | | CUSTOMER DRAWING | | SCALE 5:1 | SHEET 1 OF 1 | REV B | | | | | | | | | | | |