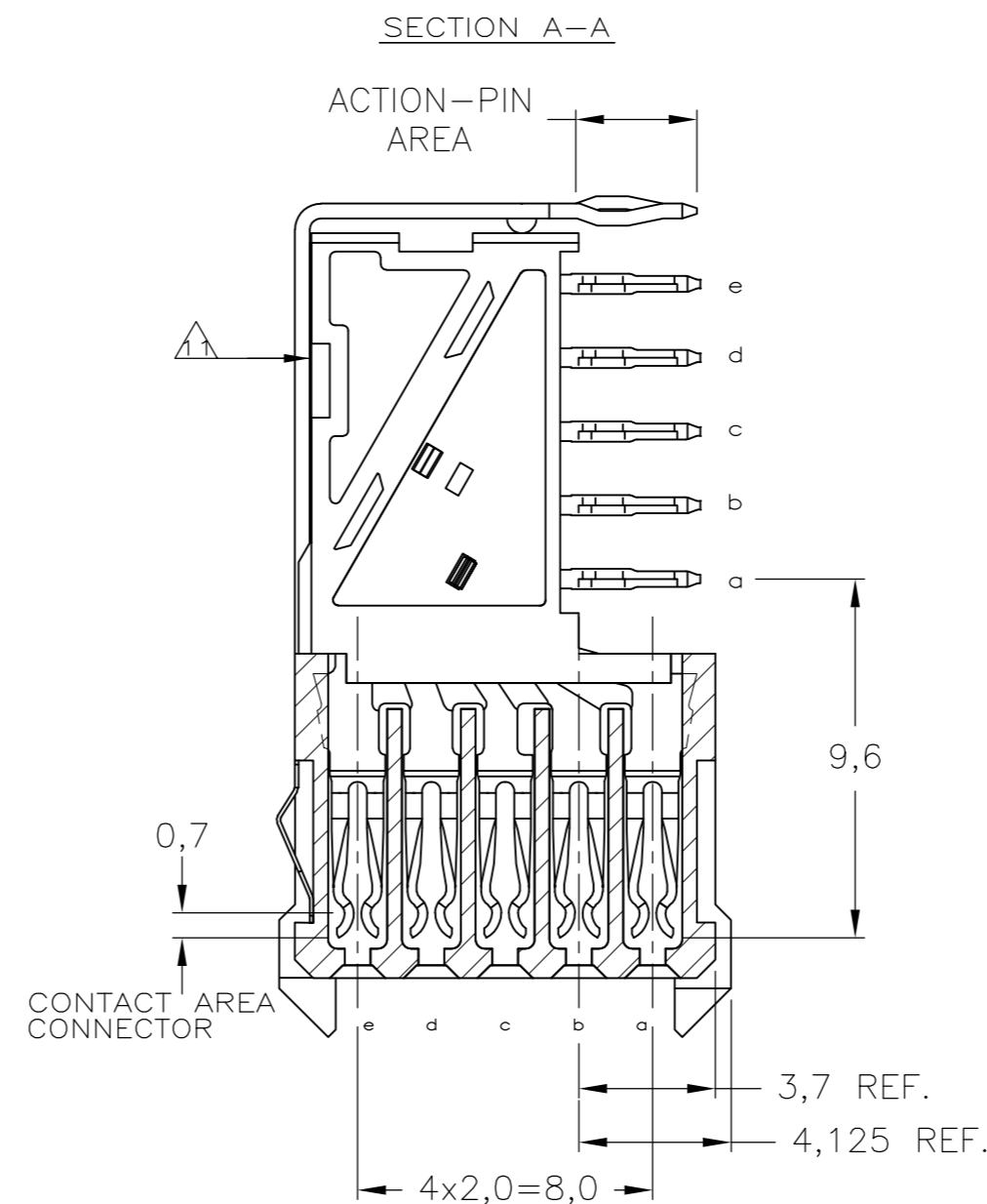
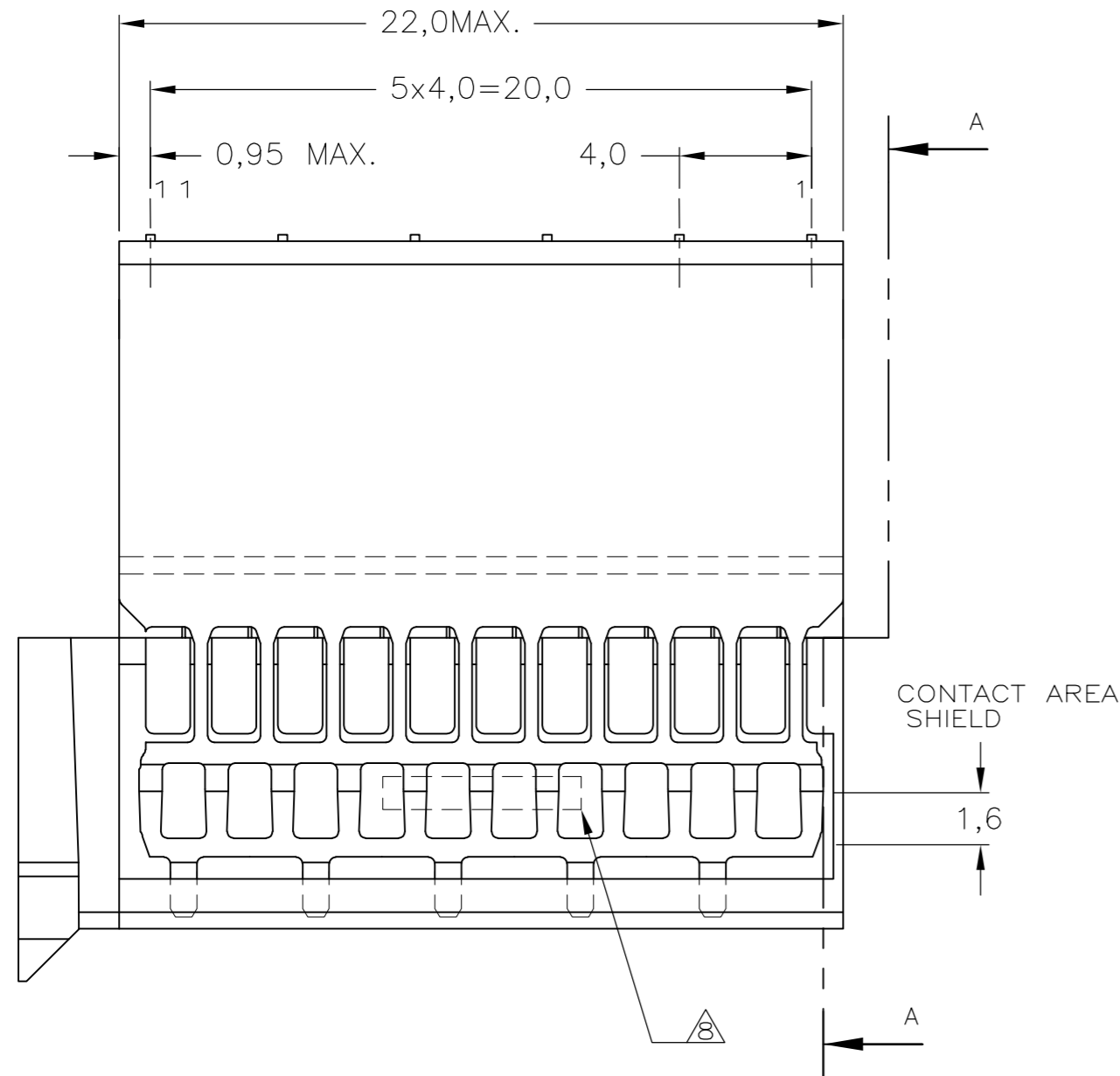


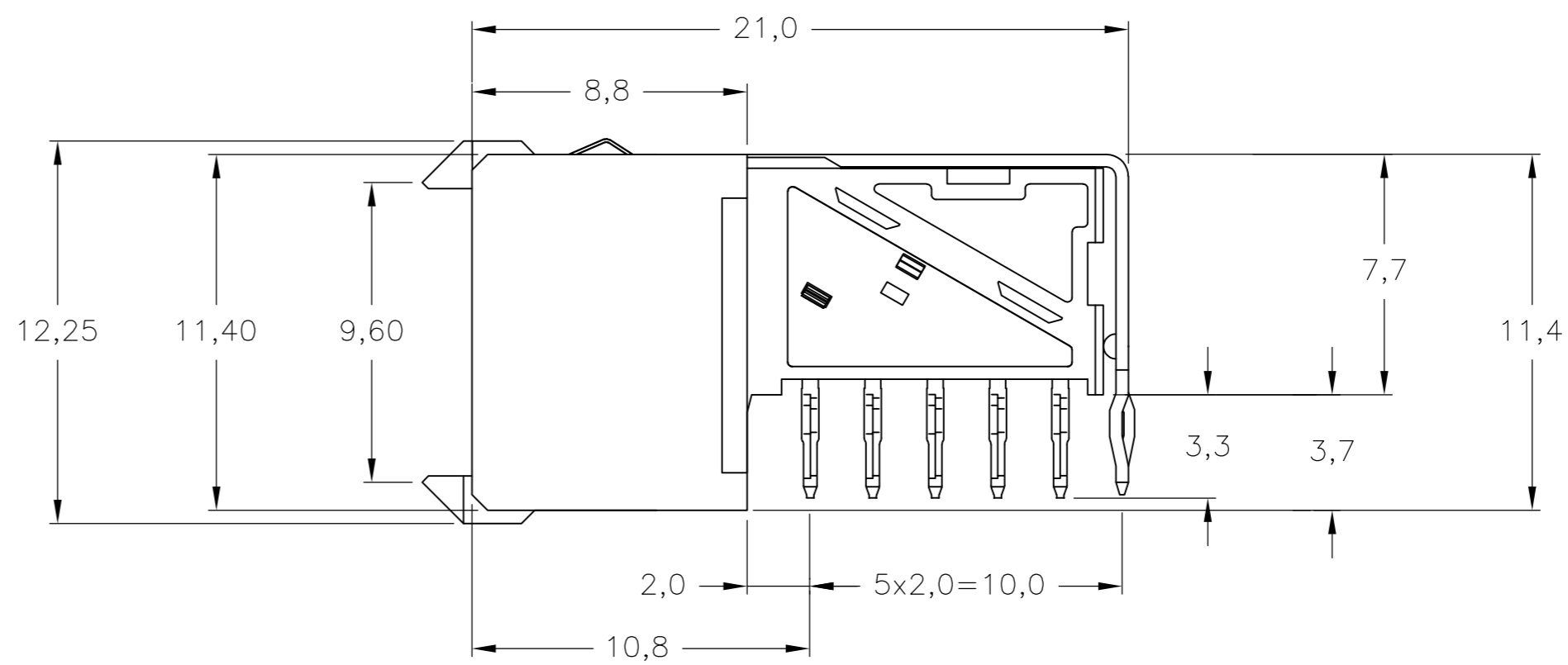
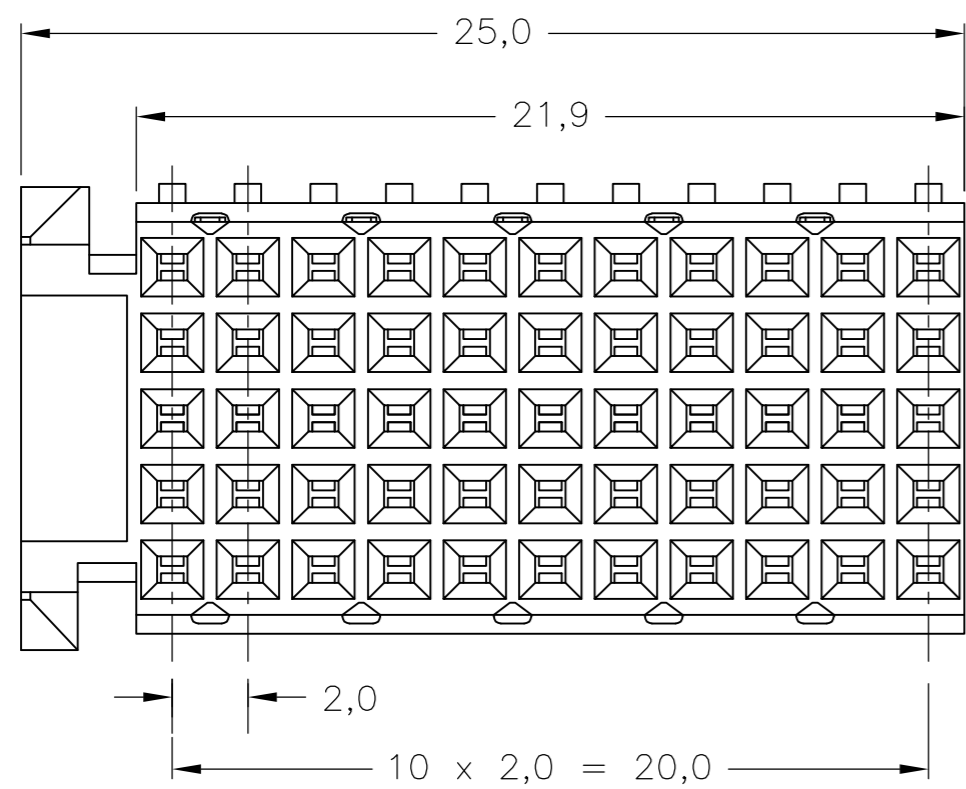
THIS DRAWING IS UNPUBLISHED. RELEASED FOR PUBLICATION
 © COPYRIGHT BY TYCO ELECTRONICS CORPORATION. ALL RIGHTS RESERVED.

LOC	DIST	REVISIONS					
		P	LTR	DESCRIPTION	DATE	DWN	APVD
H	-	B2		ECR-07-019485	19SEP2007	JvH	BM
		C		ECR-10-018652	10SEP10	SW	MQW

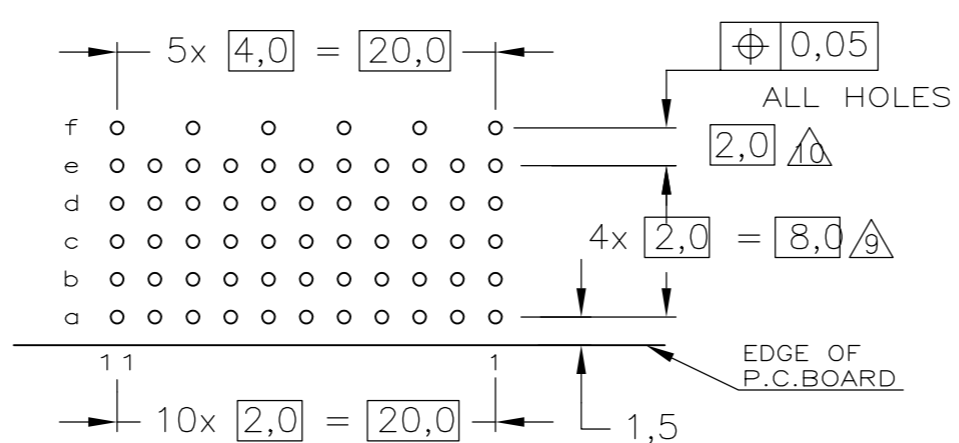


NOTES:

- △ MATERIAL CONTACTS; PHOSPHORBRONZE
MATERIAL SHIELD ; PHOSPHORBRONZE
MATERIAL HOUSING; GLASSFILLED POLYESTER (GRAY)
- △ GENERAL PLATING SPECIFICATION: UNDERPLATING (ENTIRE CONTACT):
1,27µm NICKEL MIN. AND ACTION PIN: 0,5µm TIN MIN.
FOR PLATING OF MATING SURFACES SEE APPLICABLE SPECIFICATION REFERENCE FOR EACH DASH NUMBER.
- △ CONFORMS TO ALL TESTING ACCORDING IEC 61076-4-101 PERFORMANCE LEVEL 2.
- △ CONFORMS TO ALL TESTING ACCORDING IEC 61076-4-101 PERFORMANCE LEVEL 1.
- △ CONNECTOR TESTED AND QUALIFIED AGAINST TELCORDIA GR-1217-CORE QUALITY LEVEL III, CENTRAL OFFICE APPLICATIONS.
- △ CONNECTOR LUBRICATED WITH TELCORDIA GR-1217-CORE APPROVED LUBRICANT.
- △ PLATING SHIELD:
CONTACT AREA: 0,76µm Au MIN.
ACTION PIN : 0,5µm Sn MIN.
REMAINDER : Ni
- △ ASSEMBLY PRINTED WITH P/N AND DATECODE
THE MARKING CAN APPEAR ON THE FRONT SIDE OR BACK SIDE.
- △ HOLE PATTERN FOR FEMALE CONNECTOR TYPE C
55 PLATED-THROUGH HOLES AT 2x2mm SQUARE GRID
- △ ROW "f" 6 PLATED THROUGH HOLES FOR UPERSHIELD
- △ SHIELD MOUNTED ON CONNECTOR WITH DOUBLE SIDED ADHESIVE TAPE OR ADHESIVE
- 12 FITS WITH LOWERSHIELD, BASIC PARTNUMBER : 5352112.



COMPONENT SIDE AS SHOWN RECOMMENDED PCB-HOLE LAY-OUT SCALE 2,5:1



P.C.B. HOLE DIM. ACTION PIN
FOR DETAILS SEE APPLICATION SPECIFICATION

THIS DRAWING IS A CONTROLLED DOCUMENT.		DWN K.N.KIRAN 19AUG2004	Tyco Electronics Corporation	
DIMENSIONS: mm		CHK B.MOOIJ 24SEP2004	's-Hertogenbosch,5222AR-32	
TOLERANCES UNLESS OTHERWISE SPECIFIED:		APVD B.MOOIJ 24SEP2004	NAME	
0-PLC ±		PRODUCT SPEC	Z-PACK 2mm HM	
1-PLC ±		APPLICATION SPEC	TYPE C - 11 COLUMNS	
2-PLC ±		108-19082	PRE-SHIELDED RECEPTACLE	
3-PLC ±		114-19029	SIZE A2	CAGE CODE 00779
4-PLC ±		WEIGHT -	DRAWING NO	RESTRICTED TO
ANGLES ±		CUSTOMER DRAWING	C=5352115	-
FINISH -		SCALE 5:1	SHEET 1 OF 1	REV C