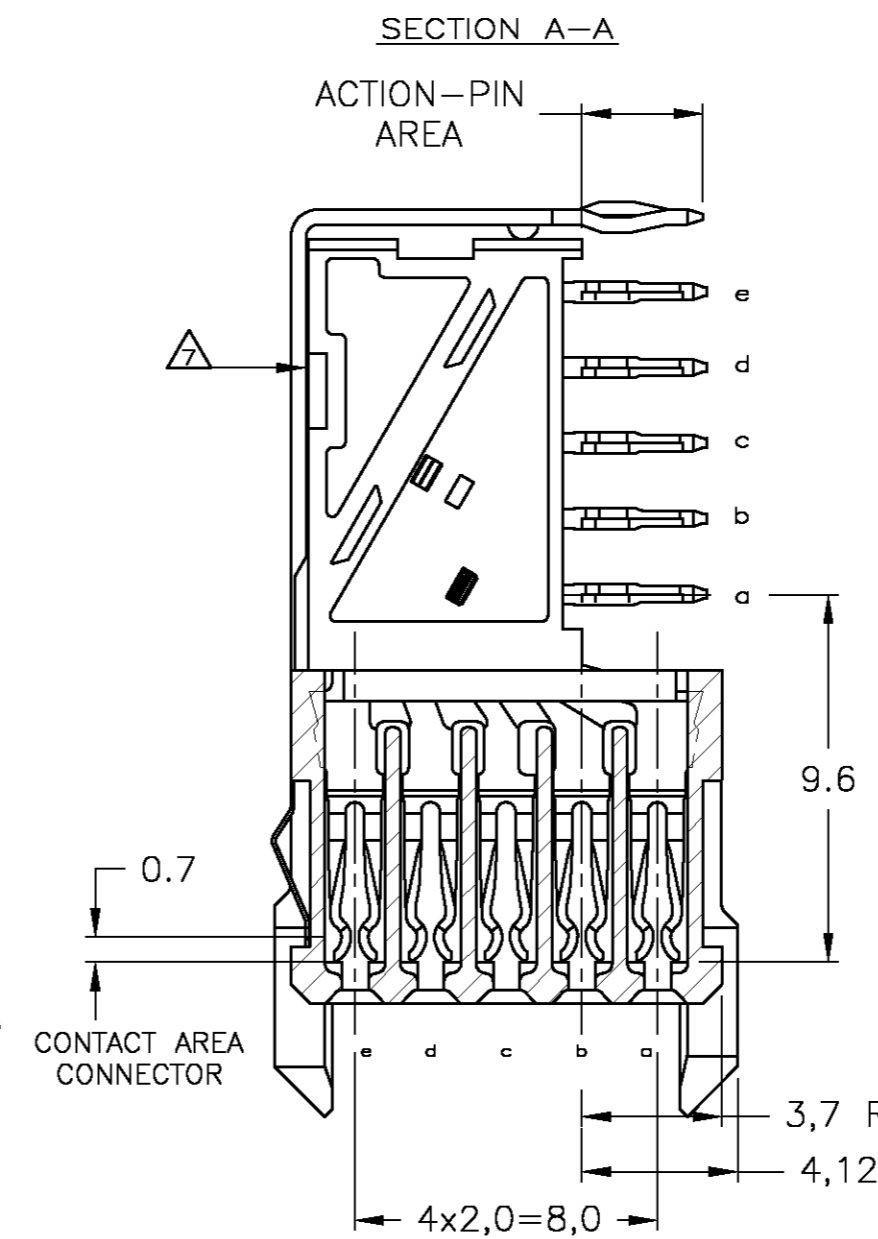
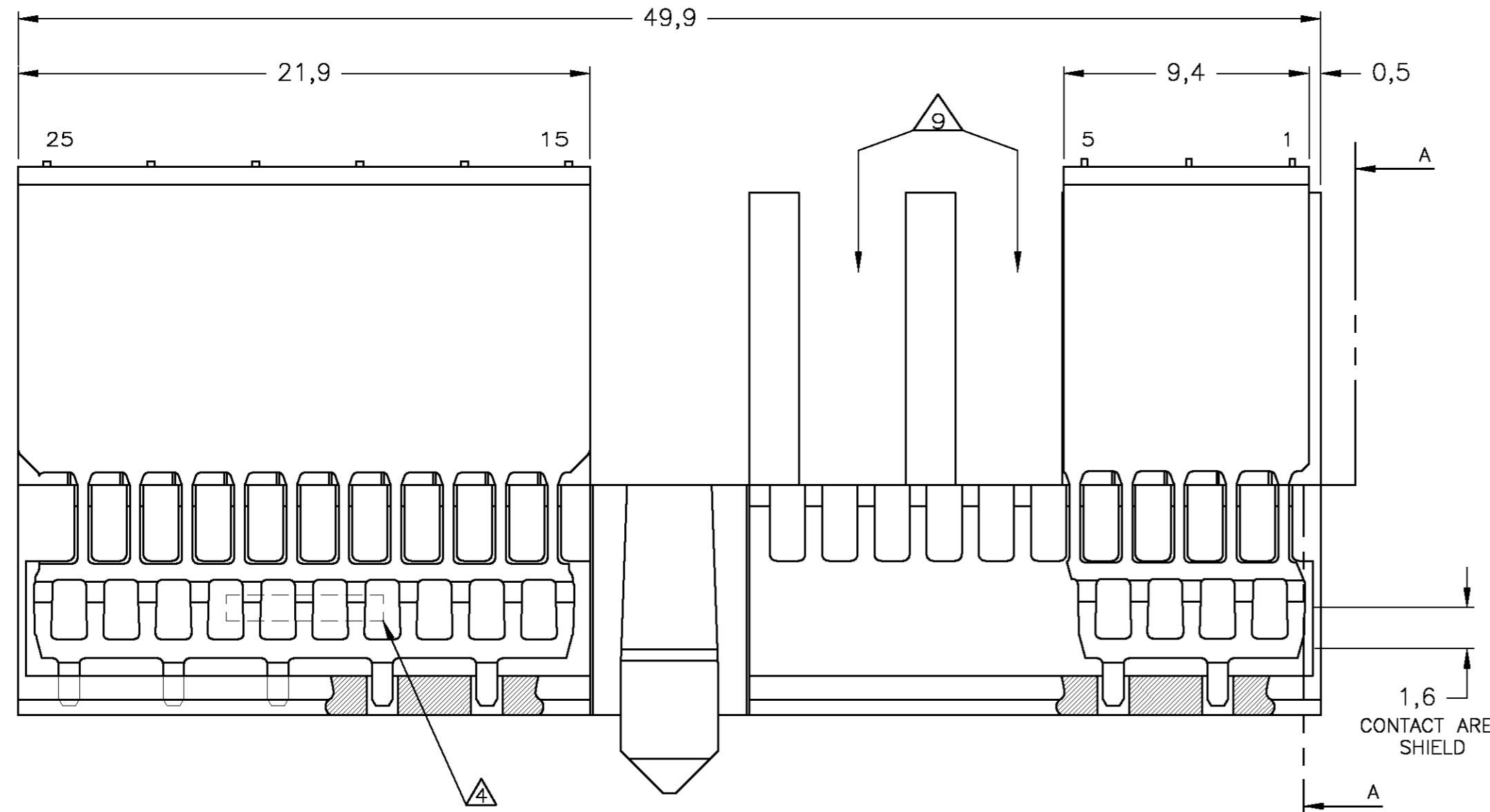
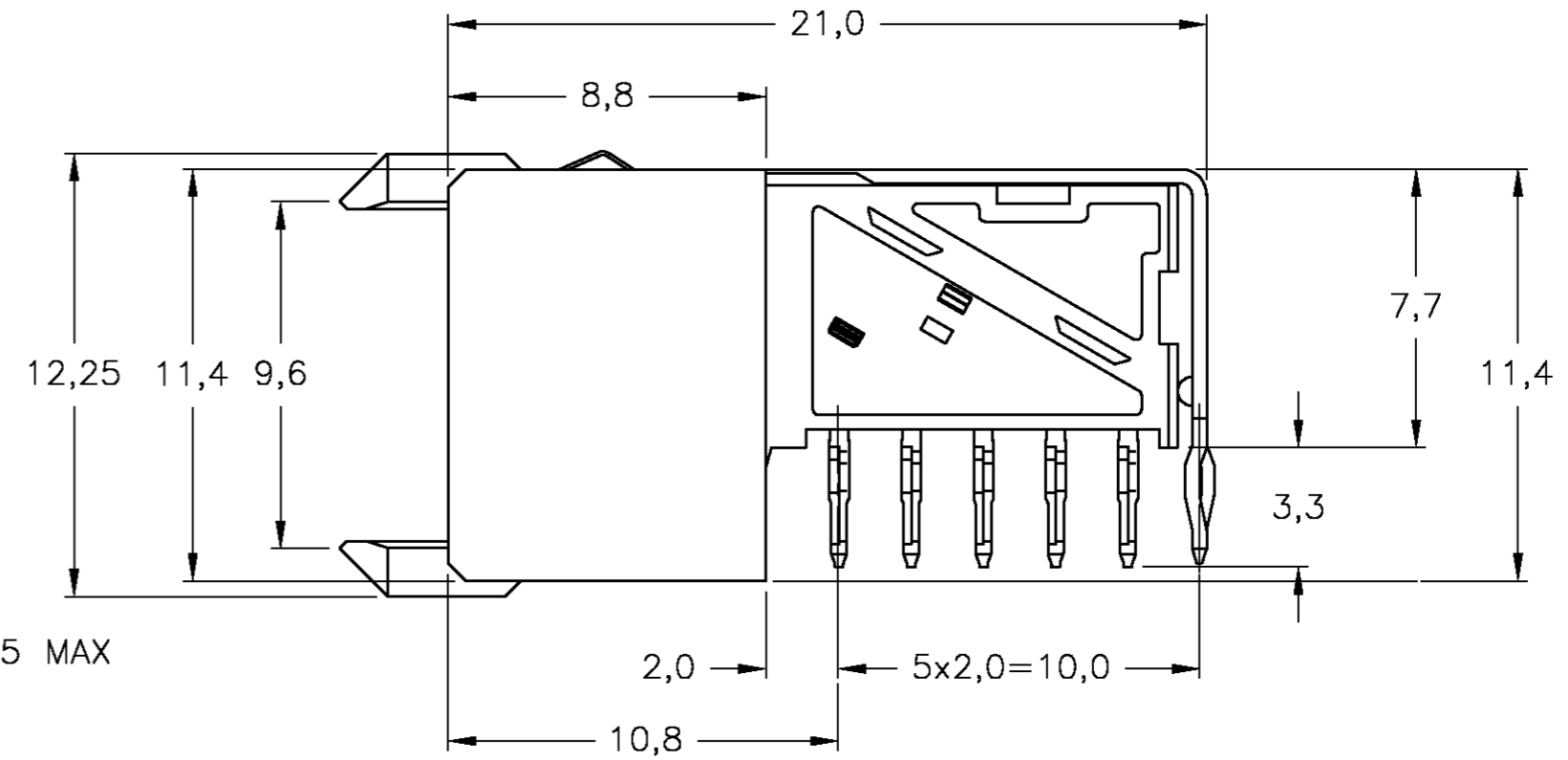
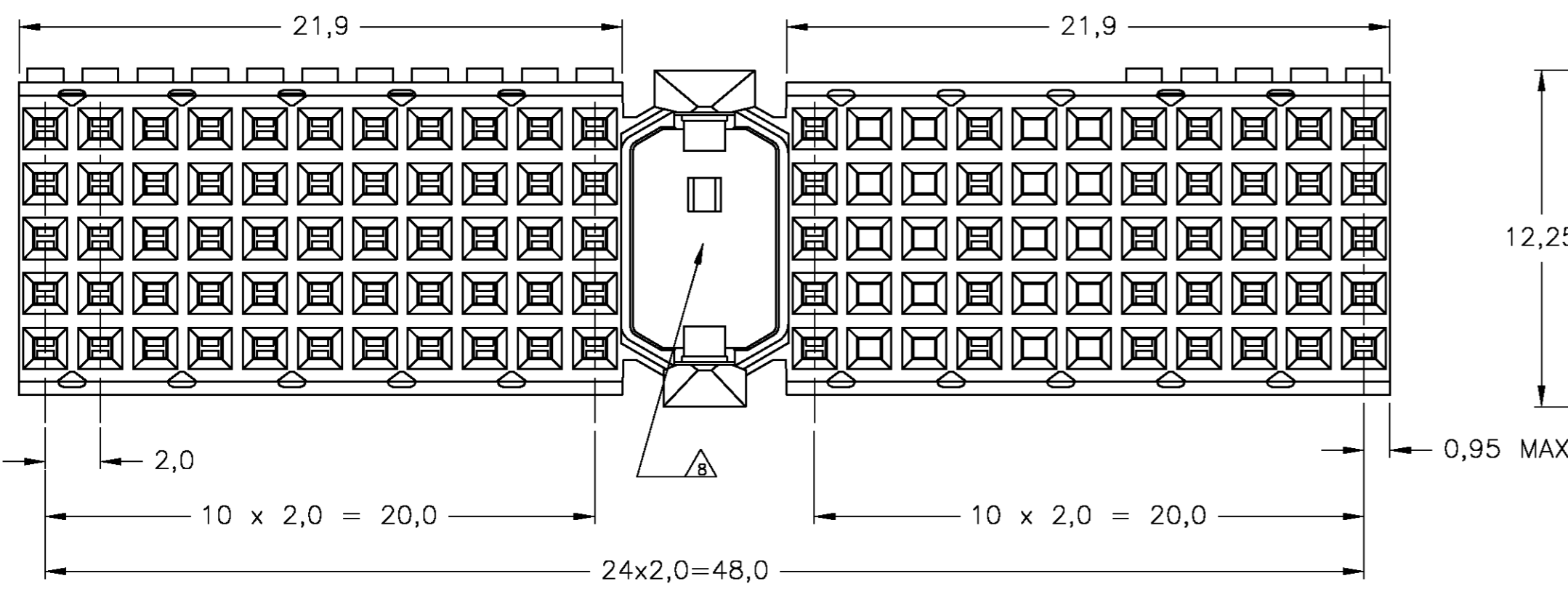


THIS DRAWING IS UNPUBLISHED. RELEASED FOR PUBLICATION
 © COPYRIGHT BY TYCO ELECTRONICS CORPORATION. ALL RIGHTS RESERVED.

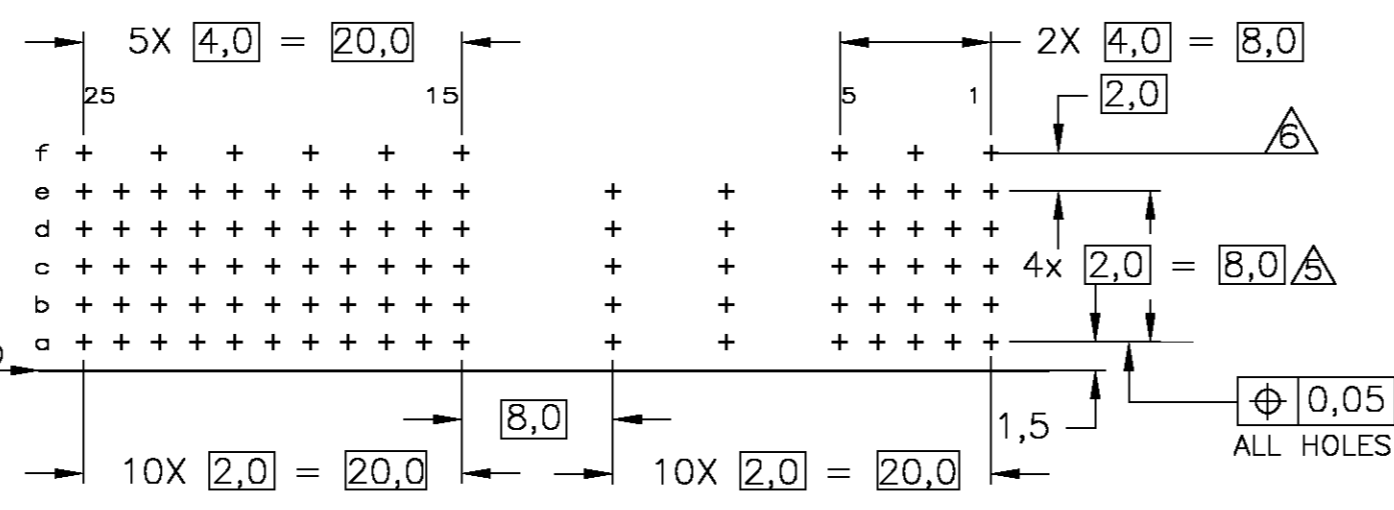
| LOC | | DIST | | REVISIONS | | | |
|-----|-----|---------------|-----------|-----------|------|--|--|
| P | LTR | DESCRIPTION | DATE | DWN | APVD | | |
| A1 | | ECR-07-008404 | 18APR2007 | JvH | BM | | |



- NOTES:**
- ⚠️ PLATING CONNECTOR:
CONTACT AREA: 0,76µm Au MIN. OVER 1,27µm Ni MIN.
ACTION PIN : 0,5µm Sn MIN. OVER 1,27 µm Ni MIN.
 - ⚠️ PLATING SHIELD:
CONTACT AREA: 0,76µm Au MIN.
ACTION PIN : 0,5µm Sn MIN.
REMAINDER : Ni
 - ⚠️ MATERIAL CONTACTS AND SHIELDS; PHOSPHORBRONZE
MATERIAL HOUSING; GLASSFILLED POLYESTER (GRAY)
 - ⚠️ ASSEMBLY PRINTED WITH P/N AND DATECODE
THE MARKING CAN APPEAR ON THE FRONT SIDE OR THE BACK SIDE
 - ⚠️ HOLE PATTERN FOR FEMALE CONNECTOR
90 PLATED-THROUGH HOLES AT 2x2mm SQUARE GRID
 - ⚠️ ROW "f" 9 PLATED THROUGH HOLES FOR BOTH UPPERSHIELDS
 - ⚠️ SHIELDS MOUNTED ON CONNECTOR WITH DOUBLE SIDED ADHESIVE TAPE
 - ⚠️ AREA RESERVED FOR KEYING PART (BASIC P.N. 100526)
 - ⚠️ NO CONTACTS ON COLUMNS 6-7 AND 9-10



COMPONENT SIDE AS SHOWN
 RECOMMENDED PCB-HOLE LAY-OUT
 SCALE 2,5:1



P.C.B. HOLE DIM. ACTION PIN
 FOR DETAILS SEE
 APPLICATION SPECIFICATION

| | | | | | |
|---|--|------------------------------|--|--------------------|-------------------------|
| THIS DRAWING IS A CONTROLLED DOCUMENT. | | DWN K.N.KIRAN 24AUG04 | FINISH ⚠️ ⚠️ | MATERIAL ⚠️ | PARTNUMBER 5352359-1 |
| DIMENSIONS: mm | | CHK B.MOOIJ 22MAR2005 | Tyco Electronics Corporation 's-Hertogenbosch,5222AR-32 | | |
| TOLERANCES UNLESS OTHERWISE SPECIFIED: | | APVD B.MOOIJ 22MAR2005 | NAME Z-PACK 2mm HM TYPE A - 16 COLUMNS (J4 VERSION) PRE-SHIELDED RECEPTACLE | | |
| 0 PLC ± - 1 PLC ± - 2 PLC ± - 3 PLC ± - 4 PLC ± - ANGLES ± - | | PRODUCT SPEC 108-19082 | SIZE A2 | CAGE CODE 00779 | DRAWING NO C=5352359 |
| MATERIAL - | | FINISH - | WEIGHT - | RESTRICTED TO - | SCALE 5:1 |
| CUSTOMER DRAWING | | | SHEET 1 | OF 1 | REV A1 |