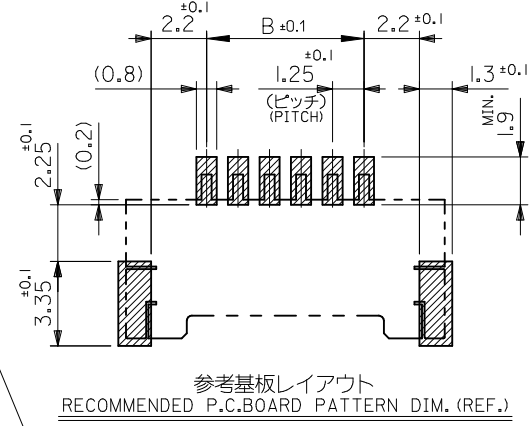
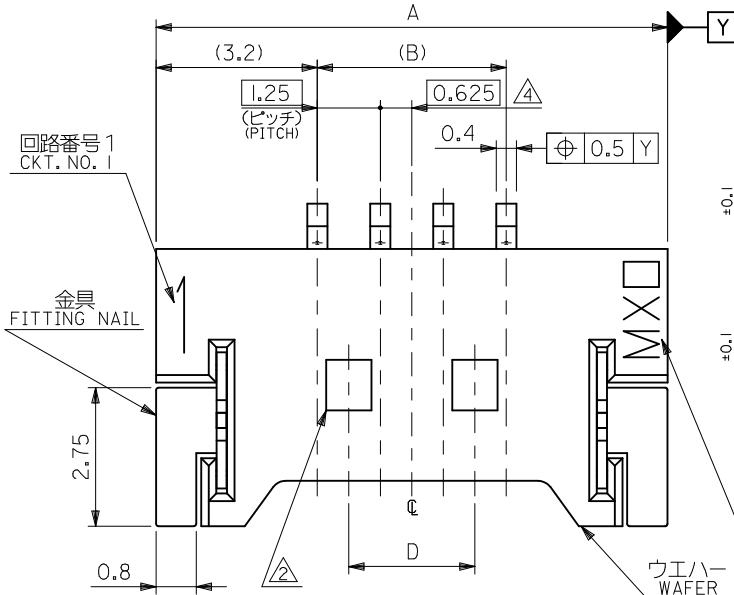


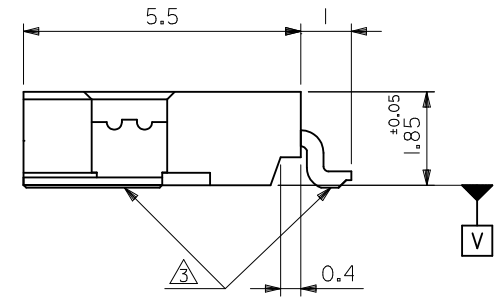
注記 NOTES

1. 嵌合相手：51146 シリーズ
MATES WITH : 51146 SERIES
2. ロック窓は2、3極品は1箇所、4極品以上は2箇所とする。
LOCKING WINDOW : ONE PLACE FOR 2 AND 3 CIRCUIT PRODUCTS
AND TWO PLACES FOR MORE THAN 3 CIRCUIT PRODUCTS.
3. 基準面 [V] からのソルダーテールと金具の半田付け面のズレ量は、
上方向に 0.05MAX.、下方向 0.15MAX. とし、20 極以下の相互の
バラツキ量は 0.1MAX. とする。
MISALIGNMENT OF SOLDER TAIL AND FITTING NAIL FROM [V]
: UPPER DIRECTION 0.05MAX.
: LOWER DIRECTION 0.15MAX.
: OFFSET BETWEEN UPPER AND LOWER 0.1MAX. (UNDER 20 CKTS.)
4. 偶数極の製品に適用。
APPLY EVEN CIRCUIT PRODUCTS.
5. 材質 MATERIAL
ウエハ：PPS, UL94V-0
ピン：リン青銅 PIN: PHOSPHOR BRONZE
コンタクト部：金メッキ 0.2 マイクロメートル以上
CONTACT AREA : GOLD 0.2 MICROMETER MINIMUM
テール部：錫メッキ 3.0 マイクロメートル以上
TAIL AREA : TIN 3.0 MICROMETER MINIMUM
下地メッキ：ニッケルメッキ 1.0 マイクロメートル以上
UNDER PLATING : NICKEL 1.0 MICROMETER MINIMUM
金具：リン青銅 FITTING NAIL : PHOSPHOR BRONZE
錫メッキ 3.0 マイクロメートル以上
TIN 3.0 MICROMETER MINIMUM
下地メッキ：ニッケルメッキ 1.0 マイクロメートル以上
UNDER PLATING : NICKEL 1.0 MICROMETER MINIMUM
6. 本製品は 53780-**-**10/-**-**18 の鉛フリー品である。
THIS PRODUCT IS LEAD FREE OF 53780-**-**10/-**-**18.
7. ELV 及び RoHS 適合品
ELV & RoHS COMPLIANT.

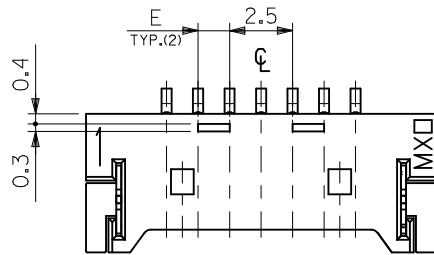


参考基板レイアウト
RECOMMENDED P.C.BOARD PATTERN DIM. (REF.)

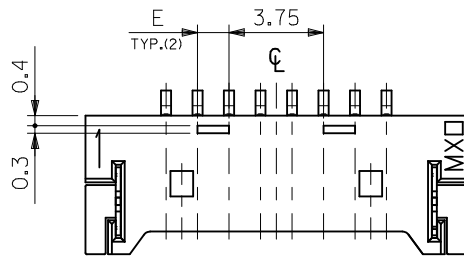
16.25	22.5	38.77	36.25	42.65	53780-3070	30
8.75	22.5	26.27	23.75	30.15	-2070	20
7.5	20	23.77	21.25	27.65	-1870	18
6.25	16.25	20.02	17.5	23.9	-1570	15
5	15	18.77	16.25	22.65	-1470	14
3.75	12.5	16.27	13.75	20.15	-1270	12
2.5	10	13.77	11.25	17.65	-1070	10
2.5	8.75	12.52	10	16.4	-0970	9
1.25	7.5	11.27	8.75	15.15	-0870	8
1.25	6.25	10.02	7.5	13.9	-0770	7
--	5	8.77	6.25	12.65	-0670	6
--	3.75	7.52	5	11.4	-0570	5
--	2.5	6.27	3.75	10.15	-0470	4
--	--	5.02	2.5	8.9	-0370	3
--	--	3.77	1.25	7.65	53780-0270	2
E	D	C	B	A	EMBOSSED PACKAGE	CKT.
CONNECTION SERIES NO. 53780-**-**19						極数
オーダー番号 ORDER No.						



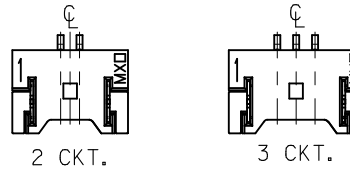
REVISED EC NO: J2010-1927 DRWN: KUROSE 2010/03/25 CHKD: KASAKAWA 2010/03/26 APPR: NUKITA 2010/03/29	GENERAL TOLERANCES (UNLESS SPECIFIED)		DIMENSION STYLE MM ONLY	SCALE ---	DESIGN UNITS METRIC	THIRD ANGLE PROJECTION
	10 UNDER	± 0.2	DRAWN BY T. UENO	DATE '04/04/15	TITLE 1.25 W/B CONN WAFER ASSY FOR SMT	
	10 OVER 30 UNDER	± 0.25	CHECKED BY M. SASAO	DATE '04/04/15	MOLEX INCORPORATED	
	30 OVER	± 0.3	APPROVED BY M. SASAO	DATE '04/04/15	MATERIAL NO. SEE CHART	DOCUMENT NO. SD-53780-003
	ANGULAR ± 3 °	THIS DRAWING CONTAINS INFORMATION THAT IS PROPRIETARY TO MOLEX INCORPORATED AND SHOULD NOT BE USED WITHOUT WRITTEN PERMISSION				
	DRAFT WHERE APPLICABLE MUST REMAIN WITHIN DIMENSIONS		SIZE A3			



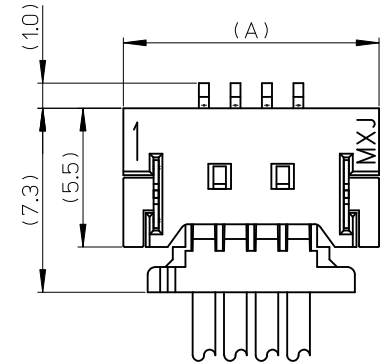
7~19極の奇数極に適用
 APPLY FOR ODD CIRCUITS OF 7~19



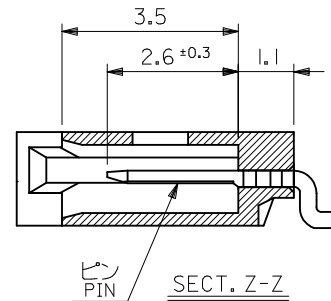
8~30 極の偶数極に適用
 APPLY FOR EVEN CIRCUITS OF 8~30



ロック形状図
 LOCK CONFIGURATION



嵌合図 (SCALE 5:1)
 MATED CONNECTORS (SCALE 5:1)

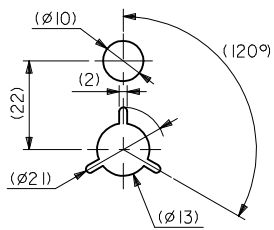


PIN SECT. Z-Z

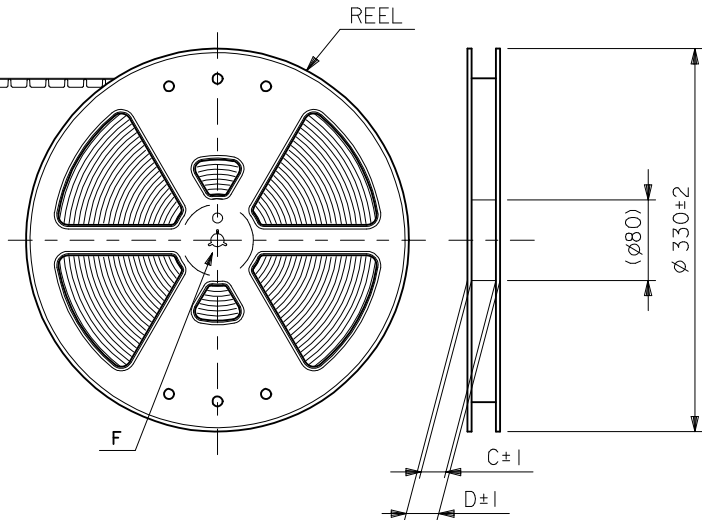
CONNECTOR SERIES NO. 53780-**19

REVISED EC NO.: J2010-1927 DRWN:SKUROSE 2010/03/25 CHKD:KASAKAWA 2010/03/26 APPR:NUKITA 2010/03/29	GENERAL TOLERANCES (UNLESS SPECIFIED)		DIMENSION STYLE MM ONLY		SCALE ---	DESIGN UNITS METRIC	THIRD ANGLE PROJECTION	
	10 UNDER	± 0.2	DRAWN BY T. UENO	DATE '04/04/15	TITLE 1.25 W/B CONN WAFER ASSY FOR SMT			
	10 OVER 30 UNDER	± 0.25	CHECKED BY M. SASAO	DATE '04/04/15				
	30 OVER	± 0.3	APPROVED BY M. SASAO	DATE '04/04/15	MOLEX INCORPORATED			
ANGULAR ± 3 °		MATERIAL NO. SEE CHART		DOCUMENT NO. SD-53780-003				
DRAFT WHERE APPLICABLE MUST REMAIN WITHIN DIMENSIONS		THIS DRAWING CONTAINS INFORMATION THAT IS PROPRIETARY TO MOLEX INCORPORATED AND SHOULD NOT BE USED WITHOUT WRITTEN PERMISSION						

引き出し方向
PULL OUT DIRECTION

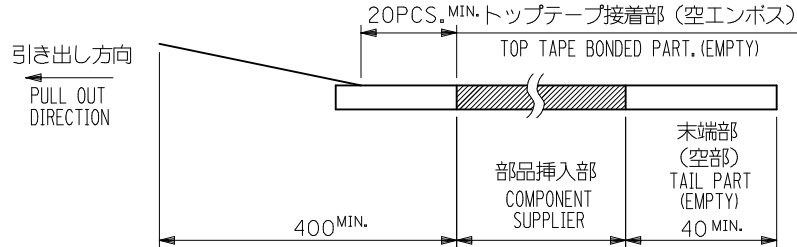


DETAIL F

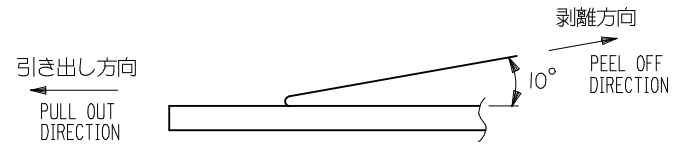


NOTES

- 梱包数量：1500個/リール
NUMBER OF CONNECTORS : 1500PCS/REEL
- リードテープ長さ LEAD TAPE LENGTH



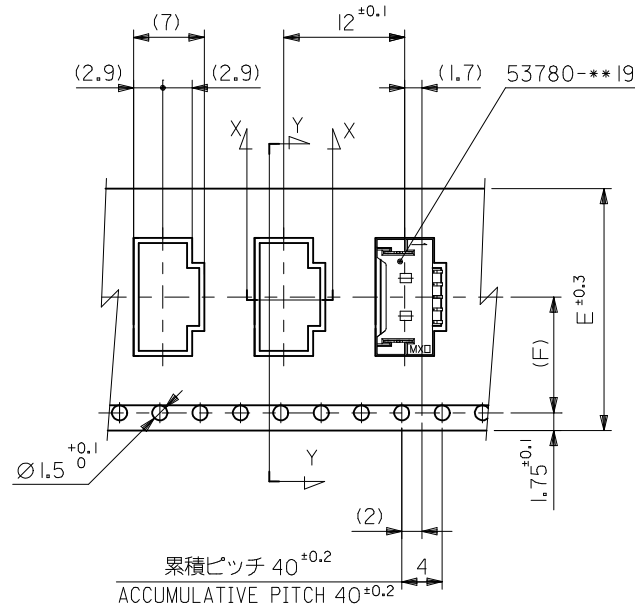
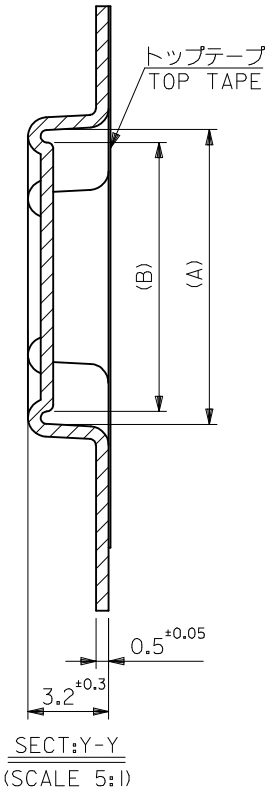
- トップテープの剥離強度：0.1N ~ 1.3N (10gf ~ 130gf)
(剥離方向は下図参照)
尚、本規格値は出荷時に適用。(但し、輸送時に剥離が発生しないこと。)
PEELING OFF FORCE OF TOP TAPE : 0.1N ~ 1.3N (10gf ~ 130gf)
(PEELING DIRECTION AS SHOWN IN FOLLOWING FIG.)
THIS REQUIREMENT SHOULD BE APPLIED AT SHIPMENT.
PEEL OFF SHOULD NOT BE ALLOWED, DURING TRANSPORTATION.



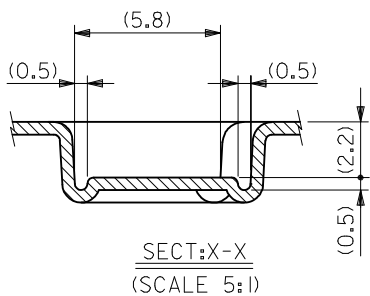
- 材料 (MATERIAL)
キャリアテープ (CARRIER TAPE) : ポリプロピレン (POLYPROPYLENE)
トップテープ (TOP TAPE) : PET, PE, PEF
リール (REEL) : ポリスチレン (PS) <リサイクル材を含む>
POLYSTYRENE (PS) <RECYCLE MATERIAL CONTAINED>
- 本製品は 53780-**-90/-**-80 の鉛フリー品である。
THIS PRODUCT IS LEAD FREE OF 53780-**-90/-**-80.
- ELV及びRoHS適合品
ELV & RoHS COMPLIANT

MODEL NO. 53780-**-70

REVISED EC NO: J2010-0021 DRWN: MTAKASAKI 2009/07/07 CHKD: HAYASHI 2009/07/08 APPR: NUKITA 2009/07/08	GENERAL TOLERANCES (UNLESS SPECIFIED)		DIMENSION STYLE MM ONLY	SCALE ---	DESIGN UNITS METRIC	THIRD ANGLE PROJECTION
	10 UNDER	±0.2	DRAWN BY T. UENO	DATE '04/04/15	TITLE 1.25 W/B WAFER ASSY EMBOSSED TAPE PACKAGE	
	10 OVER 30 UNDER	±0.25	CHECKED BY M. SASAO	DATE '04/04/15	MOLEX INCORPORATED	
	30 OVER	±0.3	APPROVED BY M. SASAO	DATE '04/04/15	DOCUMENT NO. SD-53780-004	SHEET NO. 1 OF 3
DESCRIPTION	ANGULAR ±3 °	DRAFT WHERE APPLICABLE MUST REMAIN WITHIN DIMENSIONS	MATERIAL NO. SEE CHART	THIS DRAWING CONTAINS INFORMATION THAT IS PROPRIETARY TO MOLEX INCORPORATED AND SHOULD NOT BE USED WITHOUT WRITTEN PERMISSION		

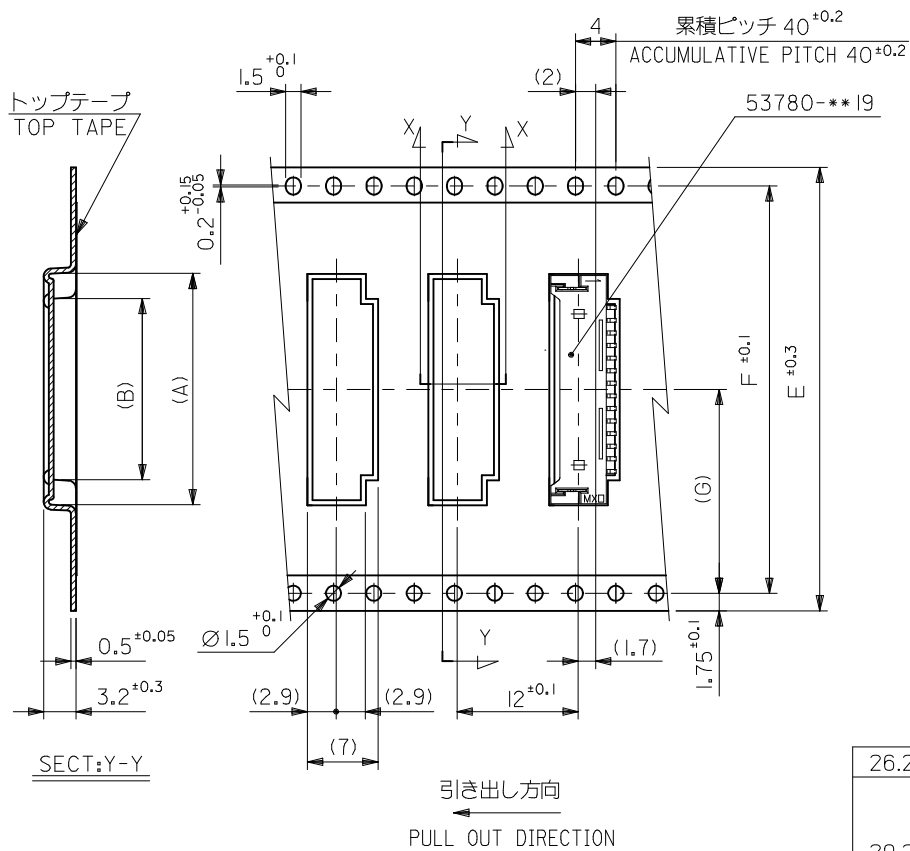


引き出し方向
PULL OUT DIRECTION



11.5	24	29.4	25.4	11.75	16.7	53780-0970	9
				10.5	15.45	53780-0870	8
				9.25	14.2	53780-0770	7
				8	12.95	53780-0670	6
				6.75	11.7	53780-0570	5
7.5	16	21.4	17.4	4.25	9.2	53780-0370	3
				3	7.95	53780-0270	2
(F)	E キャリアテープ幅 CARRIER TAPE WIDTH	D	C	(B)	(A)	MATERIAL NO.	種数 CKT.
						MODEL NO.	53780-***70

REVISED EC NO: J2010-0021 DRWN: TAKASAKI 2009/07/07 CHKD: HAYASHI 2009/07/08 APPR: NUKITA 2009/07/08	DESCRIPTION	GENERAL TOLERANCES (UNLESS SPECIFIED)		DIMENSION STYLE MM ONLY		SCALE ---	DESIGN UNITS METRIC		THIRD ANGLE PROJECTION	
		10 UNDER	±0.2	DRAWN BY T. UENO	DATE '04/04/15	TITLE 1.25 W/B WAFER ASSY EMBOSSED TAPE PACKAGE				
		10 OVER 30 UNDER	±0.25	CHECKED BY M. SASAO	DATE '04/04/15	MOLEX INCORPORATED				
		30 OVER	±0.3	APPROVED BY M. SASAO	DATE '04/04/15	DOCUMENT NO. SD-53780-004				
		ANGULAR	±3 °	MATERIAL NO. SEE CHART		SHEET NO. 2 OF 3				
DRAFT WHERE APPLICABLE MUST REMAIN WITHIN DIMENSIONS		THIS DRAWING CONTAINS INFORMATION THAT IS PROPRIETARY TO MOLEX INCORPORATED AND SHOULD NOT BE USED WITHOUT WRITTEN PERMISSION								



26.2	52.4	56	61.4	57.4	38	42.95	53780-3070	30
20.2	40.4	44	49.4	45.4	25.5	30.45	53780-2070	20
					25.5	27.95	53780-1870	18
					19.25	24.2	53780-1570	15
					18	22.95	53780-1470	14
14.2	28.4	32	37.4	33.4	15.5	20.45	53780-1270	12
					13	17.95	53780-1070	10
(G)	F	E キャリアテープ幅 CARRIER TAPE WIDTH	D	C	(B)	(A)	MATERIAL NO.	極数 CKT.

引き出し方向
PULL OUT DIRECTION

REVISED EC NO: J2010-0021 DRWN:MTAKASAKI 2009/07/07 CHKD:MHAYASHI 2009/07/08 APPR:NUKITA 2009/07/08	GENERAL TOLERANCES (UNLESS SPECIFIED)		DIMENSION STYLE MM ONLY		SCALE ---		MODEL NO. 53780-***70	
	10 UNDER ±0.2		DRAWN BY T.UENO DATE '04/04/15		THIRD ANGLE PROJECTION		1.25 W/B WAFER ASSY EMBOSSED TAPE PACKAGE	
	10 OVER 30 UNDER ±0.25		CHECKED BY M.SASAO DATE '04/04/15		MOLEX INCORPORATED			
	30 OVER ±0.3		APPROVED BY M.SASAO DATE '04/04/15		DOCUMENT NO. SD-53780-004		SHEET NO. 3 OF 3	
	ANGULAR ±3 °		MATERIAL NO. SEE CHART		THIS DRAWING CONTAINS INFORMATION THAT IS PROPRIETARY TO MOLEX INCORPORATED AND SHOULD NOT BE USED WITHOUT WRITTEN PERMISSION			
DRAFT WHERE APPLICABLE MUST REMAIN WITHIN DIMENSIONS		SIZE A3						