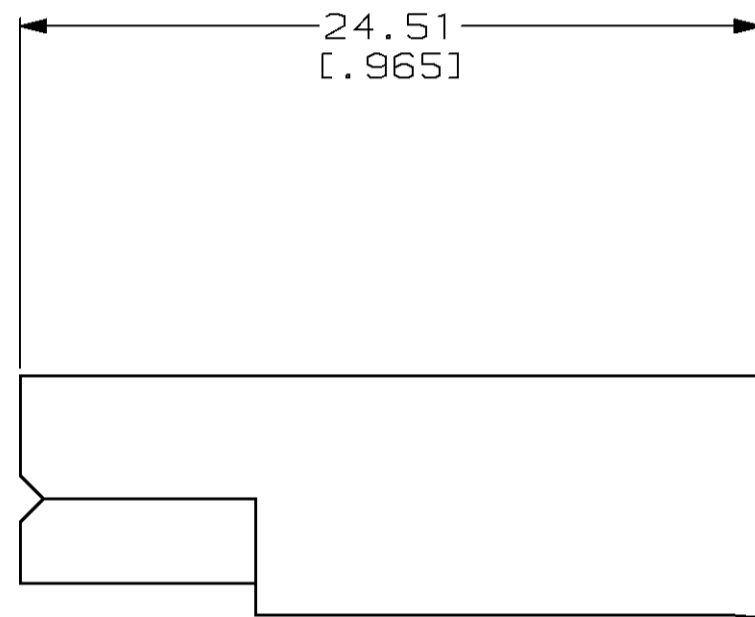
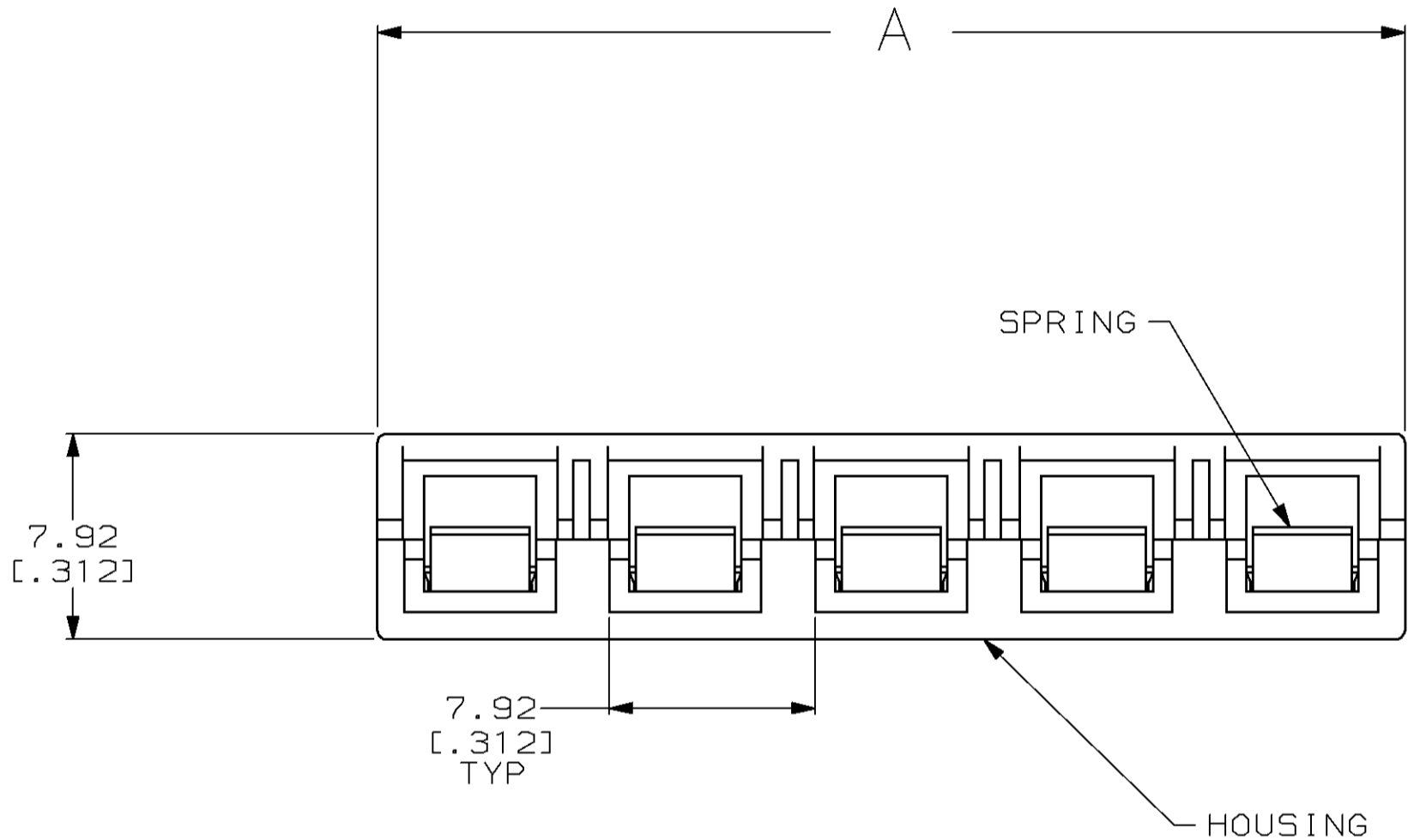


THIS DRAWING IS UNPUBLISHED. RELEASED FOR PUBLICATION, 19
 © COPYRIGHT 19 BY AMP INCORPORATED. ALL RIGHTS RESERVED.

| LOC | DIST | REVISIONS | | | |
|-----|------|-------------|---------------------------------|-----------|------|
| P | LTR | DESCRIPTION | DATE | DWN | APVD |
| FT | 60 | E | REDRAWN & REV PER EC 0320-74-97 | 25 MAR 97 | - |



- HOUSING MATES WITH ITSELF 54483, 54489 OR GROUPS OF 53894.
 - ACCEPTS ANY SERIES 1 POWER LOCK CONTACTS.
- ③ HOUSING: NYLON, NATURAL.
 SPRING: STAINLESS STEEL.

| | | |
|------------------|------------|-------------|
| 47.55 [1.872] | 6 | 54483-6 |
| 39.62 [1.560] | 5 | 54483-5 |
| 31.70 [1.248] | 4 | 54483-4 |
| 23.77 [.936] | 3 | 54483-3 |
| 15.85 [.624] | 2 | 54483-2 |
| A | NO OF POSN | PART NUMBER |

THIS DRAWING IS A CONTROLLED DOCUMENT.

| | |
|----------------------------------|---|
| DWN M. BINNER 10 APR 97 | AMP Incorporated Harrisburg, PA 17105-3608 |
| CHK R. STONE 24 APR 97 | |
| APVD M. MCALONIS 22 MAY 97 | |
| DIMENSIONS: mm [INCHES] | TOLERANCES UNLESS OTHERWISE SPECIFIED: 0 PLC ±- 1 PLC ±- 2 PLC ±0.25 [.010] 3 PLC ±- 4 PLC ±- ANGLES ±- FINISH - |
| | PRODUCT SPEC 108-11026 APPLICATION SPEC 114-6032 |
| MATERIAL ③ | NAME HOUSING & SPRING ASSY, W/O MTG LUGS, SERIES 1, POWER LOCK |
| | SIZE A2 |
| | CAGE CODE 00779 |
| | DRAWING NO C-54483 |
| | RESTRICTED TO - |
| | CUSTOMER DRAWING |
| | SCALE 4:1 SHEET 1 OF 1 REV E |