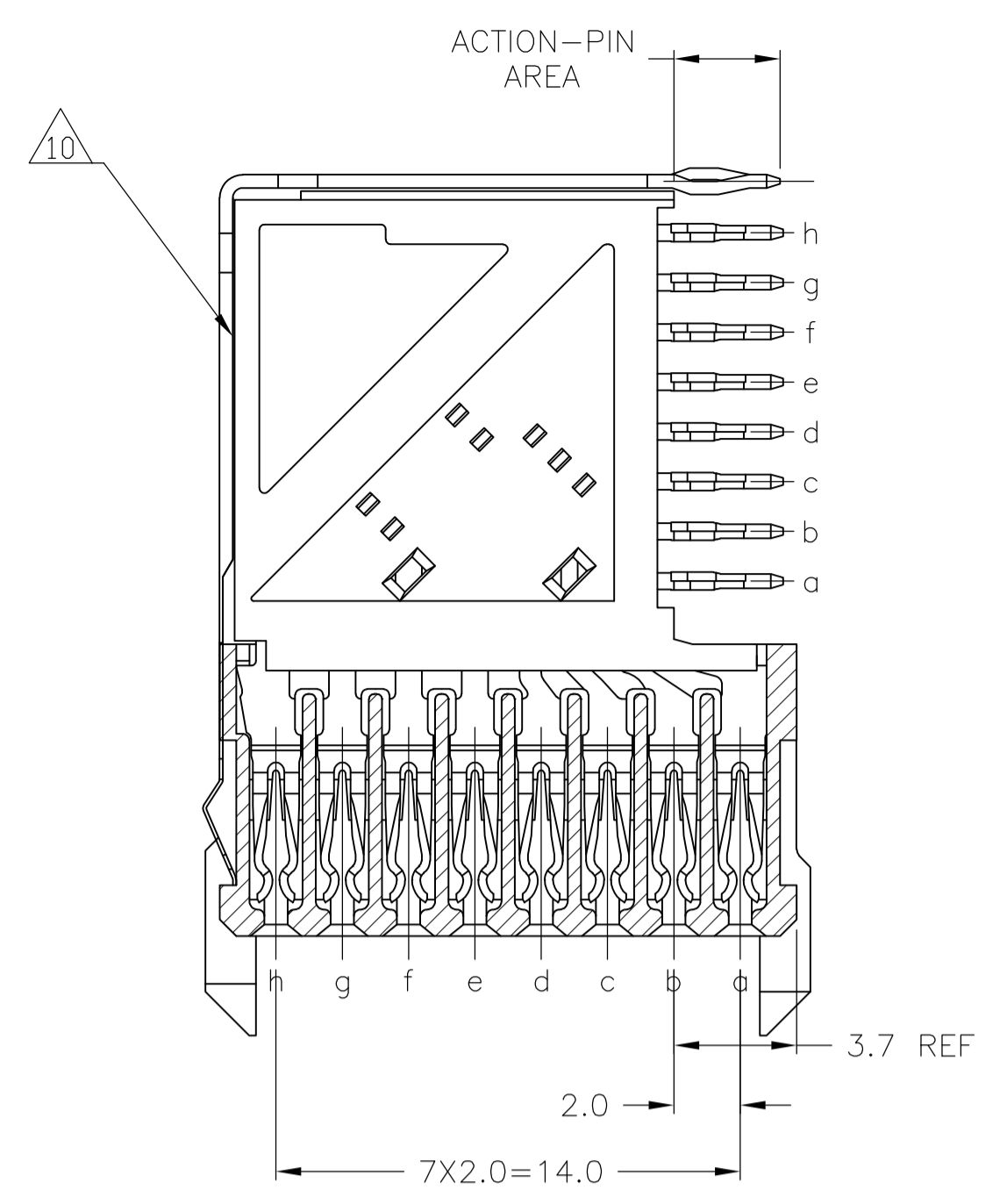
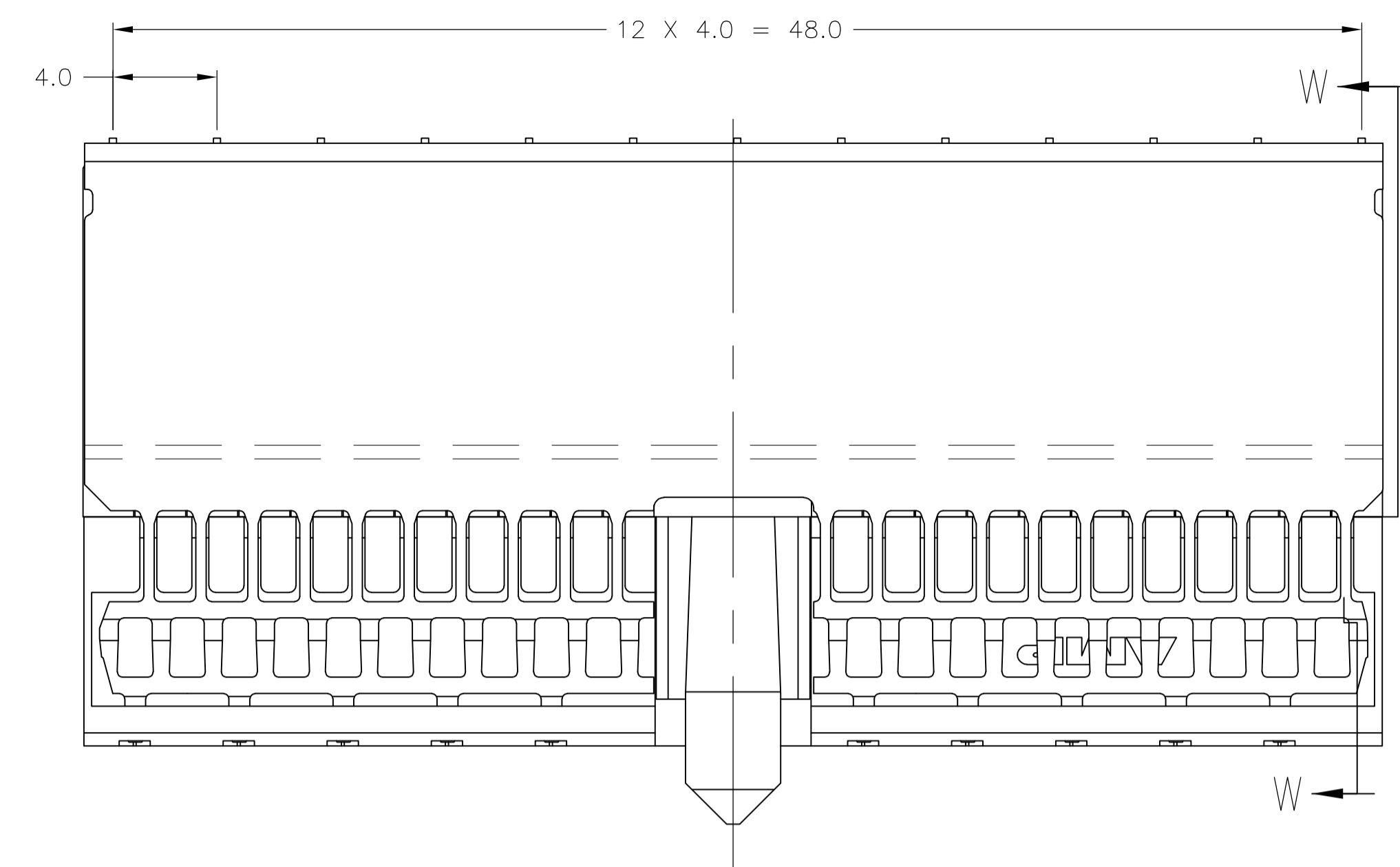
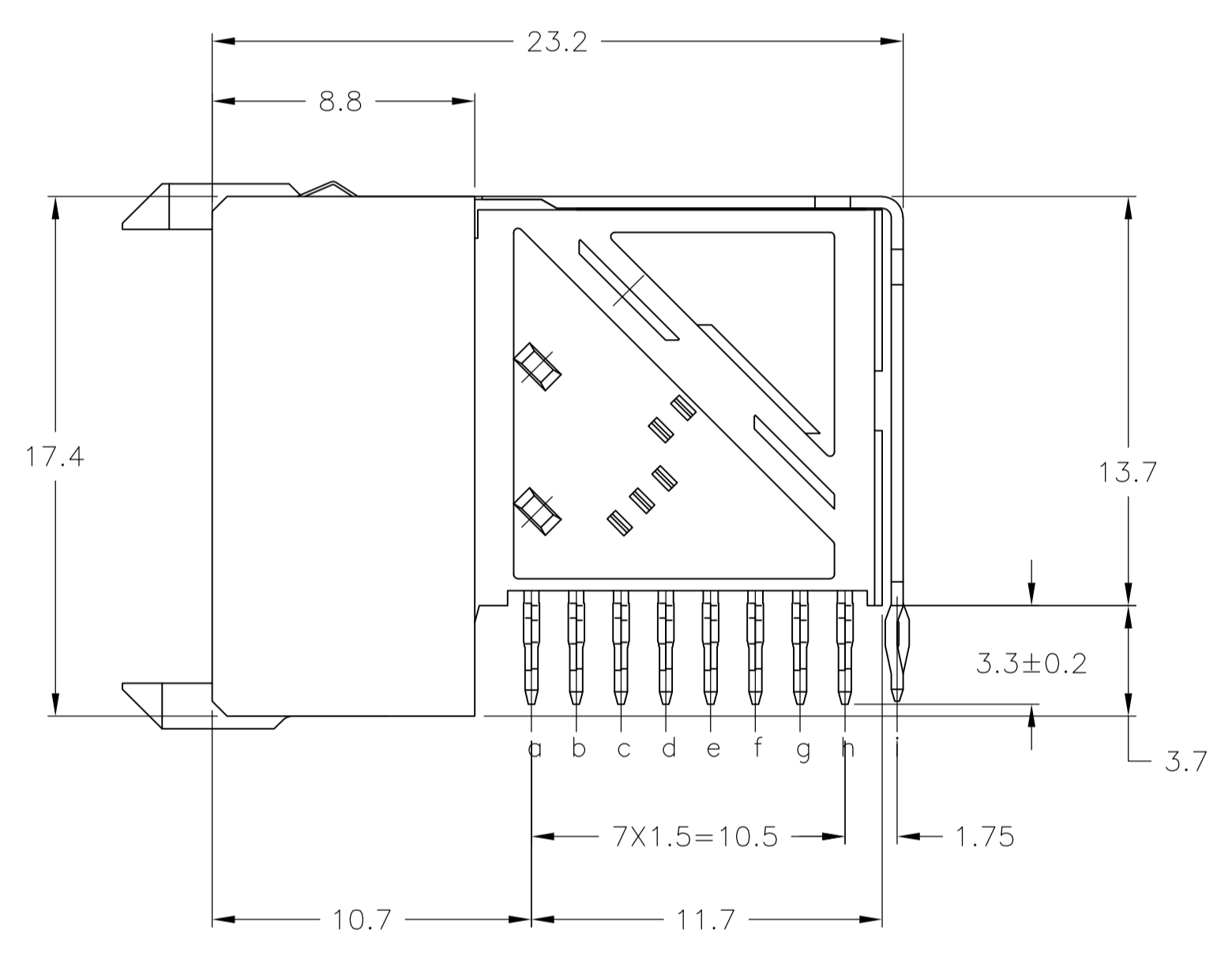
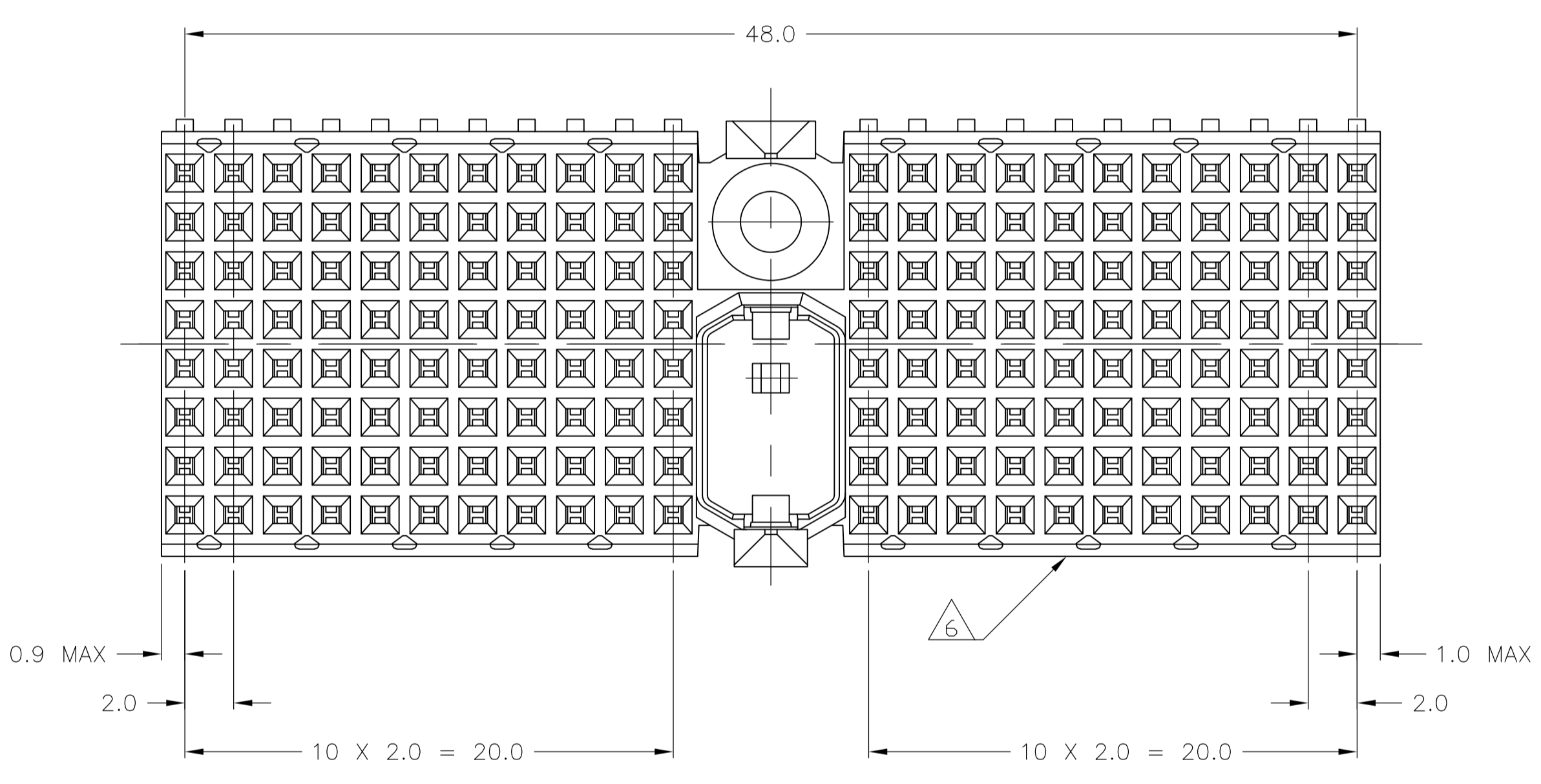


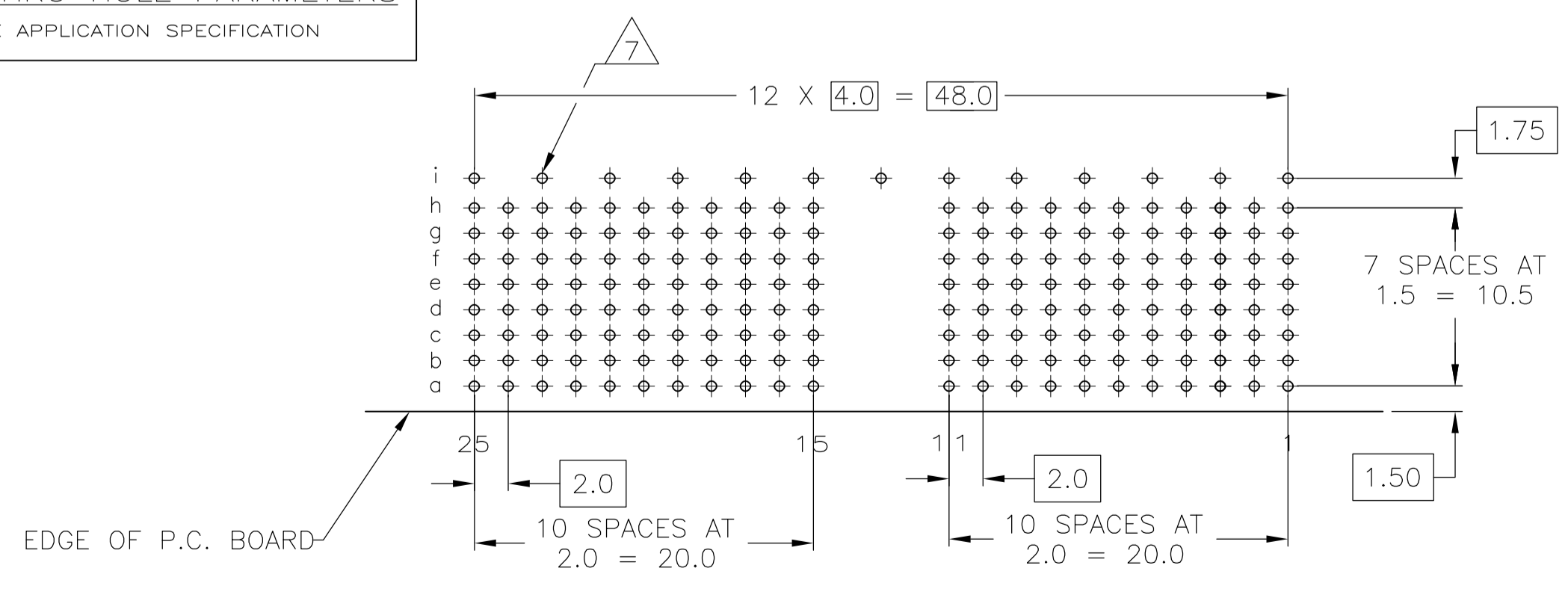
LOC		DIST		REVISIONS			
P	LTR	DESCRIPTION	DATE	DN	APVD		
A2		REVISED PER ECO-08-015435	08JUL08	DH	JE		
A3		REVISED PER ECO-10-000444	02NOV09	KK	AEG		
B		ECR-10-018652	10SEP10	JS	MQW		



SECTION W-W



PLATED THRU HOLE PARAMETERS  
 REFERENCE APPLICATION SPECIFICATION



RECOMMENDED PCB-HOLE LAYOUT  
 COMPONENT SIDE SHOWN  
 SCALE 3:1

- 1 MATERIAL:  
CONTACT: PHOSPHOR BRONZE.  
HOUSING: GLASS-FILLED POLYESTER.
- 2 GENERAL PLATING SPECIFICATION: UNDERPLATING  
(ENTIRE CONTACT): 1.27µm MIN NICKEL AND ACTION  
PIN: 0.5µm MIN TIN.  
FOR PLATING OF MATING SURFACES SEE APPLICABLE  
SPECIFICATION REFERENCE FOR EACH DASH NUMBER.
- 3 CONFORMS TO ALL TESTING ACCORDING TO IEC 61076-4-101  
PERFORMANCE LEVEL 2.
- 4 CONNECTOR TESTED AND QUALIFIED AGAINST TELCORDIA GR-1217-CORE QUALITY LEVEL 3,  
CENTRAL OFFICE APPLICATIONS.
- 5 CONNECTOR TESTED AND QUALIFIED AGAINST TELCORDIA GR-1217-CORE QUALITY LEVEL 3,  
UNCONTROLLED ENVIROMENT APPLICATIONS.
- 6 CONNECTOR MARKED WITH PART NUMBER AND DATE CODE.  
ADDITIONAL CHARACTERS OR MARKINGS, AS WELL AS THE LOCATION OF THE MARKINGS,  
MAY BE ADDED FOR TRACEABILITY BASED UPON MANUFACTURERS DISCRETION.
- 7 PLATED-THROUGH HOLES AT 2x1.5mm GRID  
176 TOTAL HOLES.
- 8 ROW "i" 13 PLATED THROUGH HOLES FOR UPPERSHIELD.
- 9 CONNECTOR & SHIELD LUBRICATED WITH BELCORE APPROVED LUBRICANT,  
TECHNICAL REFERENCE: TR-NWT-001217 ISSUE 1, SEP 1992.
- 10 SHIELD MOUNTED TO CONNECTOR WITH DOUBLE SIDED ADHESIVE TAPE  
OR ADHESIVE.
- 11 OBSOLETE PARTS: OBSOLETE CIS STREAMLINING PER D.RENAUD/D.SINISI

OBSOLETE	2 5 9	-1-5646486-9-
	2 4 9	-5646486-9-
	2 3	5646486-1
FINISH		PART NUMBER

THIS DRAWING IS A CONTROLLED DOCUMENT.

DIMENSIONS:	TOLERANCES UNLESS OTHERWISE SPECIFIED:	DIN B CARBO 28JUL05	Tyco Electronics Corporation
mm	0-PLC ±	28JUL05	Harrisburg, PA 17105-3608
	1-PLC ±0.1	APVD G SKIPPER	
	2-PLC ±0.2	PRODUCT SPEC	
	3-PLC ±	108-1622	
	4-PLC ±	APPLICATION SPEC	
	ANGLES ±	114-19029	
MATERIAL	FINISH	WEIGHT	SIZE
1	SEE TABLE	—	A1
		CUSTOMER DRAWING	SCALE 5:1 SHEET 1 OF 1 REV B