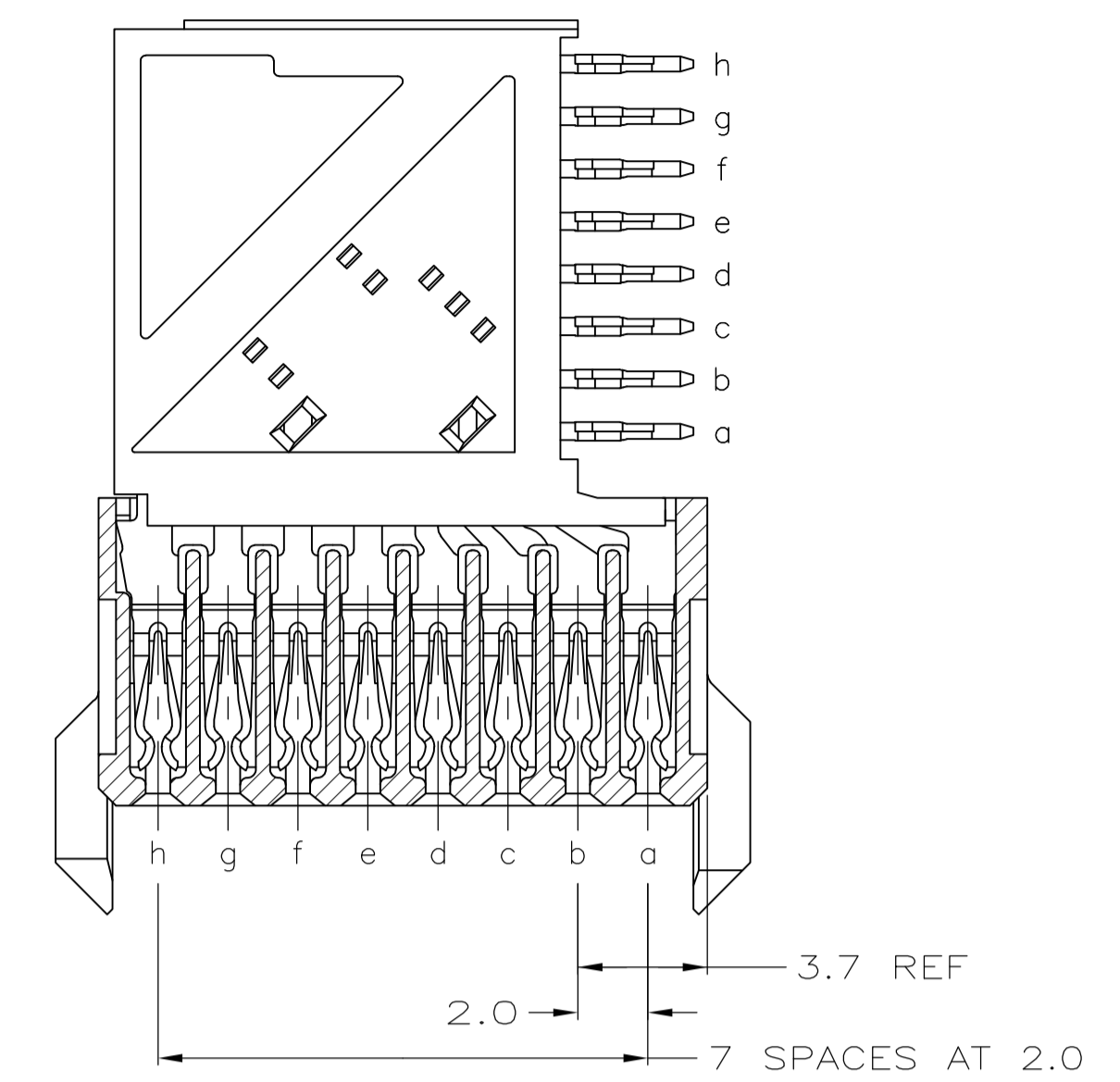
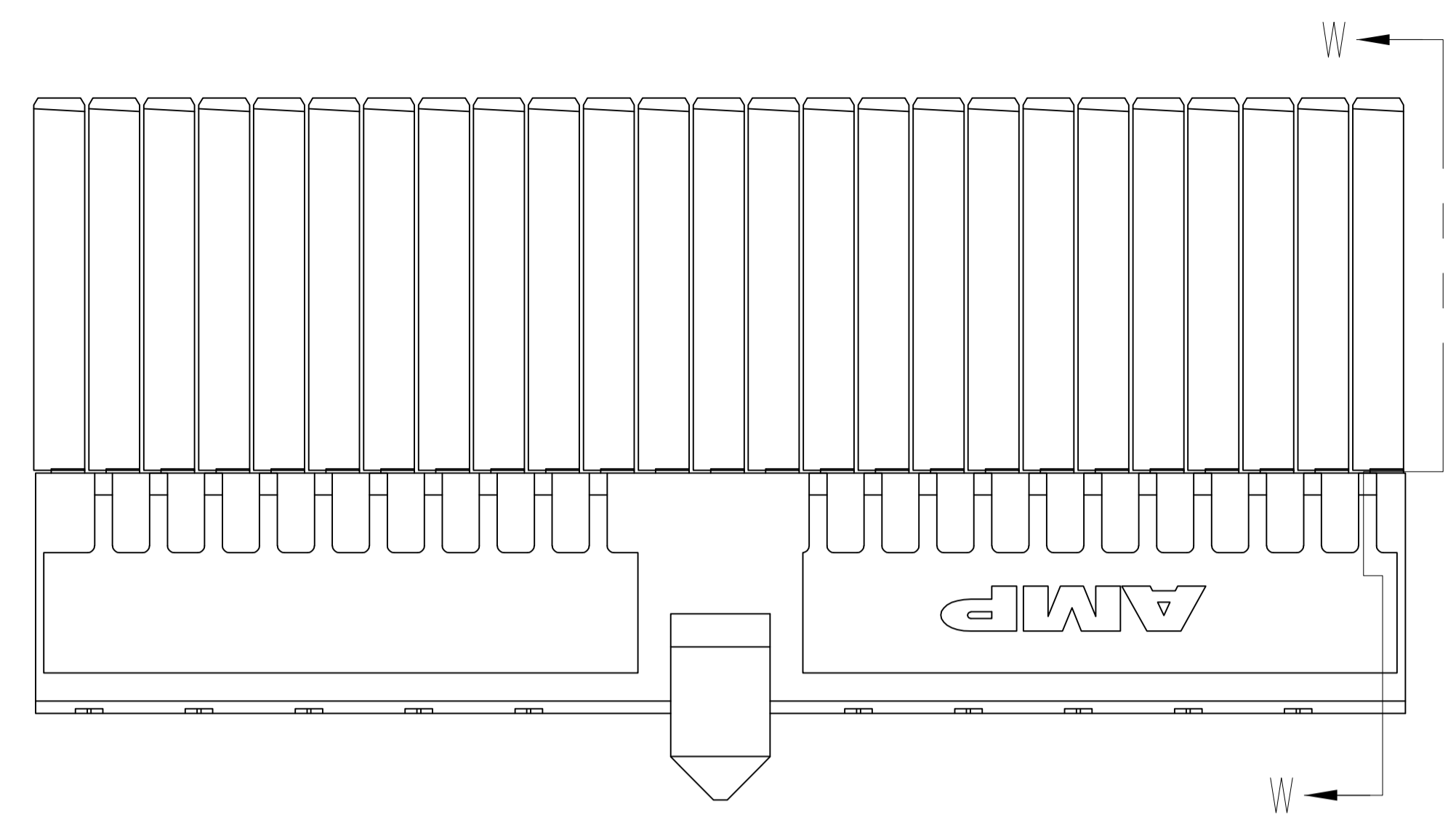
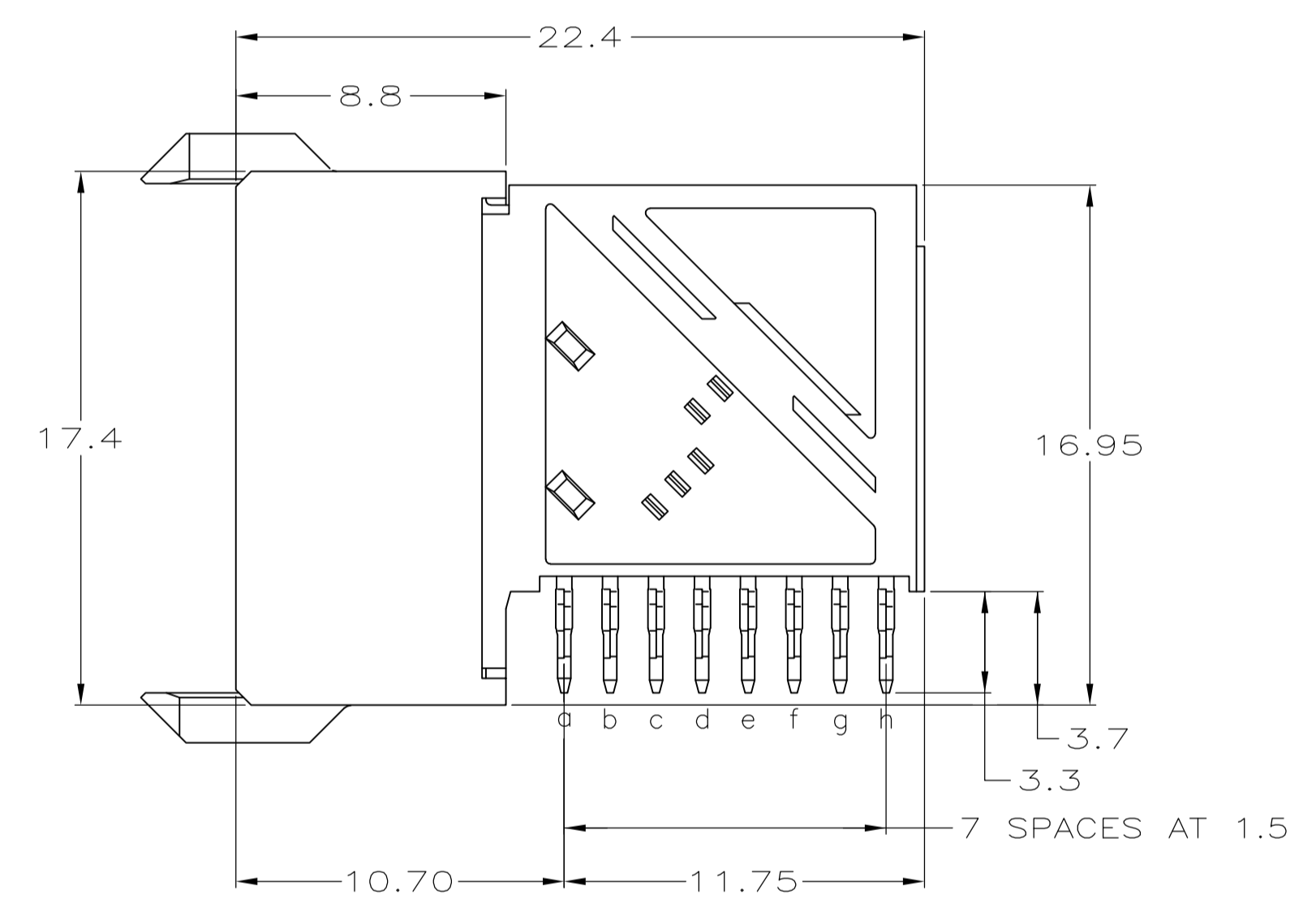
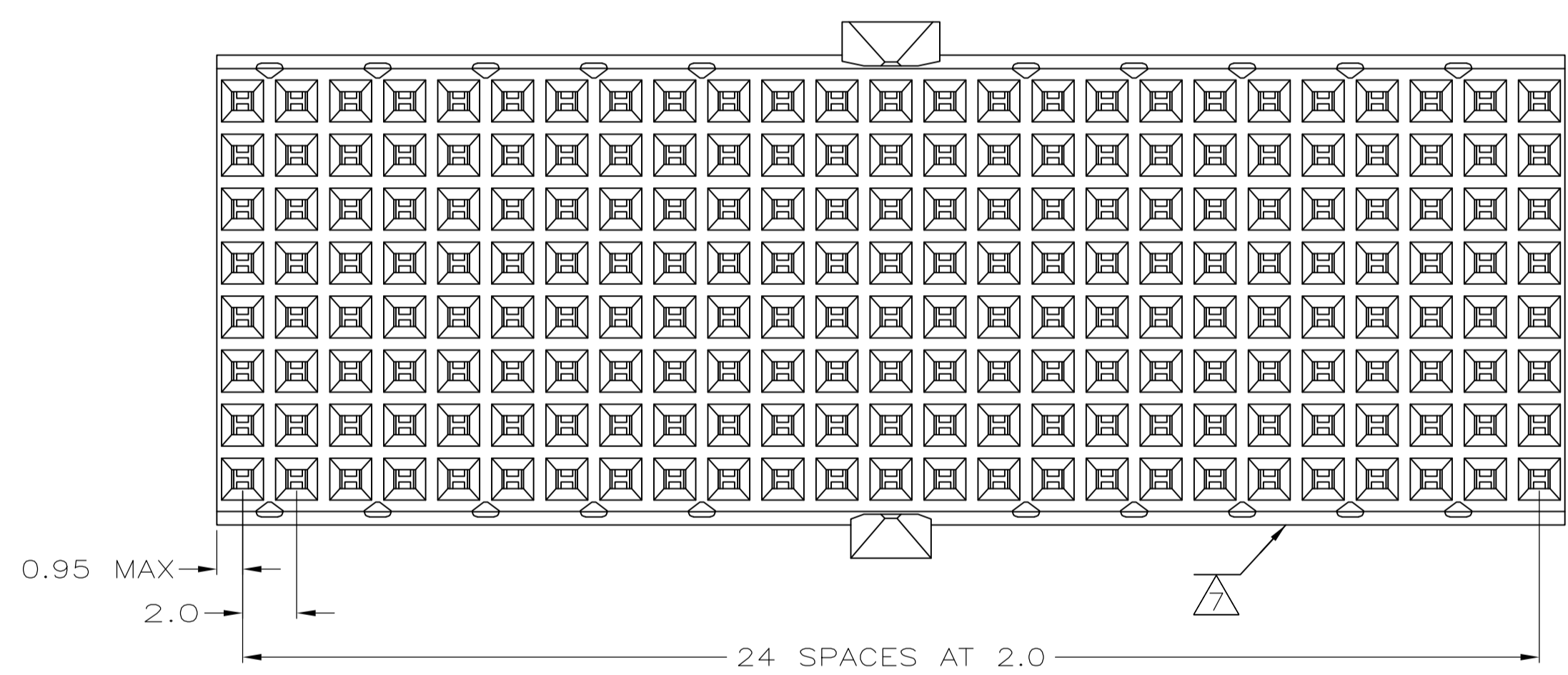


LOC		DIST		REVISIONS			
P	LTR	DESCRIPTION	DATE	DNW	APVD		
A		REV PER EC 0512-0302-05	15DEC05	BC	GS		
A1		REVISED PER ECO-09-024927	10NOV09	KK	AEG		
B		ECR-10-018652	10SEP10	JS	MQW		



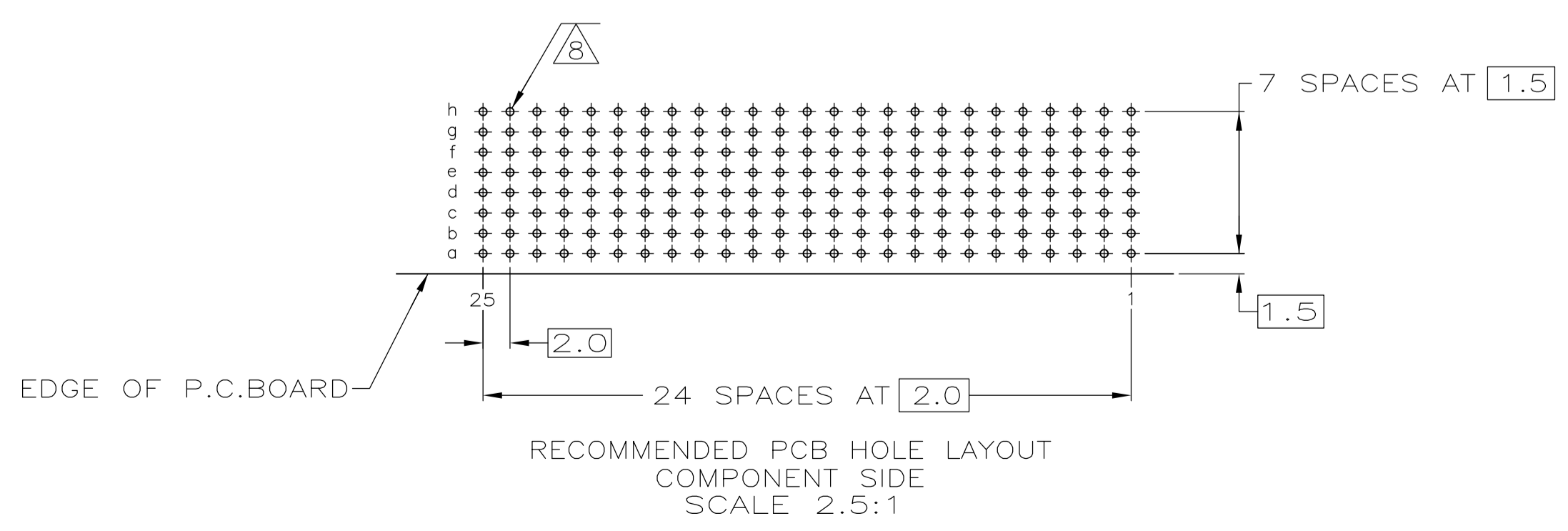
SECTION W-W



- 1 MATERIAL:  
CONTACT: PHOSPHOR BRONZE.  
HOUSING: GLASS-FILLED POLYESTER.
- 2 GENERAL PLATING SPECIFICATION: UNDERPLATING  
(ENTIRE CONTACT): 1.27µm MIN NICKEL AND ACTION  
PIN: 0.5µm MIN TIN.  
FOR PLATING OF MATING SURFACES SEE APPLICABLE  
SPECIFICATION REFERENCE FOR EACH DASH NUMBER.
- 3 CONFORMS TO ALL TESTING ACCORDING TO IEC 61076-4-101  
PERFORMANCE LEVEL 2.
- 4 CONFORMS TO ALL TESTING ACCORDING TO IEC 61076-4-101  
PERFORMANCE LEVEL 1.
- 5 CONNECTOR TESTED AND QUALIFIED AGAINST TELCORDIA GR-1217-CORE QUALITY LEVEL 3,  
CENTRAL OFFICE APPLICATIONS.
- 6 CONNECTOR TESTED AND QUALIFIED AGAINST TELCORDIA GR-1217-CORE QUALITY LEVEL 3,  
UNCONTROLLED ENVIRONMENT APPLICATIONS.
- 7 CONNECTOR MARKED WITH PART NUMBER AND DATE CODE.  
ADDITIONAL CHARACTERS OR MARKINGS, AS WELL AS THE LOCATION OF THE MARKINGS,  
MAY BE ADDED FOR TRACEABILITY BASED UPON MANUFACTURERS DISCRETION.
- 8 PLATED-THROUGH HOLES AT 2 x 1.5mm GRID. 200 TOTAL HOLES
- 9 CONNECTOR LUBRICATED WITH BELCORE APPROVED LUBRICANT,  
TECHNICAL REFERENCE: TR-NWT-001217 ISSUE 1, SEP 1992.
- 10 OBSOLETE PARTS: OBSOLETE CIS STREAMLINING PER D.RENAUD/D.SINISI

PLATED THRU HOLES PARAMETERS  
 REFERENCE APPLICATION SPECIFICATION

FINISH	PART NUMBER
2 6 9	1-5646728-9
2 5 9	5646728-9
2 4	5646728-4
2 3	5646728-1



THIS DRAWING IS A CONTROLLED DOCUMENT.

DIMENSIONS:	TOLERANCES UNLESS OTHERWISE SPECIFIED:	DIN B CARBO 04AUG05	G.SKIPPER 04AUG05	Tyco Electronics Corporation Harrisburg, PA 17105-3608
0-PLC ±	1-PLC ±0.1	APVD G.SKIPPER 04AUG05	NAME	RECEPTACLE ASSEMBLY, Z-PACK 2mm HM, TYPE D/E
2-PLC ±0.05 ±0.2	3-PLC ±	PRODUCT SPEC	SIZE	108-1622
4-PLC ±	ANGLES ±	APPLICATION SPEC	WEIGHT	114-19029
MATERIAL 1	FINISH SEE TABLE	RESTRICTED TO	CUSTOMER DRAWING	SCALE 5:1 SHEET 1 OF 1 REV B