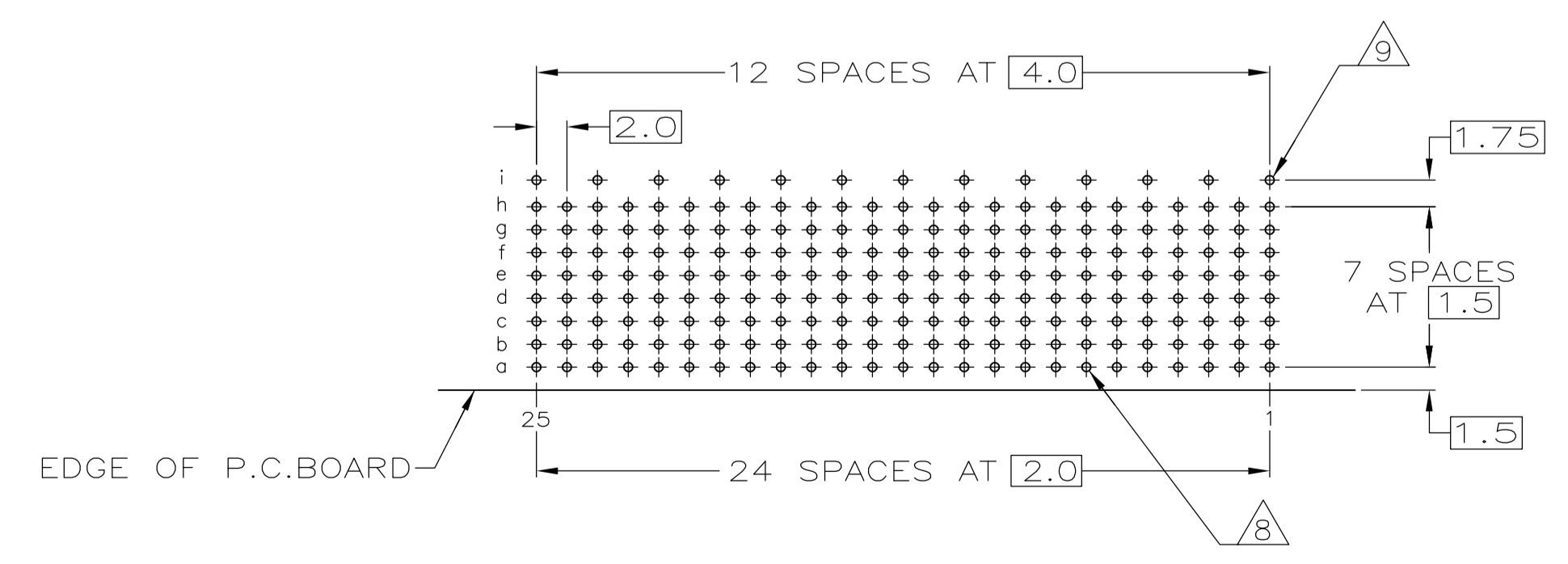
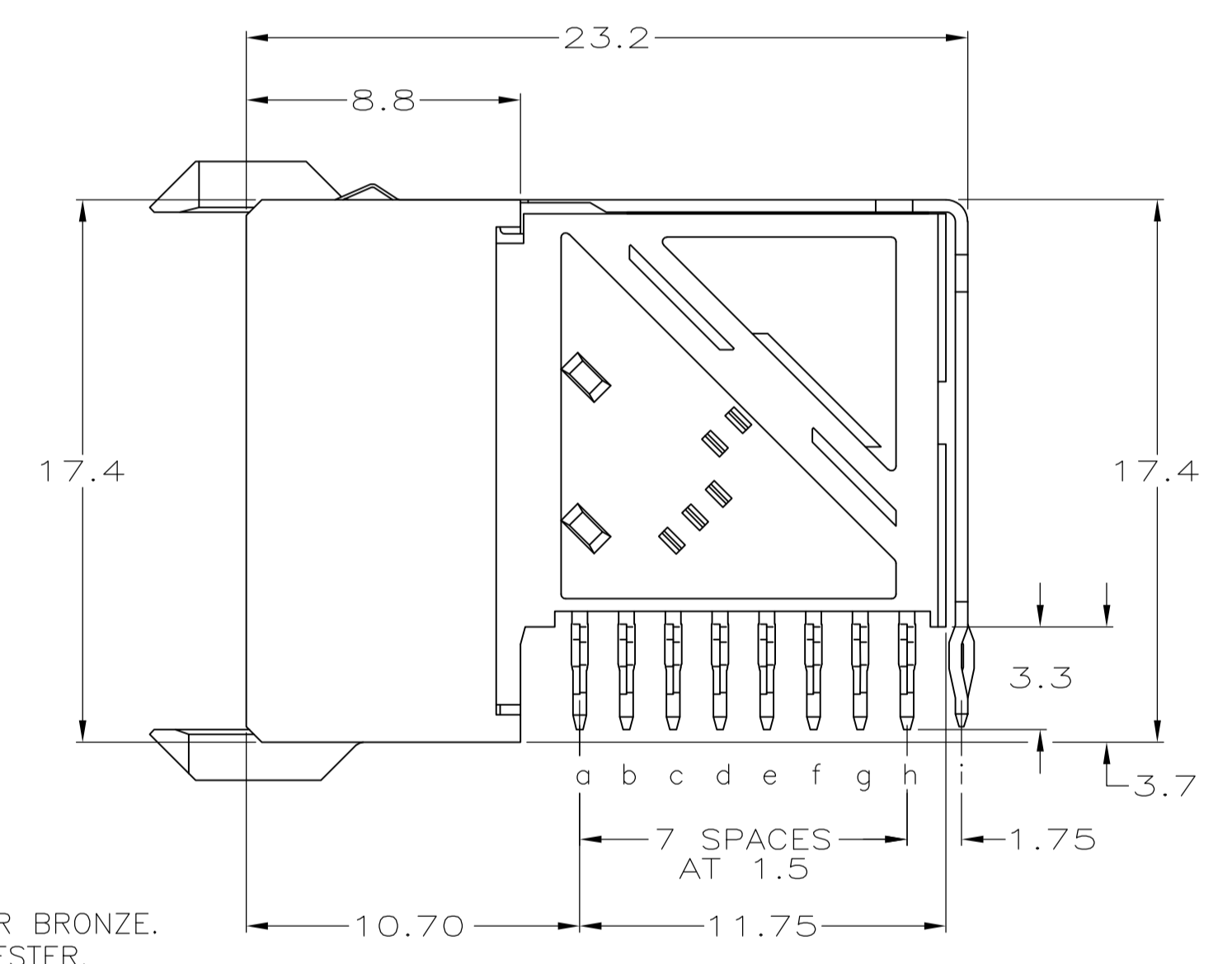
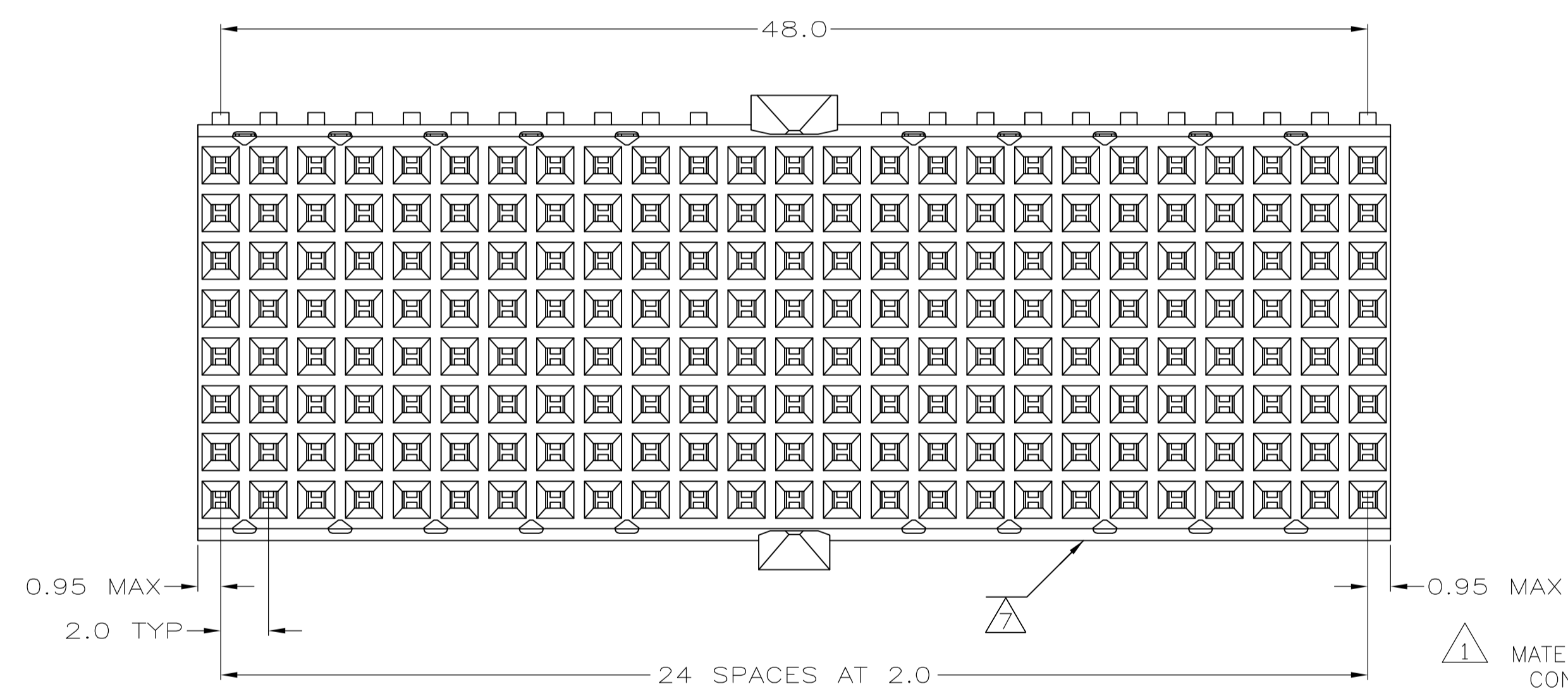
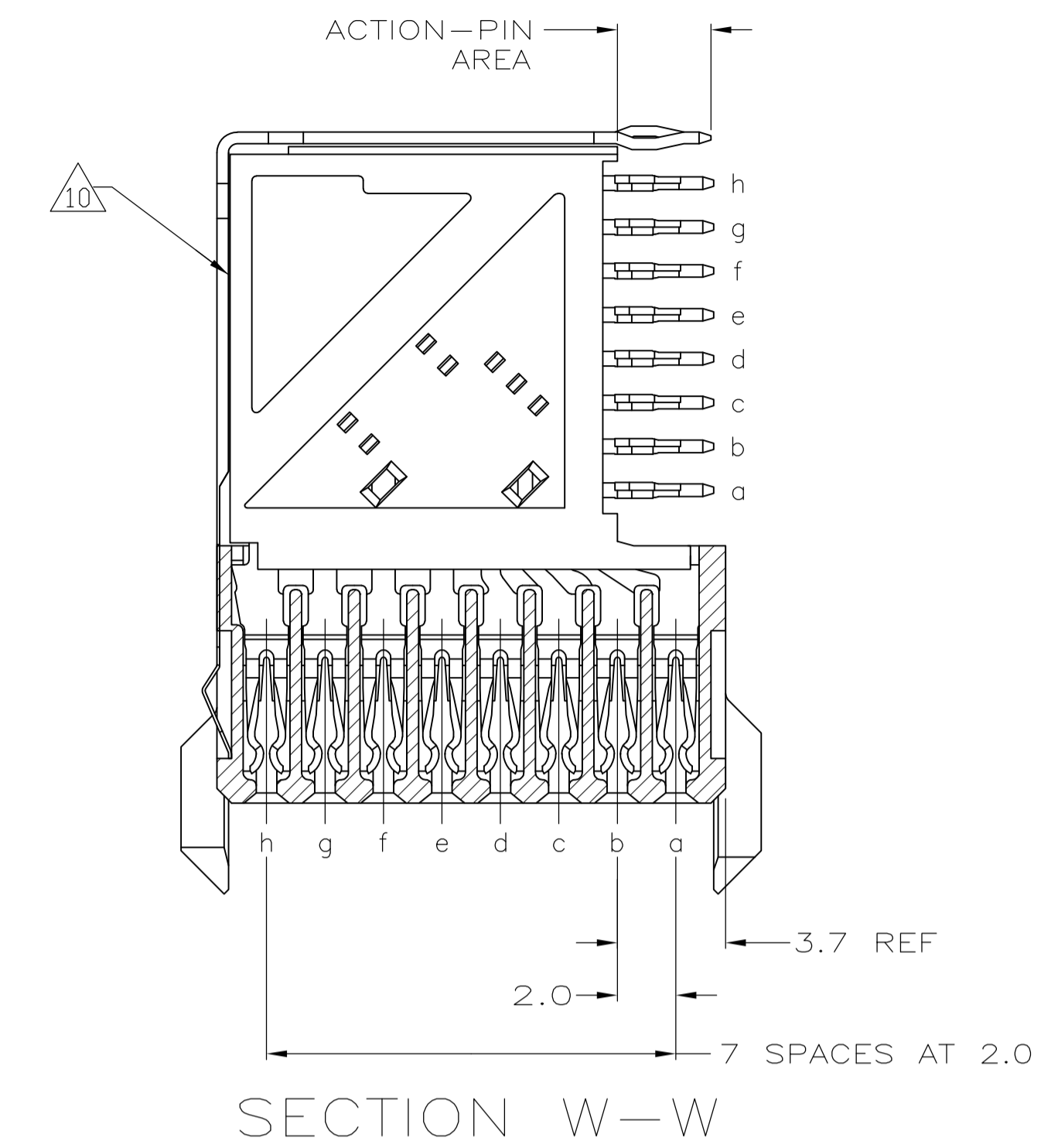
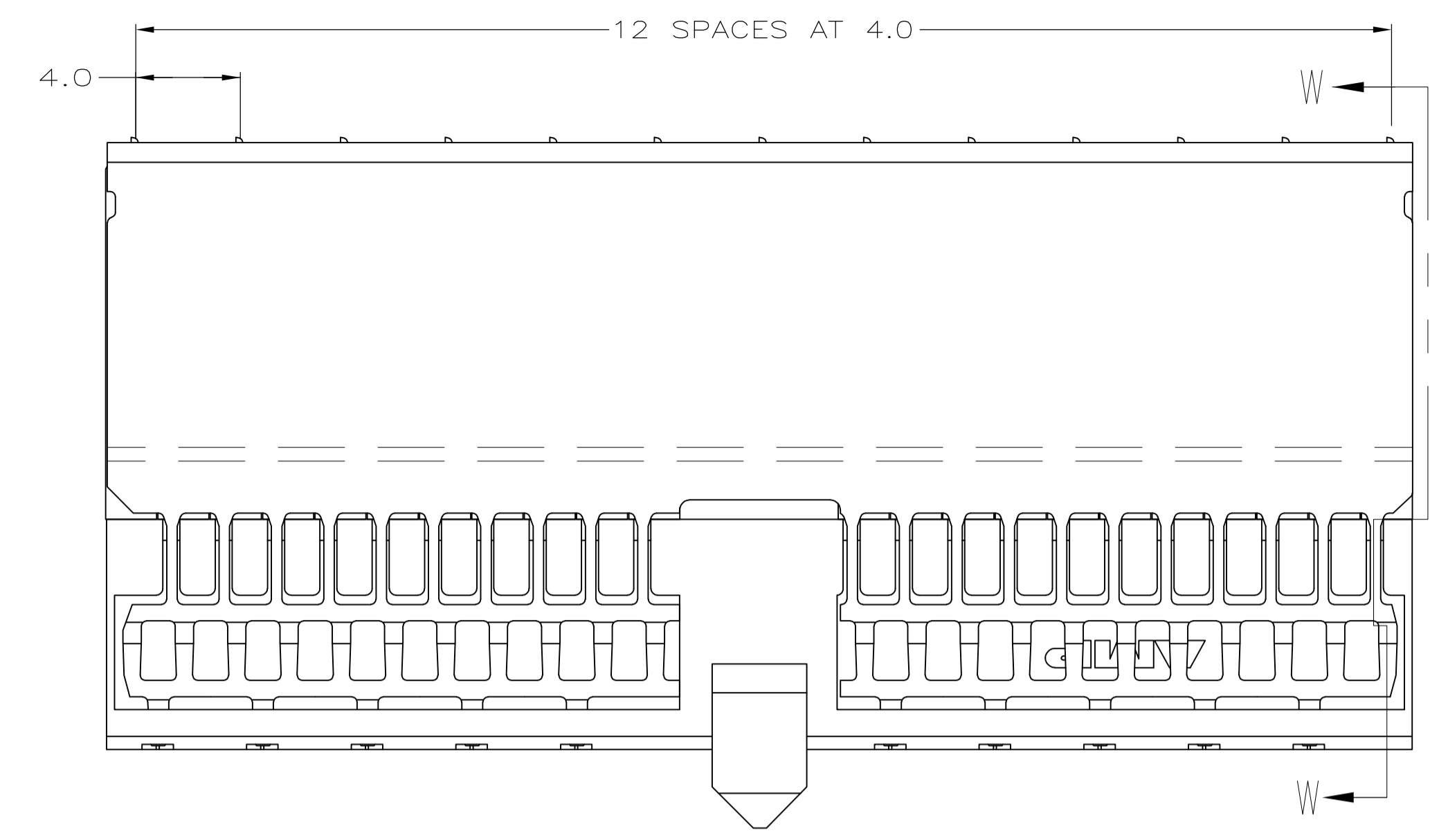


LOC		DIST		REVISIONS			
P	LTR	DESCRIPTION	DATE	DNW	APVD		
A1		REVISED PER ECO-07-011826	21JUN07	DH	JE		
A2		REVISED PER ECO-10-000444	19JAN10	KK	HMR		
B		ECR-10-018652	10SEP10	JS	MQW		



RECOMMENDED PCB HOLE LAYOUT
 COMPONENT SIDE
 SCALE 2.5:1

- 1 MATERIAL:
CONTACT & SHIELD: PHOSPHOR BRONZE.
HOUSING: GLASS-FILLED POLYESTER.
- 2 GENERAL PLATING SPECIFICATION: UNDERPLATING
(ENTIRE CONTACT): 1.27µm MIN NICKEL AND ACTION
PIN: 0.5µm MIN TIN.
FOR PLATING OF MATING SURFACES SEE APPLICABLE
SPECIFICATION REFERENCE FOR EACH DASH NUMBER.
- 3 CONFORMS TO ALL TESTING ACCORDING TO IEC 61076-4-101
PERFORMANCE LEVEL 2.
- 4 CONFORMS TO ALL TESTING ACCORDING TO IEC 61076-4-101
PERFORMANCE LEVEL 1.
- 5 CONNECTOR TESTED AND QUALIFIED AGAINST TELCORDIA GR-1217-CORE QUALITY LEVEL 3,
CENTRAL OFFICE APPLICATIONS.
- 6 CONNECTOR TESTED AND QUALIFIED AGAINST TELCORDIA GR-1217-CORE QUALITY LEVEL 3,
UNCONTROLLED ENVIRONMENT APPLICATIONS.
- 7 CONNECTOR MARKED WITH PART NUMBER AND DATE CODE.
ADDITIONAL CHARACTERS OR MARKINGS, AS WELL AS THE LOCATION OF THE MARKINGS,
MAY BE ADDED FOR TRACEABILITY BASED UPON MANUFACTURERS DISCRETION.
- 8 PLATED-THROUGH HOLES AT 2 x 1.5mm GRID. 213 TOTAL HOLES.
- 9 ROW "i" 13 PLATED THROUGH HOLES FOR UPPERSHIELD.
- 10 SHIELD MOUNTED ON CONNECTOR WITH DOUBLE SIDED ADHESIVE TAPE
OR ADHESIVE.
- 11 CONNECTOR LUBRICATED WITH BELCORE APPROVED LUBRICANT,
TECHNICAL REFERENCE: TR-NWT-001217 ISSUE 1, SEP 1992.
- 12 OBSOLETE PARTS: OBSOLETE CIS STREAMLINING PER D.RENAUD/D.SINISI

PLATED THRU HOLES PARAMETERS
 REFERENCE APPLICATION SPECIFICATION

FINISH	PART NUMBER
2 6 11	1-5646759-9
2 5 11	5646759-9
2 4	5646759-4
2 3	5646759-1

THIS DRAWING IS A CONTROLLED DOCUMENT.

DIMENSIONS: mm	TOLERANCES UNLESS OTHERWISE SPECIFIED:	DIN B CARBO 04AUG05	APVD G SKIPPER 04AUG05	Tyco Electronics Corporation Harrisburg, PA 17105-3608
0-PLC ±	1-PLC ±0.1	04AUG05	04AUG05	NAME: RECEPTACLE ASSEMBLY, Z-PACK 2mm HM, TYPE D/E WITH GROUND RETURN SHIELD
2-PLC ±0.05	3-PLC ±0.2			APPLICATION SPEC: 108-1622
4-PLC ±	ANGLES ±			SIZE: A1
MATERIAL 1	FINISH SEE TABLE	WEIGHT: 114-19029	SCALE: 5:1	SHEET: 1 of 1
		CUSTOMER DRAWING	SCALE: 5:1	SHEET: 1 of 1