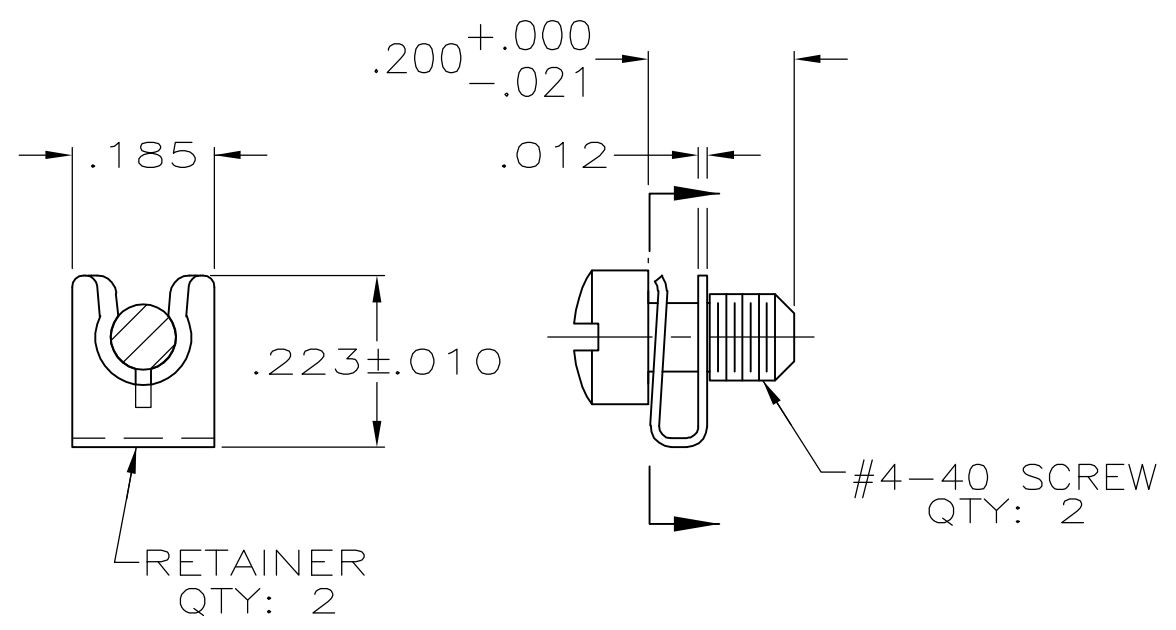


THIS DRAWING IS UNPUBLISHED. RELEASED FOR PUBLICATION
 © COPYRIGHT BY TYCO ELECTRONICS CORPORATION. ALL RIGHTS RESERVED.

LOC	DIST	REVISIONS			
P	LTR	DESCRIPTION	DATE	DWN	APVD
GP	00	0	RELEASED PER EC 0S13-0207-05	29JUN05	SW JG



- 1 COLD ROLLED STEEL.
- 2 STAINLESS STEEL.
- 3 ZINC PLATED .000200-.000400 THICK, YELLOW CHROMATE COATING.
- 4 ZINC PLATED .000200-.000400 THICK, CLEAR CHROMATE COATING.
- 5. PARTS PACKAGED UNASSEMBLED.
- 6 PARTS PACKAGED AS A UNIT KIT.
- 7 PARTS INDIVIDUALLY BULK PACKAGED & SHIPPED AS A UNIT PACKAGE.

7	4	5745136-4
6	4	5745136-3
7	3	5745136-2
6	3	5745136-1
PACKAGING	SCREW FINISH	PART NO

THIS DRAWING IS A CONTROLLED DOCUMENT.		DWN S.WAITMAN 29JUN05	Tyco Electronics Corporation Harrisburg, Pa 17105-3608	
DIMENSIONS: INCHES		CHK C.ROHDE 29JUN05		
TOLERANCES UNLESS OTHERWISE SPECIFIED:		APVD M.WALMSLEY 29JUN05	NAME	
0 PLC ± - 1 PLC ± - 2 PLC ± - 3 PLC ± .005 4 PLC ± - ANGLES ± -		PRODUCT SPEC	SCREW RETAINER KIT, AMPLIMITE	
MATERIAL SCREWS: 1 RETAINERS: 2		FINISH SCREWS: SEE TABLE	APPLICATION SPEC	RESTRICTED TO
		WEIGHT -	SIZE A3	CAGE CODE 00779
		CUSTOMER DRAWING	DRAWING NO C-5745136	REV 0
		SCALE 4:1	SHEET 1 OF 1	