

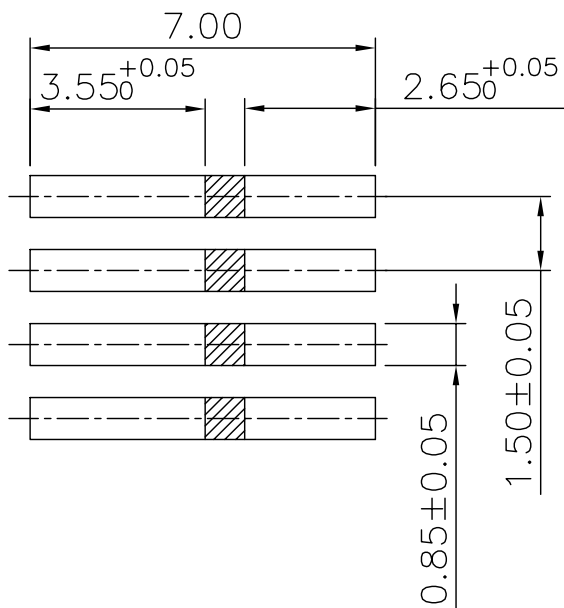
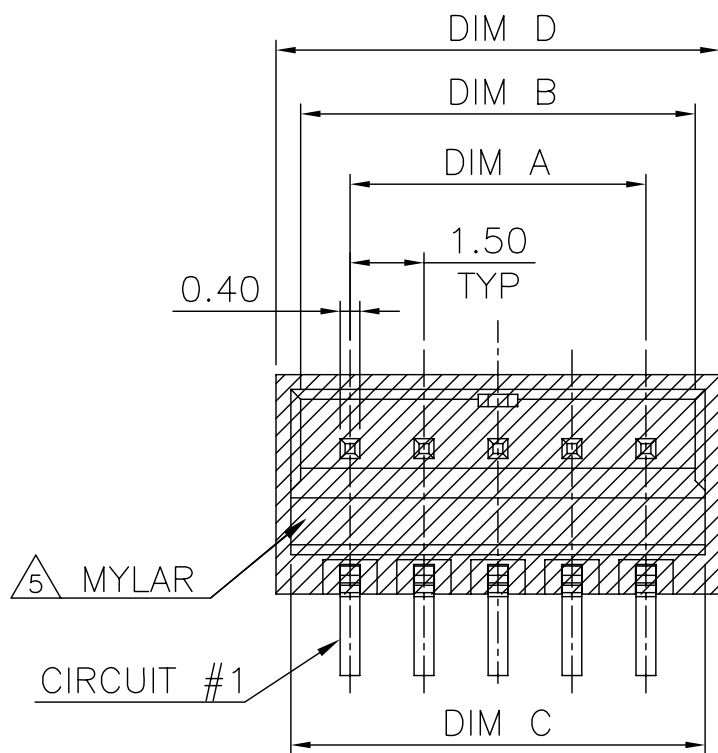
THIS DRAWING IS UNPUBLISHED. RELEASED FOR PUBLICATION AUG ,2006.

© COPYRIGHT BY TYCO ELECTRONICS CORPORATION. ALL RIGHTS RESERVED.

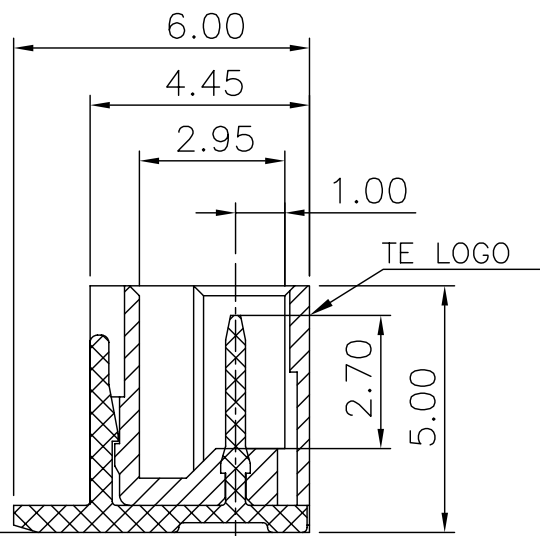
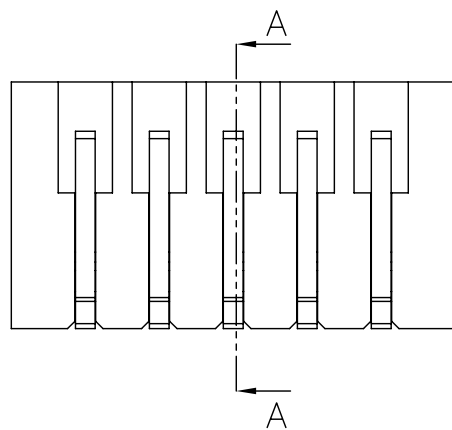
LOC	DIST	REVISIONS				
P	LTR	DESCRIPTION	DATE	DWN	APVD	
	B1	REVISED (ECR-09-003863)	19FEB09	JL	WK	

NOTES:

- MATERIALS:
HOUSING: THERMOPLASTIC, UL94-V0, COLOR: NATURAL.
TERMINAL: BRASS, THICKNESS=0.4mm.
MALAR: POLYIMIDE FILM
- FINISH:
TERMINAL: 100u" MIN. BRIGHT TIN PLATED OVER
50u" MIN. NICKEL UNDERPLATED ALL OVER.
- TERMINAL RETENTION FORCE: 1.0 Kgf MIN.
- REFLOW SOLDER CAPABLE TO 260°C PER TE SPEC 109-201, CONDITION B.
- MYLAR ATTACHED



RECOMMENDED PCB LAYOUT



0.10 ALL SOLDER TAILS

SECTION A-A

MYLAR	PACKAGE	D	C	B	A	POS.	PART NUMBER
W/	REEL	24.00	23.40	23.00	21.00	15	6-1775443-5
W/	REEL	22.50	21.90	21.50	19.50	14	6-1775443-4
W/	REEL	21.00	20.40	20.00	18.00	13	6-1775443-3
W/	REEL	19.50	18.90	18.50	16.50	12	6-1775443-2
W/	REEL	18.00	17.40	17.00	15.00	11	6-1775443-1
W/	REEL	16.50	15.90	15.50	13.50	10	6-1775443-0
W/	REEL	15.00	14.40	14.00	12.00	9	5-1775443-9
W/	REEL	13.50	12.90	12.50	10.50	8	5-1775443-8
W/	REEL	12.00	11.40	11.00	9.00	7	5-1775443-7
W/	REEL	10.50	9.90	9.50	7.50	6	5-1775443-6
W/	REEL	9.00	8.40	8.00	6.00	5	5-1775443-5
W/	REEL	7.50	6.90	6.50	4.50	4	5-1775443-4
W/	REEL	6.00	5.40	5.00	3.00	3	5-1775443-3
W/	REEL	4.50	3.90	3.50	1.50	2	5-1775443-2
W/O	TUBE	24.00	23.40	23.00	21.00	15	1-1775443-5
W/O	TUBE	22.50	21.90	21.50	19.50	14	1-1775443-4
W/O	TUBE	21.00	20.40	20.00	18.00	13	1-1775443-3
W/O	TUBE	19.50	18.90	18.50	16.50	12	1-1775443-2
W/O	TUBE	18.00	17.40	17.00	15.00	11	1-1775443-1
W/O	TUBE	16.50	15.90	15.50	13.50	10	1-1775443-0
W/O	TUBE	15.00	14.40	14.00	12.00	9	1775443-9
W/O	TUBE	13.50	12.90	12.50	10.50	8	1775443-8
W/O	TUBE	12.00	11.40	11.00	9.00	7	1775443-7
W/O	TUBE	10.50	9.90	9.50	7.50	6	1775443-6
W/O	TUBE	9.00	8.40	8.00	6.00	5	1775443-5
W/O	TUBE	7.50	6.90	6.50	4.50	4	1775443-4
W/O	TUBE	6.00	5.40	5.00	3.00	3	1775443-3
W/O	TUBE	4.50	3.90	3.50	1.50	2	1775443-2

THIS DRAWING IS A CONTROLLED DOCUMENT.		DWN S. CHIEN 27JUN2008	Tyco Electronics Corporation Tyco Electronics Taipei, Taiwan	
DIMENSIONS: MM		CHK S. CHIEN 27JUN2008	NAME	
TOLERANCES UNLESS OTHERWISE SPECIFIED:		APVD W. KODAMA 27JUN2008	PRODUCT SPEC	
0 PLC ± -		108-57631		
1 PLC ± 0.25		QUALIFICATION TEST REPORT		
2 PLC ± 0.15		501-57736		
3 PLC ± 0.10		WEIGHT - GRAMS		
4 PLC ± -		A3 00779 C=1775443		
ANGLES ± -		CUSTOMER DRAWING		
FINISH SEE NOTE		SCALE - SHEET 1 OF 3 REV B1		

THIS DRAWING IS UNPUBLISHED.

RELEASED FOR PUBLICATION

AUG ,2006.

© COPYRIGHT BY TYCO ELECTRONICS CORPORATION. ALL RIGHTS RESERVED.

LOC

DIST

REVISIONS

DW

P

LTR

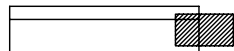
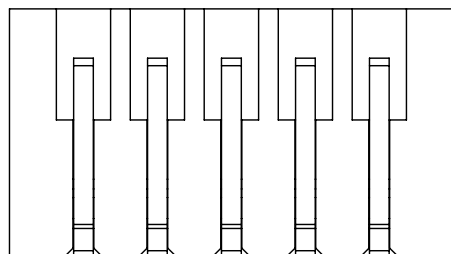
DESCRIPTION

DATE

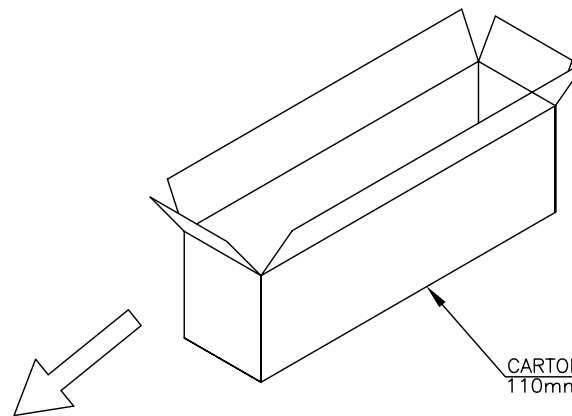
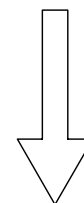
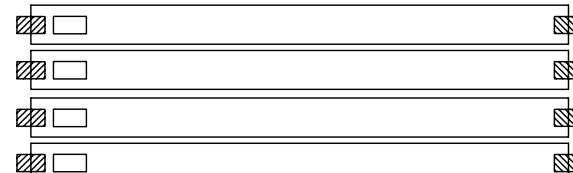
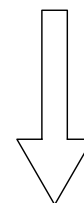
DWN

APVD

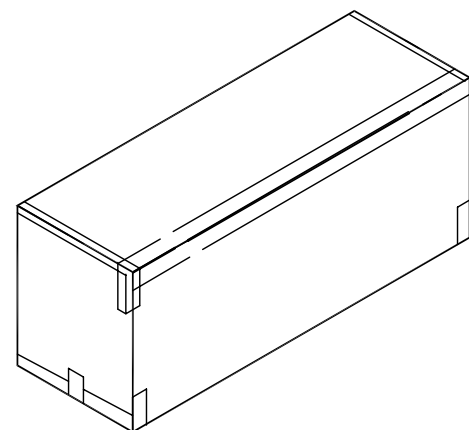
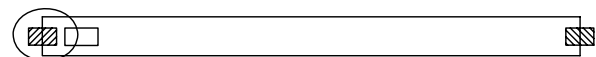
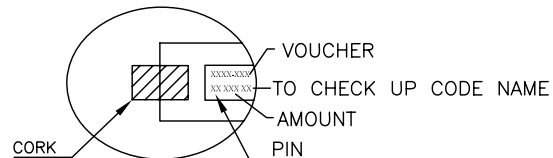
SEE SHEET 1.



TUBE
600mm(L)*8.2mm(W)*9.4mm(H)



CARTON
110mm(L)*100mm(W)*615mm(H)



20	100	2000	15	1-1775443-5
25	100	2500	14	1-1775443-4
25	100	2500	13	1-1775443-3
25	100	2500	12	1-1775443-2
30	100	3000	11	1-1775443-1
35	100	3500	10	1-1775443-0
35	100	3500	9	1775443-9
40	100	4000	8	1775443-8
45	100	4500	7	1775443-7
55	100	5500	6	1775443-6
60	100	6000	5	1775443-5
75	100	7500	4	1775443-4
95	100	9500	3	1775443-3
125	100	12500	2	1775443-2
PCS/ TUBE	TUBES/ CARTON	QUANTITY (PCS)	POS.	PART NUMBER

THIS DRAWING IS A CONTROLLED DOCUMENT.		DWN		Tyco Electronics Corporation Taipei, Taiwan																							
DIMENSIONS: MM		TOLERANCES UNLESS OTHERWISE SPECIFIED:		NAME																							
<table border="0"> <tr><td>0 PLC</td><td>± -</td></tr> <tr><td>1 PLC</td><td>± -</td></tr> <tr><td>2 PLC</td><td>± -</td></tr> <tr><td>3 PLC</td><td>± -</td></tr> <tr><td>4 PLC</td><td>± -</td></tr> <tr><td>ANGLES</td><td>± -</td></tr> </table>		0 PLC	± -	1 PLC	± -	2 PLC	± -	3 PLC	± -	4 PLC	± -	ANGLES	± -	<table border="0"> <tr><td>CHK</td><td>_____</td></tr> <tr><td>APVD</td><td>_____</td></tr> <tr><td>PRODUCT SPEC</td><td>_____</td></tr> <tr><td>APPLICATION SPEC</td><td>_____</td></tr> <tr><td>WEIGHT</td><td>_____</td></tr> </table>		CHK	_____	APVD	_____	PRODUCT SPEC	_____	APPLICATION SPEC	_____	WEIGHT	_____	EMIX CONN., 1.5mm PITCH HDR, VERTICAL	
0 PLC	± -																										
1 PLC	± -																										
2 PLC	± -																										
3 PLC	± -																										
4 PLC	± -																										
ANGLES	± -																										
CHK	_____																										
APVD	_____																										
PRODUCT SPEC	_____																										
APPLICATION SPEC	_____																										
WEIGHT	_____																										
MATERIAL		FINISH		SIZE CAGE CODE DRAWING NO RESTRICTED TO																							
-		-		A3 00779 C=1775443																							
CUSTOMER DRAWING				SCALE SHEET 2 of 3 REV B1																							

THIS DRAWING IS UNPUBLISHED.

RELEASED FOR PUBLICATION

AUG ,2006.

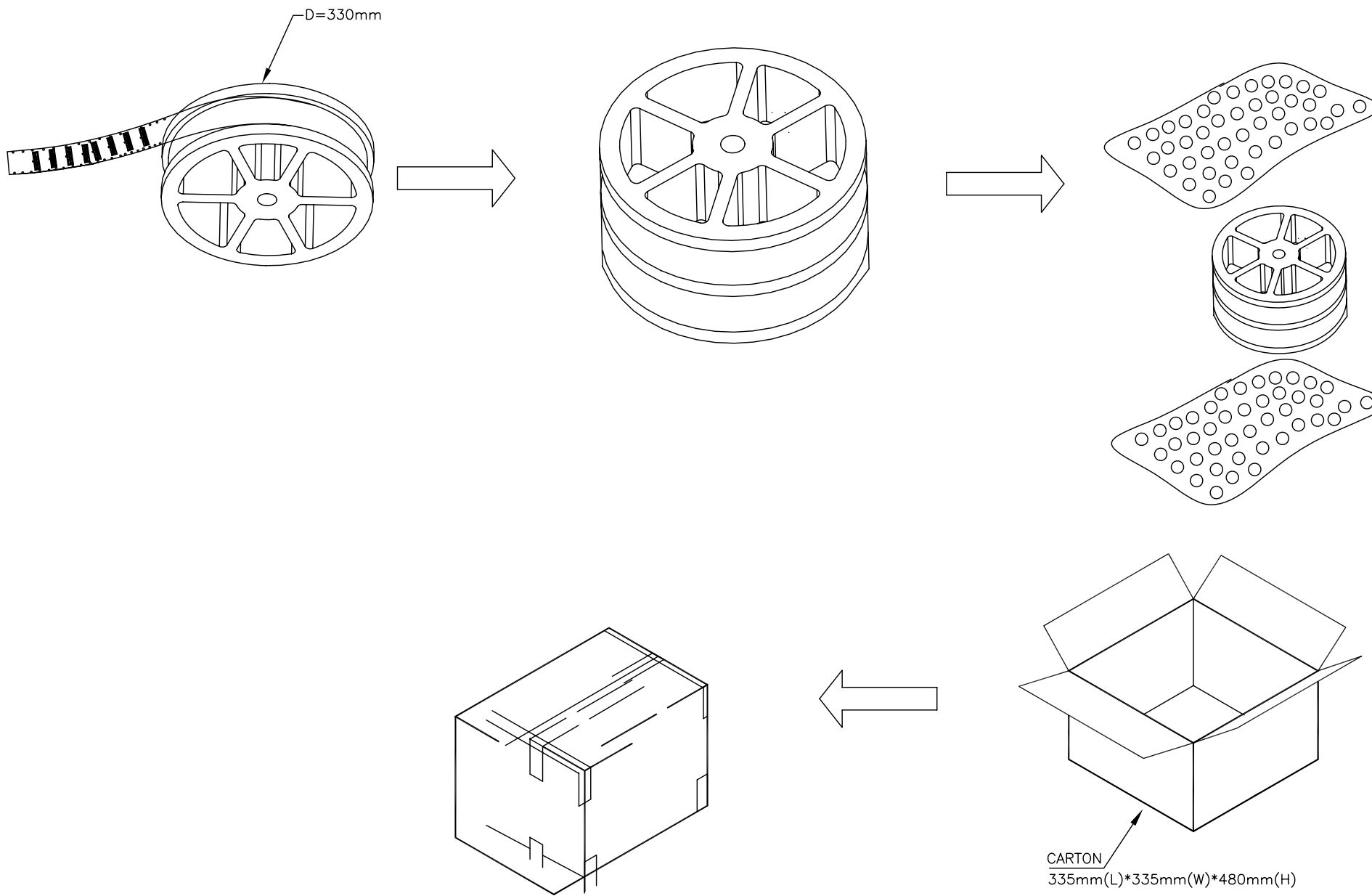
© COPYRIGHT BY TYCO ELECTRONICS CORPORATION. ALL RIGHTS RESERVED.

LOC DW

DIST

REVISIONS

P	LTR	DESCRIPTION	DATE	DWN	APVD
		SEE SHEET 1.			



PCS/REEL	REELS/CARTON	QUANTITY (PCS)	POS.	PART NUMBER
800	4	3200	15	6-1775443-5
800	4	3200	14	6-1775443-4
800	4	3200	13	6-1775443-3
800	4	3200	12	6-1775443-2
800	4	3200	11	6-1775443-1
800	4	3200	10	6-1775443-0
800	6	4800	9	5-1775443-9
800	6	4800	8	5-1775443-8
800	6	4800	7	5-1775443-7
800	6	4800	6	5-1775443-6
800	6	4800	5	5-1775443-5
800	9	7200	4	5-1775443-4
800	9	7200	3	5-1775443-3
800	9	7200	2	5-1775443-2

THIS DRAWING IS A CONTROLLED DOCUMENT.		DWN		Tyco Electronics Corporation Taipei, Taiwan	
DIMENSIONS: MM		CHK		NAME	
TOLERANCES UNLESS OTHERWISE SPECIFIED:		APVD		EMIX CONN., 1.5mm PITCH HDR, VERTICAL	
0 PLC ± -		PRODUCT SPEC		SIZE	
1 PLC ± -		APPLICATION SPEC		CAGE CODE	
2 PLC ± -		WEIGHT		DRAWING NO	
3 PLC ± -		CUSTOMER DRAWING		RESTRICTED TO	
4 PLC ± -		SCALE		SHEET	
ANGLES ± -		—		3 of 3	
FINISH		—		REV	
MATERIAL		—		B1	