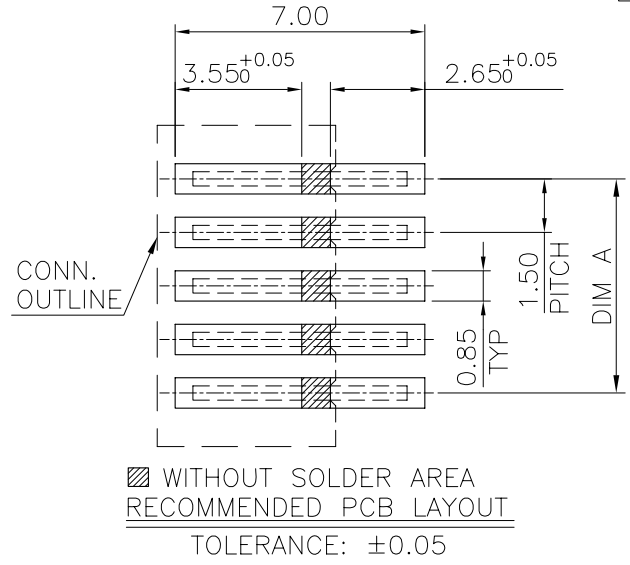
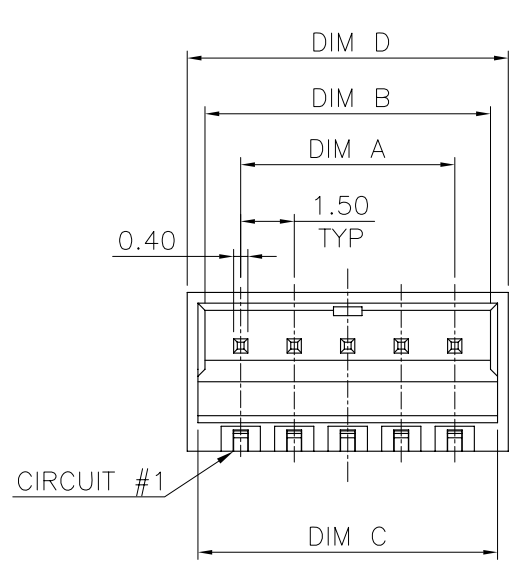


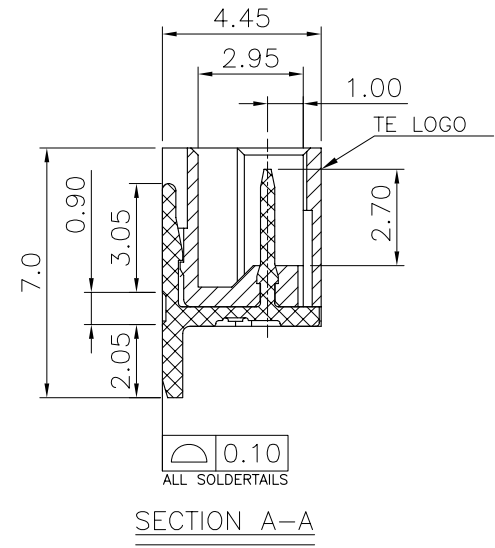
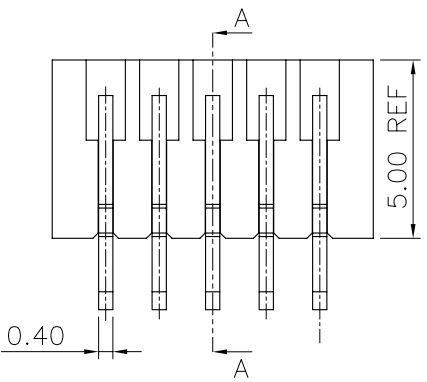
THIS DRAWING IS UNPUBLISHED. RELEASED FOR PUBLICATION AUG. 2006.
 © COPYRIGHT BY TYCO ELECTRONICS CORPORATION. ALL RIGHTS RESERVED.

| LOC | | DIST | | REVISIONS | | | | |
|-----|--|------|-----|-------------------------|---------|-----|------|--|
| DW | | P | LTR | DESCRIPTION | DATE | DWN | APVD | |
| | | A2 | | REVISED (ECR-10-011844) | 02JUN10 | JL | WK | |



- NOTES:
- MATERIALS:
HOUSING: THERMOPLASTIC, UL94-V0, COLOR: NATURAL.
TERMINAL: BRASS, THICKNESS=0.4mm.
 - FINISH:
TERMINAL: 100u" MIN. BRIGHT TIN PLATED OVER
50u" MIN. NICKEL UNDERPLATED ALL OVER.
 - TERMINAL RETENTION FORCE: 1.0 Kgf MIN.
 - REFLOW SOLDER CAPABLE TO 260°C PER TE SPEC 109-201, CONDITION B.

| | | | | | | |
|---------|-------|-------|-------|-------|------|-------------|
| REEL | 24.00 | 23.40 | 23.00 | 21.00 | 15 | 6-1775444-5 |
| | 22.50 | 21.90 | 21.50 | 19.50 | 14 | 6-1775444-4 |
| | 21.00 | 20.40 | 20.00 | 18.00 | 13 | 6-1775444-3 |
| | 19.50 | 18.90 | 18.50 | 16.50 | 12 | 6-1775444-2 |
| | 18.00 | 17.40 | 17.00 | 15.00 | 11 | 6-1775444-1 |
| | 16.50 | 15.90 | 15.50 | 13.50 | 10 | 6-1775444-0 |
| | 15.00 | 14.40 | 14.00 | 12.00 | 9 | 5-1775444-9 |
| | 13.50 | 12.90 | 12.50 | 10.50 | 8 | 5-1775444-8 |
| | 12.00 | 11.40 | 11.00 | 9.00 | 7 | 5-1775444-7 |
| | 10.50 | 9.90 | 9.50 | 7.50 | 6 | 5-1775444-6 |
| TUBE | 9.00 | 8.40 | 8.00 | 6.00 | 5 | 5-1775444-5 |
| | 7.50 | 6.90 | 6.50 | 4.50 | 4 | 5-1775444-4 |
| | 6.00 | 5.40 | 5.00 | 3.00 | 3 | 5-1775444-3 |
| | 4.50 | 3.90 | 3.50 | 1.50 | 2 | 5-1775444-2 |
| | 24.00 | 23.40 | 23.00 | 21.00 | 15 | 1-1775444-5 |
| | 22.50 | 21.90 | 21.50 | 19.50 | 14 | 1-1775444-4 |
| | 21.00 | 20.40 | 20.00 | 18.00 | 13 | 1-1775444-3 |
| | 19.50 | 18.90 | 18.50 | 16.50 | 12 | 1-1775444-2 |
| | 18.00 | 17.40 | 17.00 | 15.00 | 11 | 1-1775444-1 |
| | 16.50 | 15.90 | 15.50 | 13.50 | 10 | 1-1775444-0 |
| PACKAGE | 15.00 | 14.40 | 14.00 | 12.00 | 9 | 1775444-9 |
| | 13.50 | 12.90 | 12.50 | 10.50 | 8 | 1775444-8 |
| | 12.00 | 11.40 | 11.00 | 9.00 | 7 | 1775444-7 |
| | 10.50 | 9.90 | 9.50 | 7.50 | 6 | 1775444-6 |
| | 9.00 | 8.40 | 8.00 | 6.00 | 5 | 1775444-5 |
| | 7.50 | 6.90 | 6.50 | 4.50 | 4 | 1775444-4 |
| | 6.00 | 5.40 | 5.00 | 3.00 | 3 | 1775444-3 |
| | 4.50 | 3.90 | 3.50 | 1.50 | 2 | 1775444-2 |
| | D | C | B | A | POS. | PART NUMBER |



THIS DRAWING IS A CONTROLLED DOCUMENT.

| | | | | |
|-------------------|--|---------------------------|--|--|
| DIMENSIONS: MM | TOLERANCES UNLESS OTHERWISE SPECIFIED: | DWN J. LAI 19FEB2009 | Tyco Electronics Corporation Taipei, Taiwan | |
| 0 PLC ± - | 1 PLC ± 0.25 | CHK S. CHIEN 19FEB2009 | NAME EMIX CONN., 1.5mm PITCH HDR, RIGHT ANGLE | |
| 2 PLC ± 0.15 | 3 PLC ± 0.10 | APVD W. KODAMA 19FEB2009 | | |
| 4 PLC ± - | ANGLES ± - | PRODUCT SPEC | SIZE CAGE CODE DRAWING NO RESTRICTED TO | |
| MATERIAL SEE NOTE | FINISH SEE NOTE | QUALIFICATION TEST REPORT | A3 00779 C=1775444 | |
| | | WEIGHT - GRAMS | CUSTOMER DRAWING SCALE SHEET 1 OF 3 REV A2 | |

THIS DRAWING IS UNPUBLISHED.

RELEASED FOR PUBLICATION AUG ,2006.

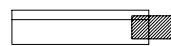
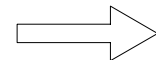
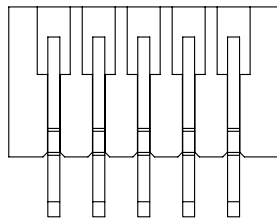
© COPYRIGHT - BY TYCO ELECTRONICS CORPORATION. ALL RIGHTS RESERVED.

LOC DW

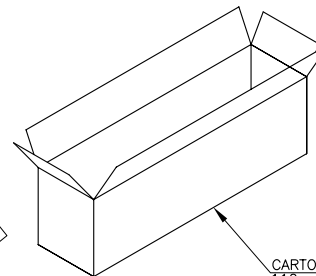
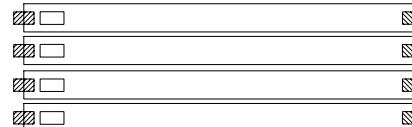
DIST

REVISIONS

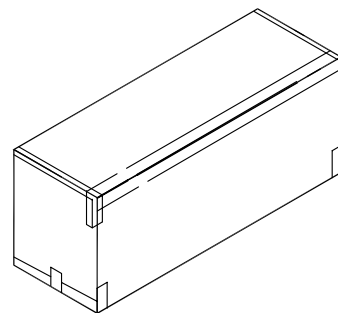
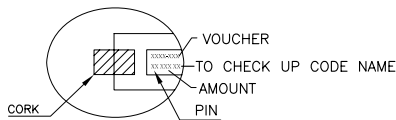
| P | LTR | DESCRIPTION | DATE | DWN | APVD |
|---|-----|--------------|------|-----|------|
| | | SEE SHEET 1. | | | |



TUBE 600mm(L)*8.2mm(W)*9.4mm(H)



CARTON 110mm(L)*100mm(W)*615mm(H)



| 20 | 100 | 2000 | 15 | 1-1775444-5 |
|----------|--------------|----------------|------|-------------|
| 25 | 100 | 2500 | 14 | 1-1775444-4 |
| 25 | 100 | 2500 | 13 | 1-1775444-3 |
| 25 | 100 | 2500 | 12 | 1-1775444-2 |
| 30 | 100 | 3000 | 11 | 1-1775444-1 |
| 35 | 100 | 3500 | 10 | 1-1775444-0 |
| 35 | 100 | 3500 | 9 | 1775444-9 |
| 40 | 100 | 4000 | 8 | 1775444-8 |
| 45 | 100 | 4500 | 7 | 1775444-7 |
| 55 | 100 | 5500 | 6 | 1775444-6 |
| 60 | 100 | 6000 | 5 | 1775444-5 |
| 75 | 100 | 7500 | 4 | 1775444-4 |
| 95 | 100 | 9500 | 3 | 1775444-3 |
| 125 | 100 | 12500 | 2 | 1775444-2 |
| PCS/TUBE | TUBES/CARTON | QUANTITY (PCS) | POS. | PART NUMBER |

| | | | | |
|--|--|------------------|--|--|
| THIS DRAWING IS A CONTROLLED DOCUMENT. | | DWN | Tyco Electronics Corporation Taipei, Taiwan | |
| DIMENSIONS: MM | | CHK | NAME | |
| TOLERANCES UNLESS OTHERWISE SPECIFIED: | | APVD | EMIX CONN., 1.5mm PITCH HDR, RIGHT ANGLE | |
| 0 PLC ± - | | PRODUCT SPEC | SIZE CAGE CODE DRAWING NO RESTRICTED TO | |
| 1 PLC ± - | | APPLICATION SPEC | A3 00779 C=1775444 | |
| 2 PLC ± - | | WEIGHT | CUSTOMER DRAWING SCALE SHEET 2 of 3 REV A2 | |
| 3 PLC ± - | | | | |
| 4 PLC ± - | | | | |
| ANGLES ± - | | | | |
| FINISH | | | | |

THIS DRAWING IS UNPUBLISHED.

RELEASED FOR PUBLICATION AUG ,2006.

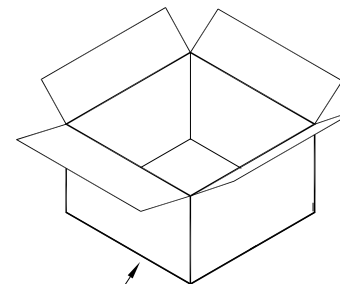
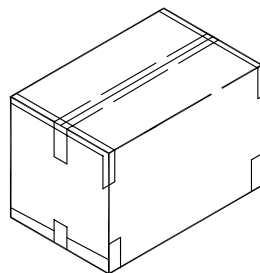
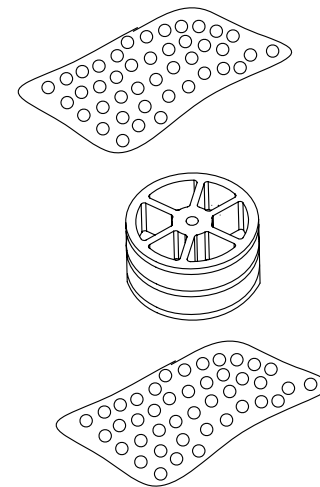
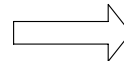
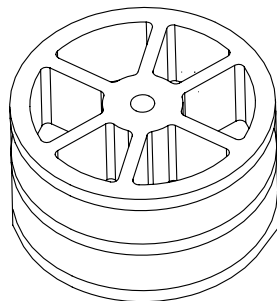
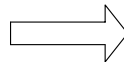
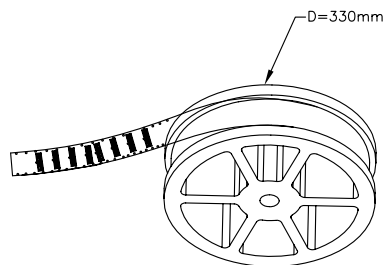
© COPYRIGHT - BY TYCO ELECTRONICS CORPORATION. ALL RIGHTS RESERVED.

LOC DW

DIST

REVISIONS

| P | LTR | DESCRIPTION | DATE | DWN | APVD |
|---|-----|--------------|------|-----|------|
| | | SEE SHEET 1. | | | |

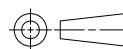


CARTON
335mm(L)*335mm(W)*480mm(H)

| 1000 | 4 | 4000 | 15 | 6-1775444-5 |
|----------|--------------|----------------|------|-------------|
| 1000 | 4 | 4000 | 14 | 6-1775444-4 |
| 1000 | 4 | 4000 | 13 | 6-1775444-3 |
| 1000 | 4 | 4000 | 12 | 6-1775444-2 |
| 1000 | 4 | 4000 | 11 | 6-1775444-1 |
| 1000 | 4 | 4000 | 10 | 6-1775444-0 |
| 1000 | 6 | 6000 | 9 | 5-1775444-9 |
| 1000 | 6 | 6000 | 8 | 5-1775444-8 |
| 1000 | 6 | 6000 | 7 | 5-1775444-7 |
| 1000 | 6 | 6000 | 6 | 5-1775444-6 |
| 1000 | 6 | 6000 | 5 | 5-1775444-5 |
| 1000 | 9 | 9000 | 4 | 5-1775444-4 |
| 1000 | 9 | 9000 | 3 | 5-1775444-3 |
| 1000 | 9 | 9000 | 2 | 5-1775444-2 |
| PCS/REEL | REELS/CARTON | QUANTITY (PCS) | POS. | PART NUMBER |

THIS DRAWING IS A CONTROLLED DOCUMENT.

DIMENSIONS:
MM



TOLERANCES UNLESS OTHERWISE SPECIFIED:

| | |
|--------|-----|
| 0 PLC | ± - |
| 1 PLC | ± - |
| 2 PLC | ± - |
| 3 PLC | ± - |
| 4 PLC | ± - |
| ANGLES | ± - |

MATERIAL

FINISH

| | |
|------------------|---|
| DWN | / |
| CHK | / |
| APVD | / |
| PRODUCT SPEC | - |
| APPLICATION SPEC | - |
| WEIGHT | - |
| CUSTOMER DRAWING | |

Tyco Electronics Tyco Electronics Corporation
Taipei, Taiwan

| | | | | |
|-------|-----------|------------|---------------|---|
| NAME | | | | EMIX CONN., 1.5mm PITCH HDR, RIGHT ANGLE |
| SIZE | CAGE CODE | DRAWING NO | RESTRICTED TO | |
| A3 | 00779 | C=1775444 | - | |
| SCALE | | | SHEET | REV |
| - | | | 3 of 3 | A2 |