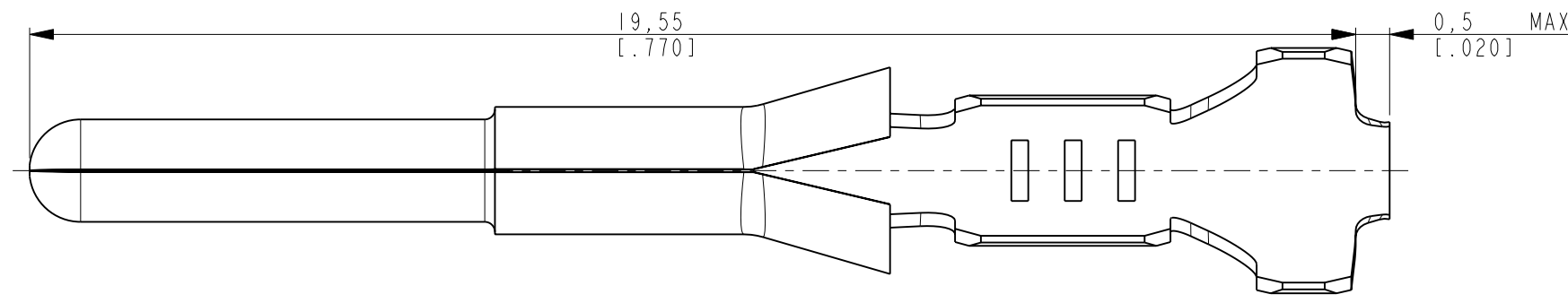


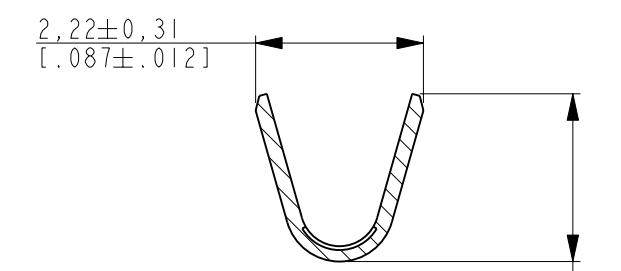
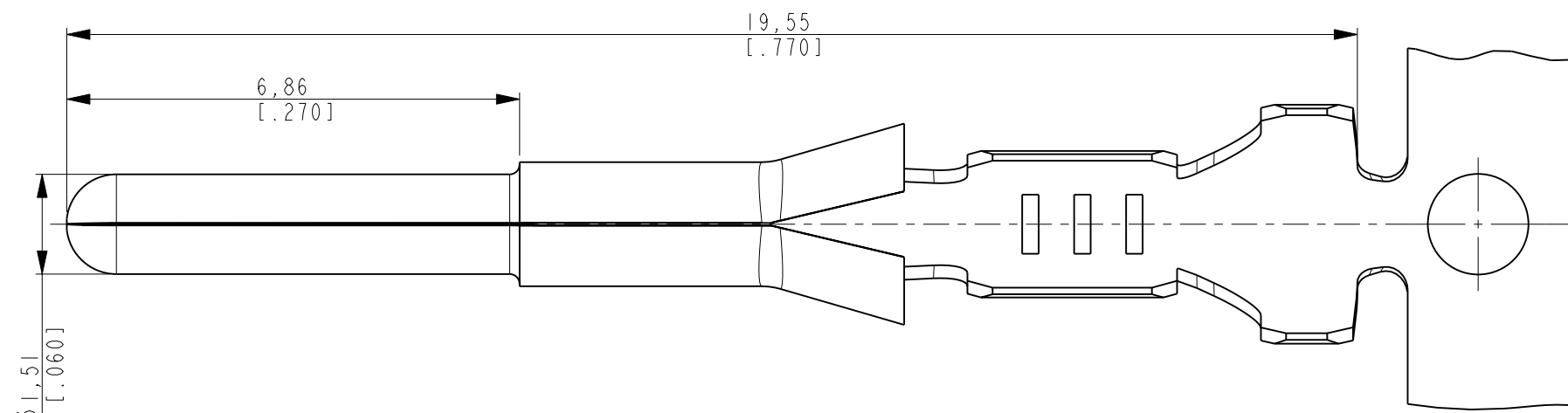
THIS DRAWING IS UNPUBLISHED. RELEASED FOR PUBLICATION 20
 © COPYRIGHT 20 BY TYCO ELECTRONICS CORPORATION. ALL RIGHTS RESERVED.

LOC	DIST	REVISIONS					
H	-	P	LTR	DESCRIPTION	DATE	DWN	APVD
			G	ECR-07-010896	27AUG2007	JV	DC
			H	ECR-08-026935	24OCT2008	DC	TdB

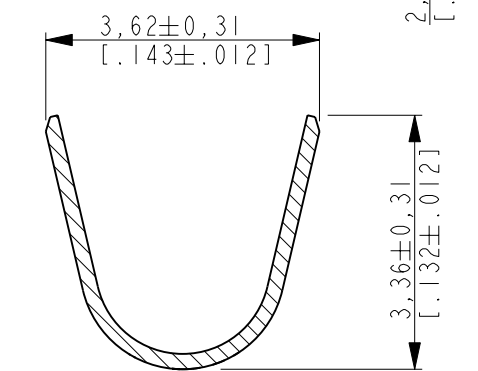
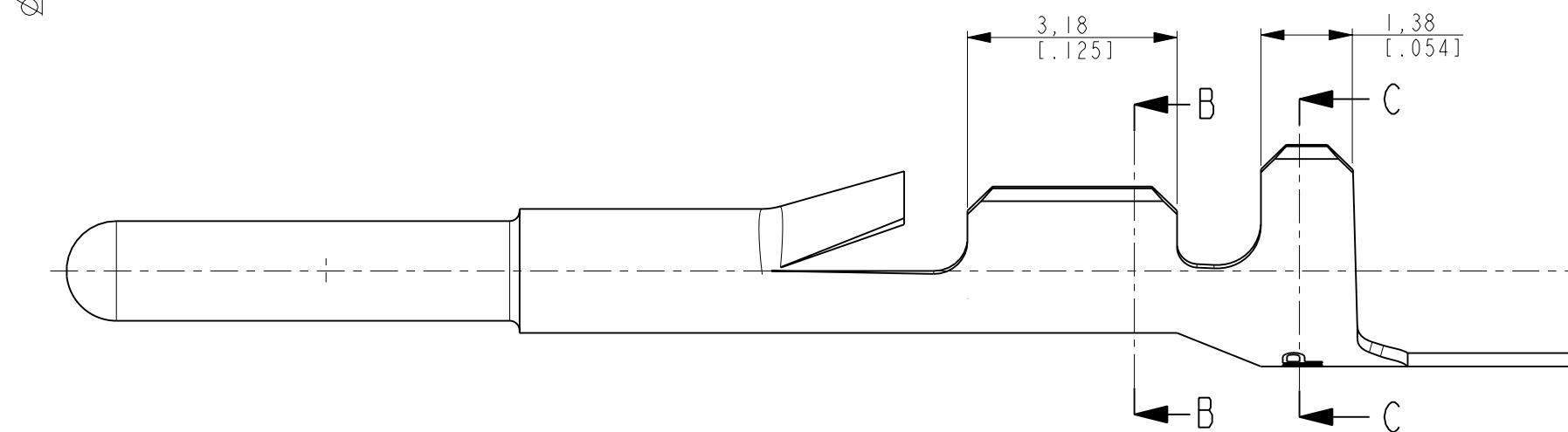


LOOSE PIECE

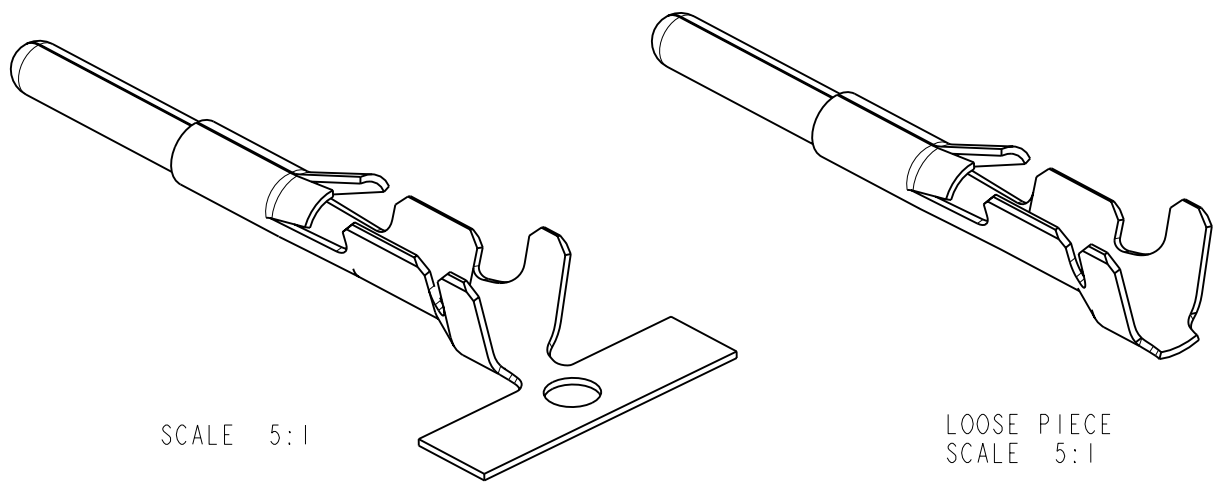
NOTES:
 ⚠ WIRE RANGE #22 TO #18 AWG; INSULATION RANGE 1,5 mm TO 2,8 mm [0.060 TO .100 INCH]



SECTION B-B



SECTION C-C



ITEM	FINISH	MATERIAL	DESCRIPTION	PARTNUMBER
3	POST-TIN OVER NICKEL	BRASS	LOOSE PIECE	61121-1
2	PRE-TIN	BRASS	STRIP PRODUCT	61062-3
1	POST-TIN OVER NICKEL	BRASS	STRIP PRODUCT	61062-1

THIS DRAWING IS A CONTROLLED DOCUMENT FOR TYCO ELECTRONICS CORPORATION IT IS SUBJECT TO CHANGE AND THE CONTROLLING ENGINEERING ORGANIZATION SHOULD BE CONTACTED FOR THE LATEST REVISION.

DIMENSIONS:		TOLERANCES UNLESS OTHERWISE SPECIFIED:	
mm	[inch]		
0 PLC		±-	
1 PLC		±-	
2 PLC		±0,13	
3 PLC		±[0.005]	
4 PLC		±-	
ANGLES		±2°	
MATERIAL	-	FINISH	-

DWN	J.VOS	27AUG07
CHK	D.CAMPSCHROER	27AUG07
APVD	T.DE BOER	27AUG07
PRODUCT SPEC	-	-
APPLICATION SPEC	-	-
WEIGHT	-	-
CUSTOMER DRAWING		

Tyco Electronics Tyco Electronics Corporation
 's-Hertogenbosch, Nederland

NAME: .060 COMBOLINE PIN

SIZE	CAGE CODE	DRAWING NO	RESTRICTED TO
A3	00779	C-61062	-

SCALE 10:1 SHEET 1 OF 1 REV H