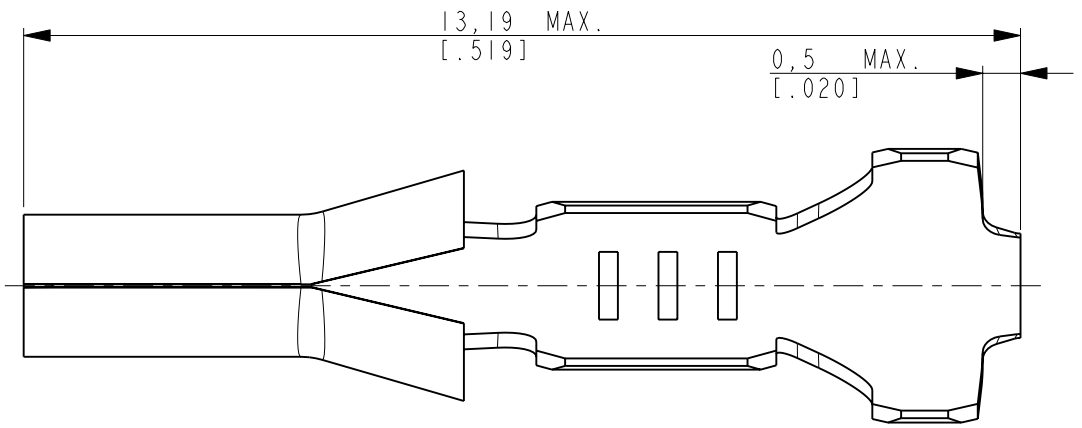


THIS DRAWING IS UNPUBLISHED. RELEASED FOR PUBLICATION 20
 © COPYRIGHT 20 BY TYCO ELECTRONICS CORPORATION. ALL RIGHTS RESERVED.

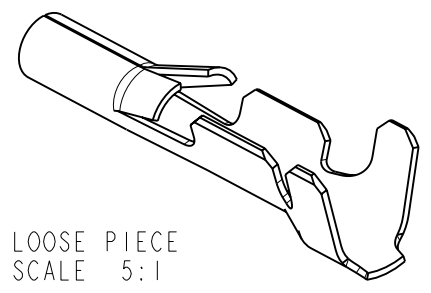
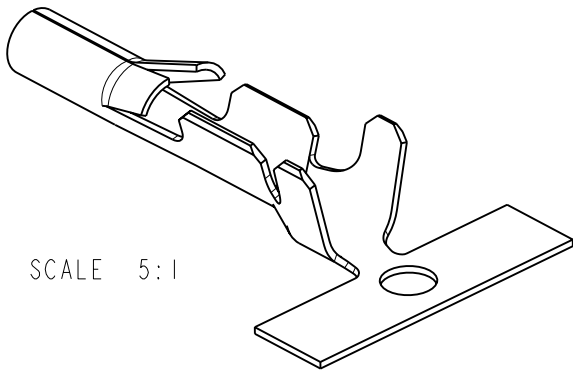
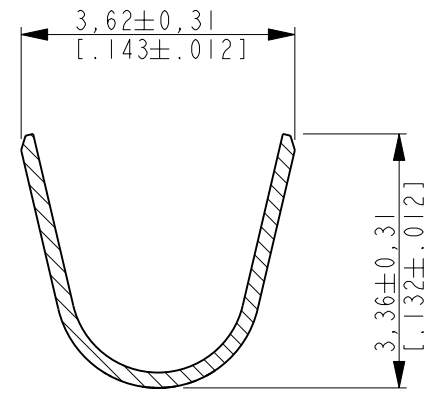
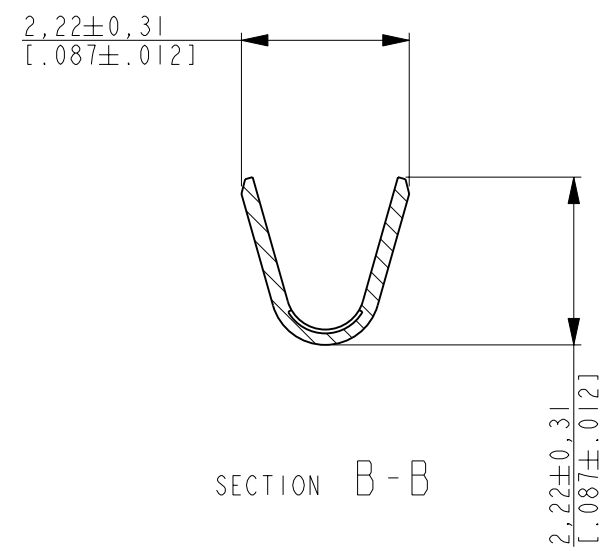
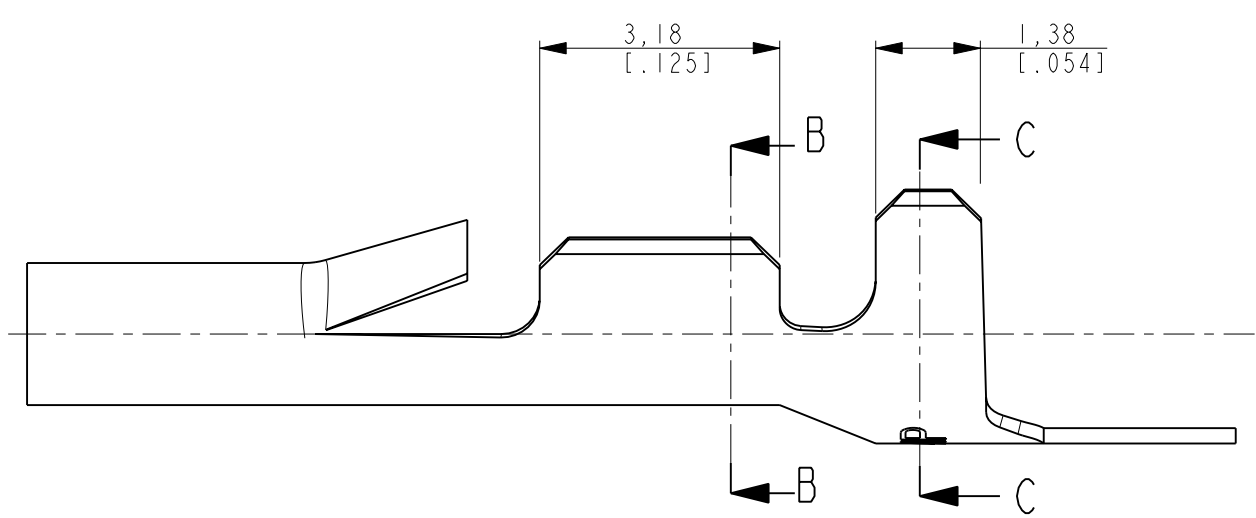
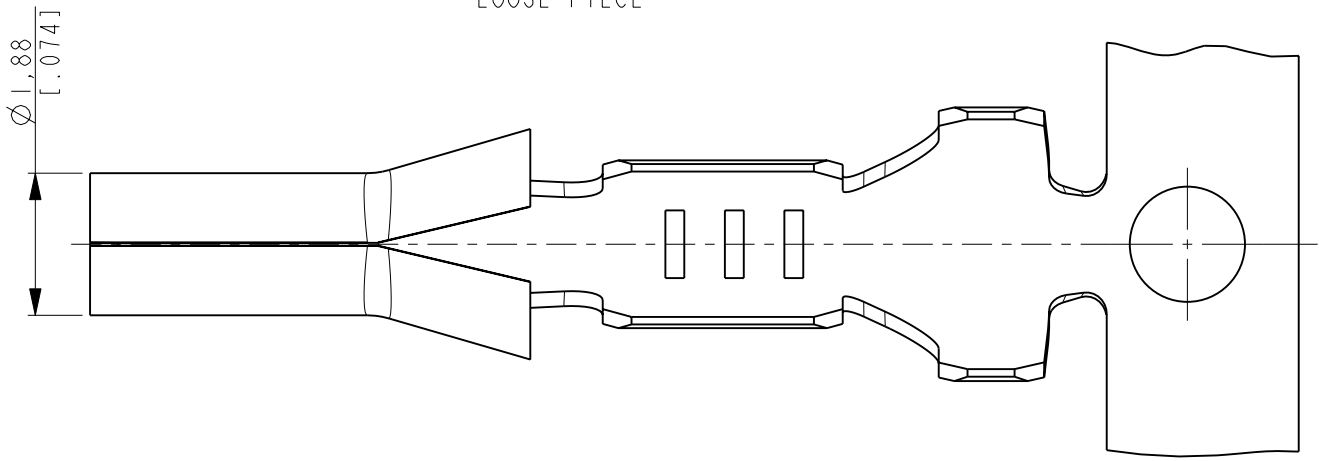
| LOC | DIST | REVISIONS | | | | | |
|-----|------|-----------|-----|---------------|-----------|-----|------|
| | | P | LTR | DESCRIPTION | DATE | DWN | APVD |
| H | - | | H | ECR-07-010896 | 27AUG2007 | JV | DC |
| | | | J | ECR-08-026935 | 24OCT2008 | DC | TdB |

NOTES:

⚠ WIRE RANGE #22 TO #18 AWG; INSULATION RANGE 1,5 mm TO 2,8 mm [.060 TO .100 INCH]



LOOSE PIECE



| ITEM | FINISH | MATERIAL | DESCRIPTION | PARTNUMBER |
|------|----------------------|----------|---------------|------------|
| 3 | POST-TIN OVER NICKEL | BRASS | LOOSE PIECE | 61123-1 |
| 2 | PRE-TIN | BRASS | STRIP PRODUCT | 61064-3 |
| 1 | POST-TIN OVER NICKEL | BRASS | STRIP PRODUCT | 61064-1 |

| | | | | | |
|---|--|--|--|---|--|
| <small>THIS DRAWING IS A CONTROLLED DOCUMENT FOR TYCO ELECTRONICS CORPORATION IT IS SUBJECT TO CHANGE AND THE CONTROLLING ENGINEERING ORGANIZATION SHOULD BE CONTACTED FOR THE LATEST REVISION.</small> | | DWN J.VOS 27AUG07 CHK D.CAMPSCHROER 27AUG07 APVD T.DE BOER 27AUG07 | | Tyco Electronics Corporation 's-Hertogenbosch, Nederland | |
| DIMENSIONS: mm [inch] | | TOLERANCES UNLESS OTHERWISE SPECIFIED: 0 PLC ±- 1 PLC ±- 2 PLC ±0,13 3 PLC ±[.005] 4 PLC ±- ANGLES ±2° | | NAME .060 COMBOLINE SOCKET | |
| MATERIAL SEE TABLE | | FINISH SEE TABLE | | PRODUCT SPEC - APPLICATION SPEC - WEIGHT - | |
| | | CUSTOMER DRAWING | | SIZE A3 CAGE CODE 00779 DRAWING NO C-61064 RESTRICTED TO - | |
| | | SCALE 10:1 | | SHEET 1 OF 1 REV J | |