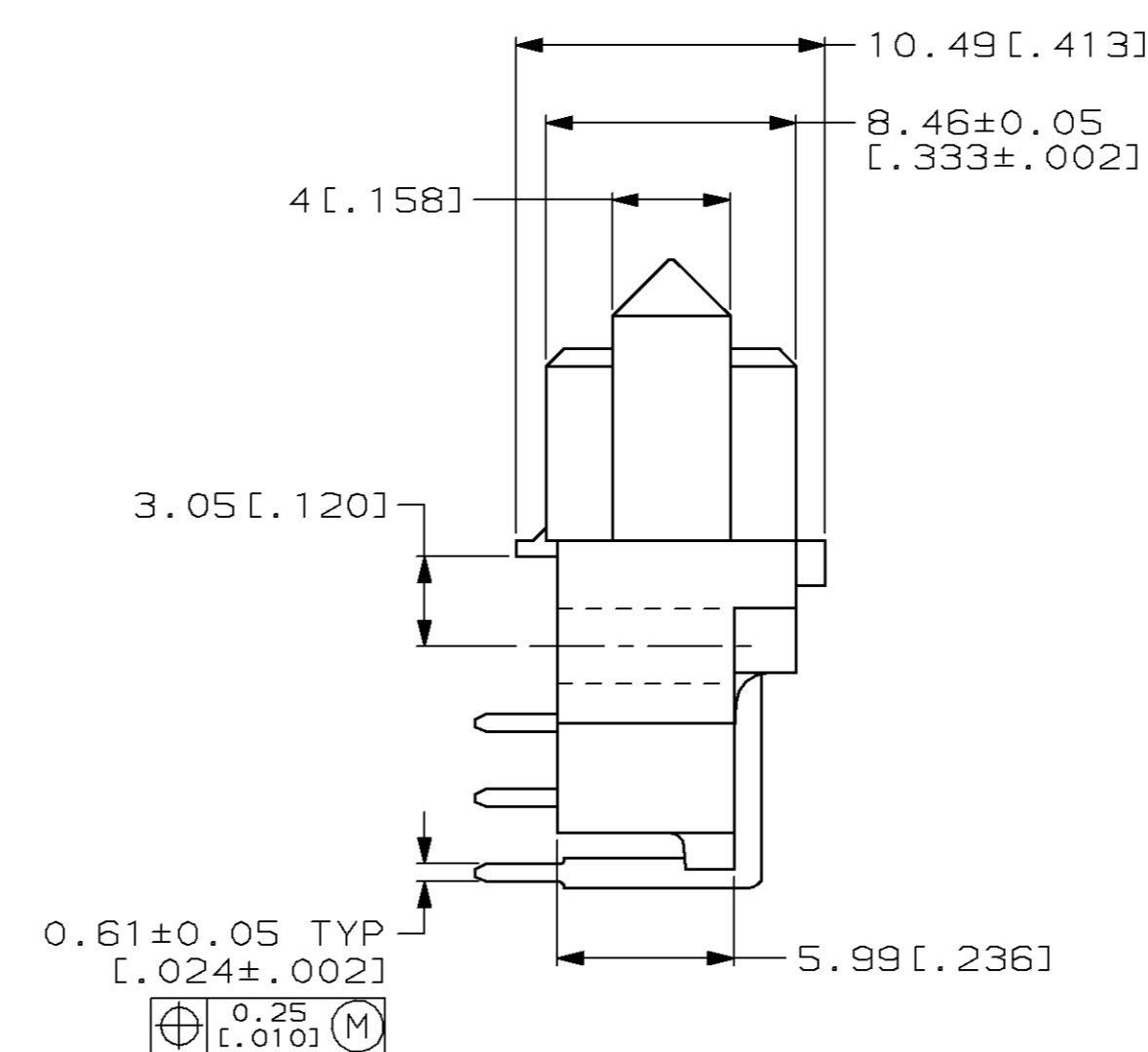
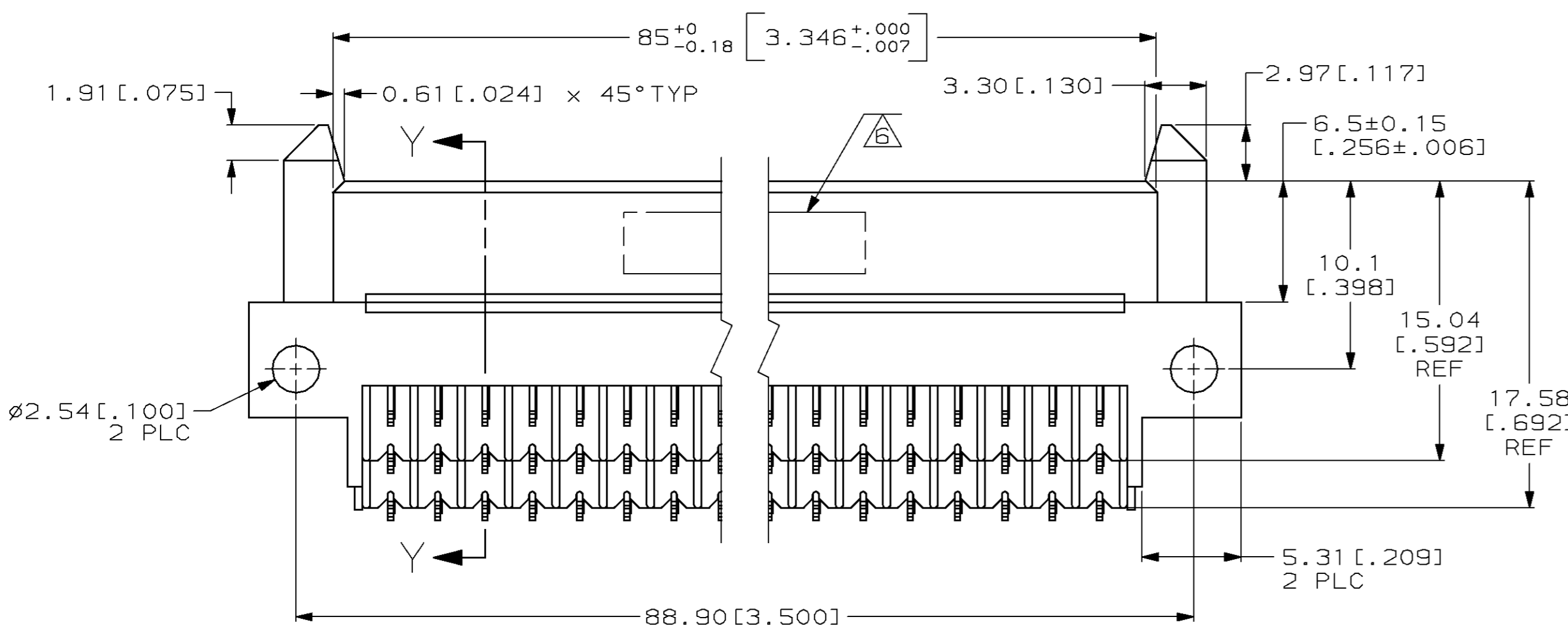
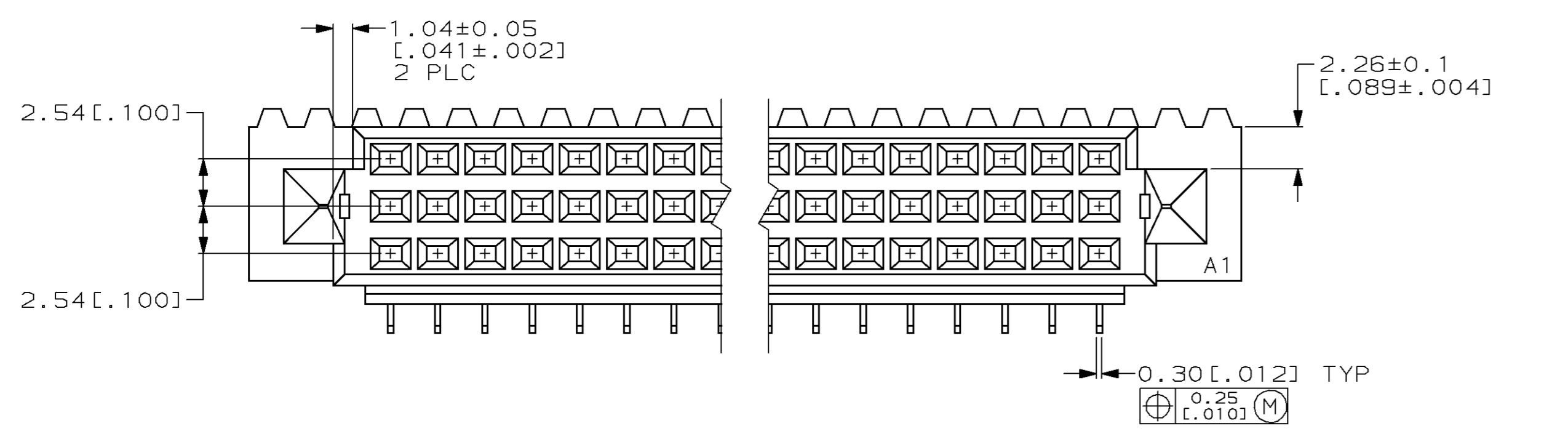
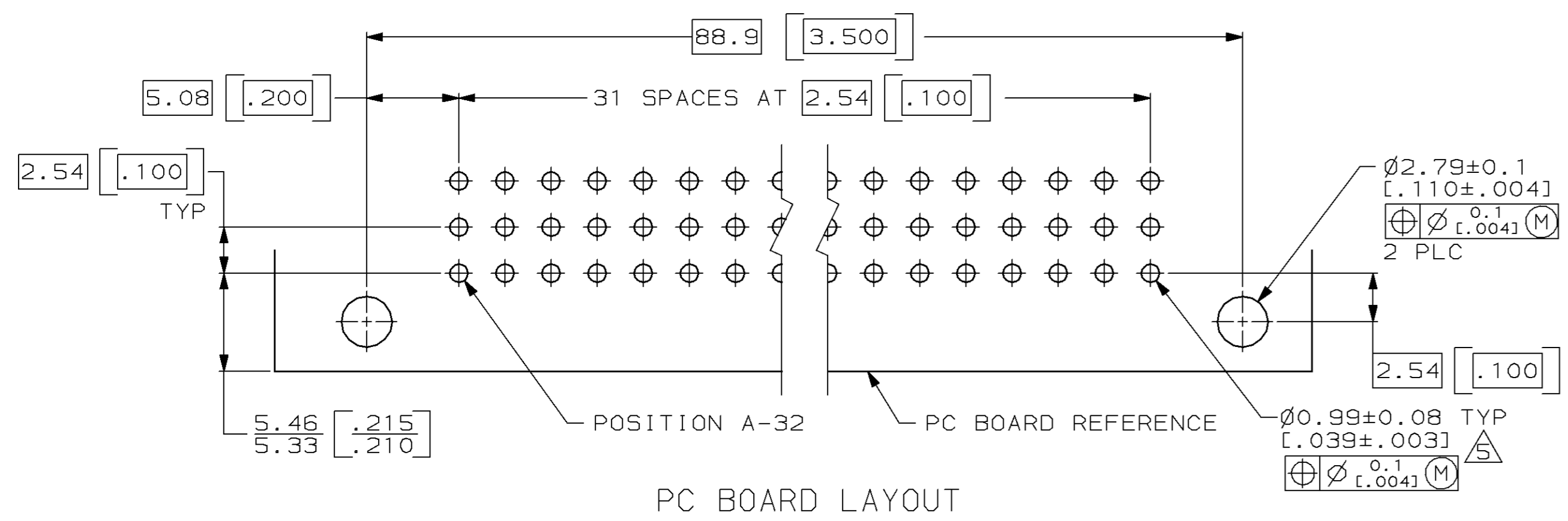
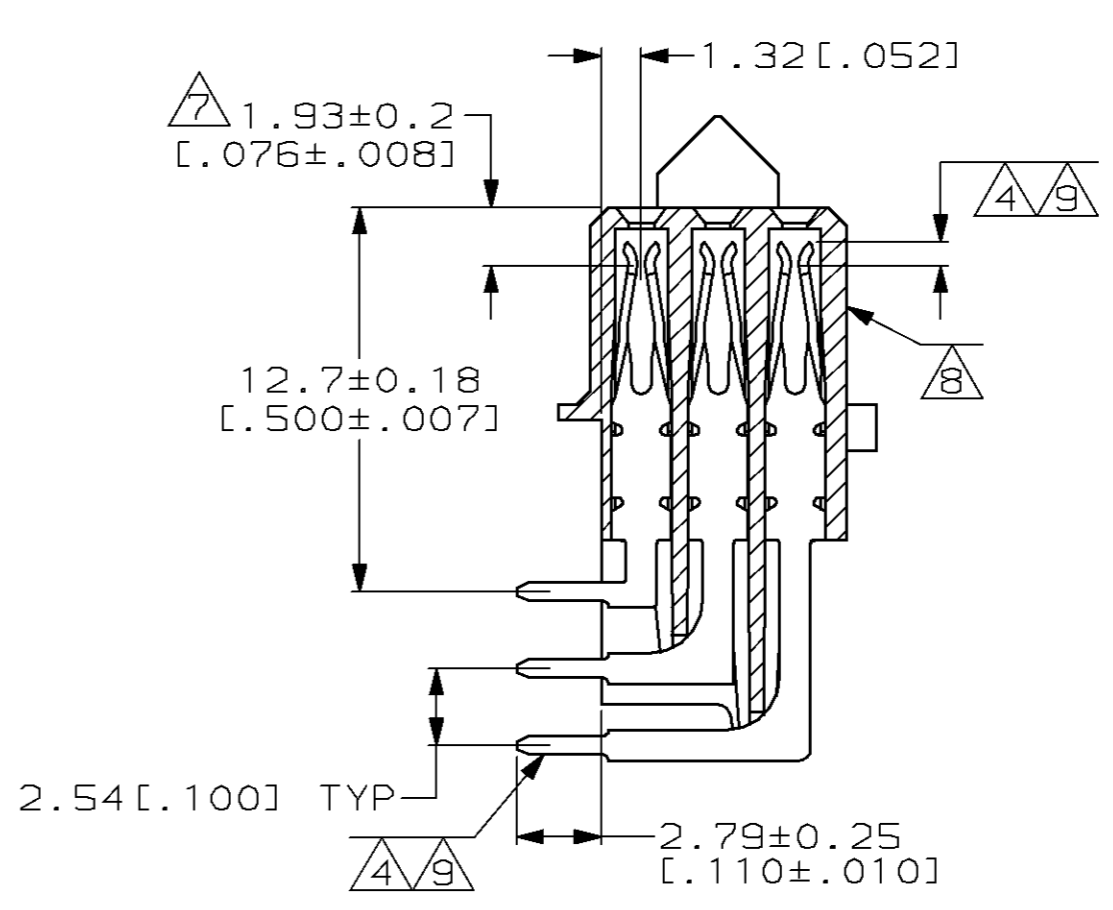
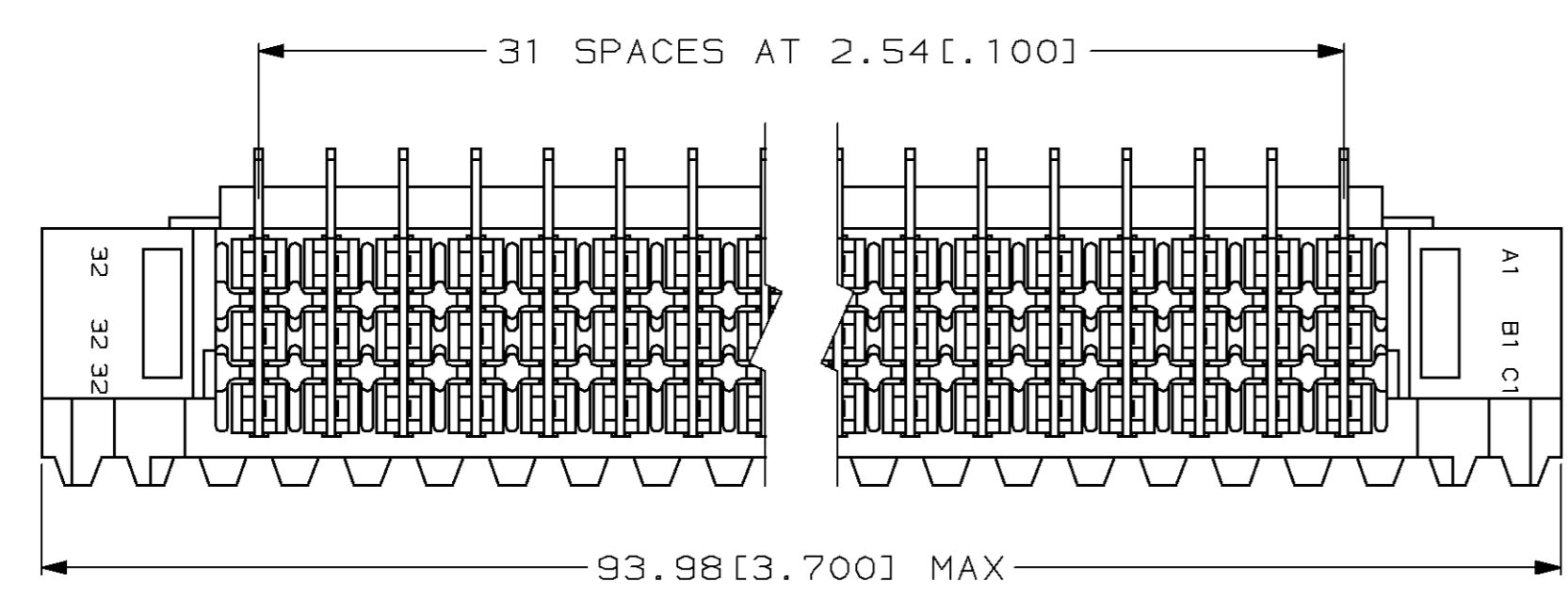


LOC		DIST		P		F		ZONE		LTR		REVISIONS			
AD	25											DESCRIPTION	DATE	APPD	
												0	DRAWN	-	LSB
												A	ECN AD6003	12/30/91	LSB
												B	ECN AD6176	3/6/92	LSB
												C	EC 0010-0647-94	8/25/94	LSB
												D	EC 0010-1369-94	8/25/94	LSB
												E	EC 0010-1457-95	1/18/96	CR
												F	EC 0010-1469-95	4/1/96	CR



- 1 DIMENSIONS IN BRACKETS ARE IN INCHES.
- 2 HOUSING MATERIAL: GLASS-FILLED POLYESTER. COLOR: GRAY.
- 3 CONTACT MATERIAL: PHOSPHOR BRONZE.
- 4 CONTACT FINISH: 0.00076[.000030] GOLD IN CONTACT AREA. 0.00127[.000050] NICKEL UNDERPLATE ALL OVER. TIN-LEAD ON POSTS.
- 5 RECOMMENDED HOLE SIZE FOR MANUAL APPLICATION OF CONNECTOR ONTO PC BOARD.
- 6 PART NUMBER, DATE CODE IDENTIFICATION, CSA LOGO HOT-STAMPED THIS APPROXIMATE AREA.
- 7 CONTACT POINT.
- 8 HOT-STAMPING ON THIS SIDE.
- 9 CONTACT FINISH: DIN 41612 CLASS 2 IN CONTACT AREA. TIN-LEAD ON POSTS.



SUPERSEDED BY 650995-5  
 650995-5  
 650995-4  
 PART NO

DO NOT SCALE PRINT. UNLESS SPECIFIED DIMENSIONS IN mm [INCHES] TOLERANCES ON:		DR L. BRINER 10/24/91	AMP Incorporated Harrisburg, PA 17105-3608
1 PLC DEC ± -		CHK N. DRASHER 12/31/91	
2 PLC DEC ± 0.13[.005]		APPD N. DRASHER 12/31/91	NAME
ANGLES ± -		APPD K.R. PARMER 12/31/91	RECEPTACLE ASSEMBLY, EUROCARD, TYPE "R" WITH GUIDE PINS
MATERIAL		PRODUCT SPEC	
HOUSING: 1		APPLICATION SPEC	SIZE D
CONTACT: 3			CAGE CODE 00779
FINISH			DRAWING NO 650995
CONTACT: 4, 9			SCALE 4:1
			SHEET 1 OF 1