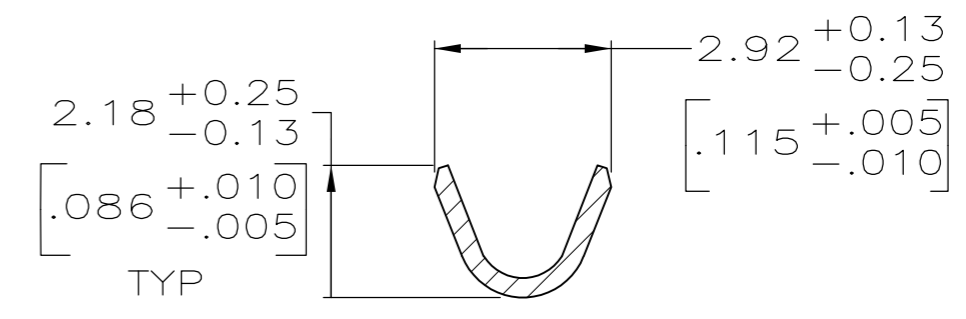
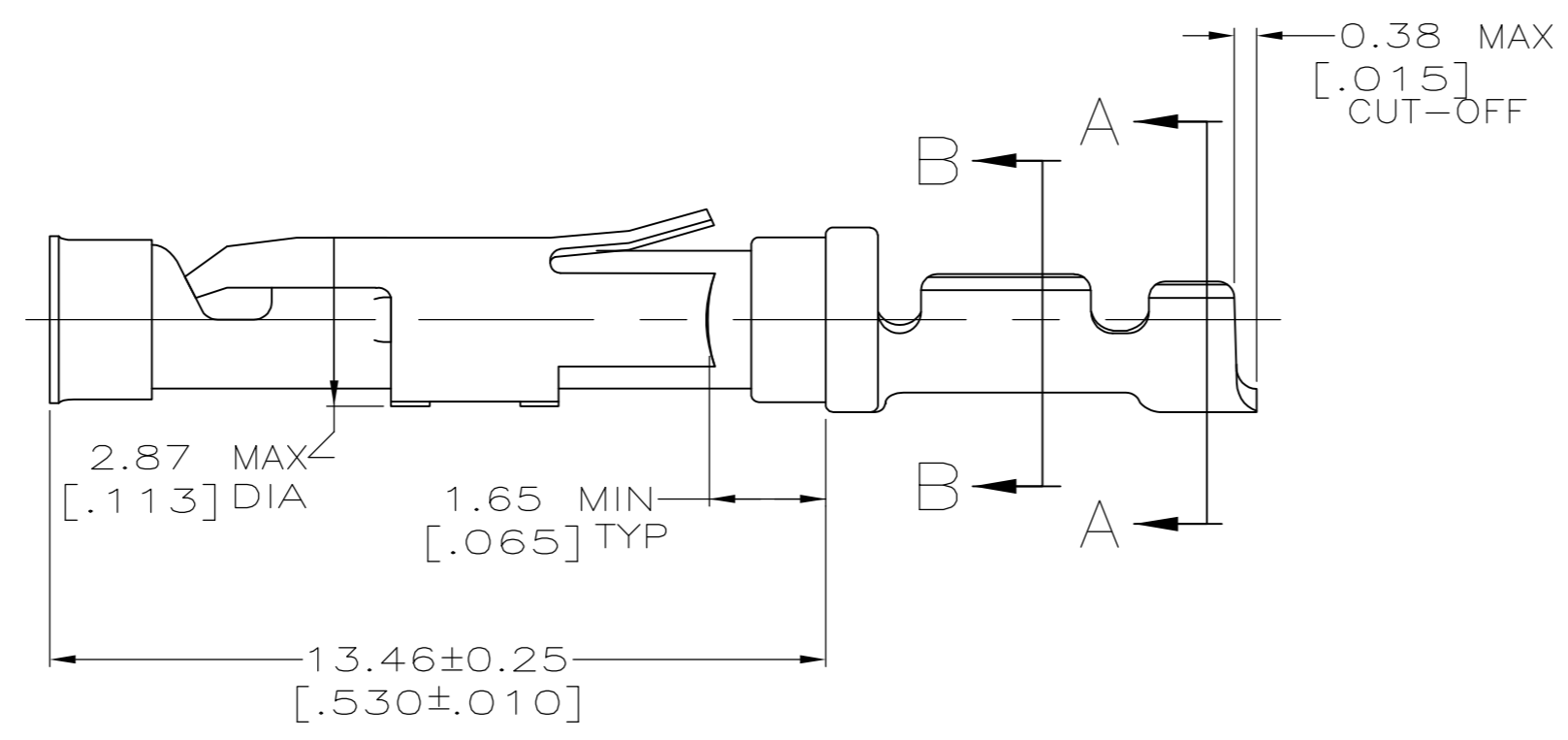
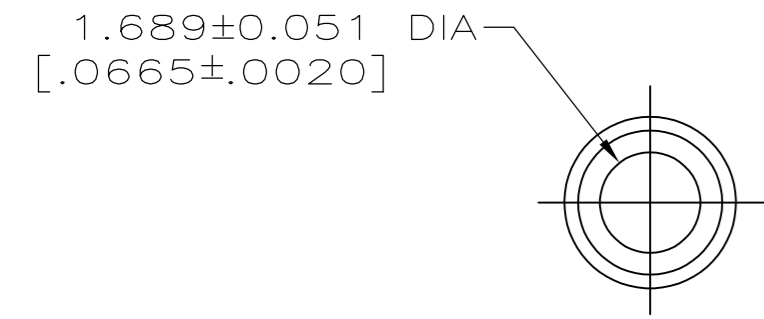
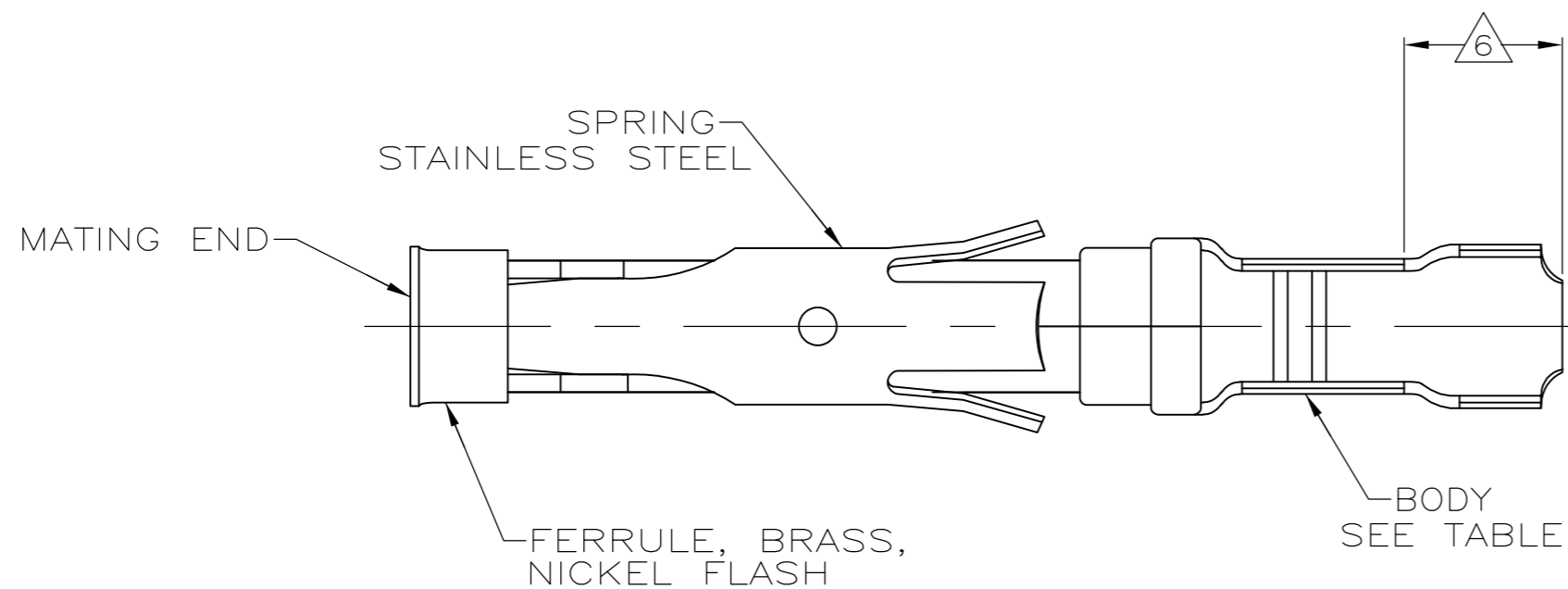
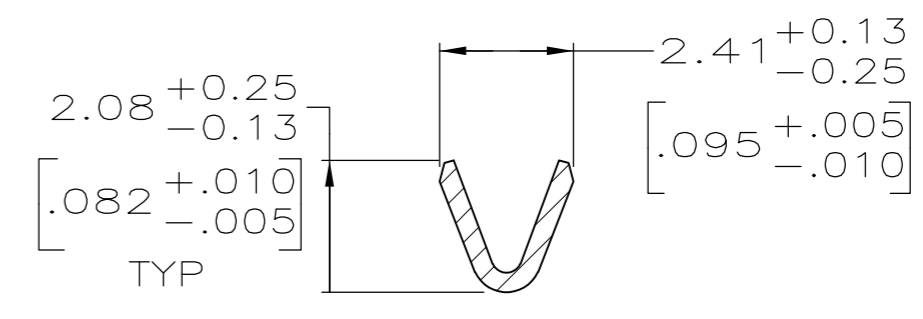


THIS DRAWING IS UNPUBLISHED. RELEASED FOR PUBLICATION
 © COPYRIGHT BY TYCO ELECTRONICS CORPORATION. ALL RIGHTS RESERVED.

LOC	DIST	REVISIONS					
FT	47	P	LTR	DESCRIPTION	DATE	DWN	APVD
		H		0B3B-0344-03	20APR03	TK	GS
		H1		REVISED PER ECO-09-021826	26AUG09	KK	AEG



SECTION A-A



SECTION B-B

- ① 0.76µm [.000030] MIN GOLD PER MIL-G-45204 ON MATING END FOR A LENGTH OF 5.08 [.200] MIN WITH GOLD FLASH ON THE REMAINDER OVER 0.76µm [.000030] MIN NICKEL PER QQ-N-290.
- ② 1.27µm [.000050] MIN TIN-LEAD PER MIL-T-10727 OVER 0.76µm [.000030] MIN NICKEL PER QQ-N-290.
- ③ 0.76µm [.000030] MIN GOLD PER MIL-G-45204 ON MATING END FOR A LENGTH OF 5.08 [.200] MIN WITH A UNIFORM GRADIENT TO 0.25µm [.000010] MIN GOLD PER MIL-G-45204 ON THE REMAINDER OVER 0.76µm [.000030] NICKEL PER QQ-N-290.
- ④ 0.38µm [.000015] MIN GOLD PER MIL-G-45204 ON MATING END FOR A LENGTH OF 5.08 [.200] MIN WITH GOLD FLASH ON THE REMAINDER OVER 0.76µm [.000030] MIN NICKEL PER QQ-N-290.
- ⑤ 1.27µm [.000050] MIN GOLD PER MIL-G-45204 ON MATING END FOR A LENGTH OF 5.08 [.200] MIN WITH GOLD FLASH ON REMAINDER OVER 1.90µm [.000075] MIN NICKEL PER QQ-N-290.
- ⑥ GOLD PLATING NOT REQUIRED IN THIS AREA.
- ⑦ WIRE RANGE 24-20 AWG. INSULATION RANGE 1.02[.040]-2.03[.080].
- ⑧ 0.38µm [.000015] MIN GOLD PER MIL-G-45204 ON MATING END FOR A LENGTH OF 5.08 [.200] MIN, 1.27µm [.000050] MIN TIN-LEAD PER MIL-T-10727 FOR A LENGTH OF 5.69 [.224] MIN ON OPPOSITE END, BOTH OVER 1.27µm [.000050] MIN NICKEL PER QQ-N-290 ON ENTIRE CONTACT.
- ⑨ 1.27µm [.000050] MIN TIN PER MIL-T-10727 OVER 0.76µm [.000030] MIN NICKEL PER QQ-N-290.
- ⑩ OBSOLETE PARTS: OBSOLETE CIS STREAMLINING PER D.RENAUD/D.SINISI

	SMALL PACK	⑨	BRASS	1-66105-9	2-66105-0
	STNDARD	⑨	BRASS	3-66104-0	1-66105-9
	SMALL PACK	①	BRASS	66104-4	1-66105-8
⑩ OBSOLETE	SMALL PACK	④	BRASS	66104-3	1-66105-7
	SMALL PACK	②	BRASS	66104-2	1-66105-6
	SMALL PACK	③	BRASS	66104-1	1-66105-5
OBSOLETE	STANDARD	⑧	BRASS	2-66104-6	1-66105-4
OBSOLETE	STANDARD	①	PHOSPHOR BRONZE	2-66104-3	1-66105-3
OBSOLETE	STANDARD	②	PHOSPHOR BRONZE	2-66104-2	1-66105-2
OBSOLETE	STANDARD	⑤	BRASS	1-66104-6	1-66105-0
	STANDARD	①	BRASS	66104-4	66105-4
	STANDARD	④	BRASS	66104-3	66105-3
	STANDARD	②	BRASS	66104-2	66105-2
	STANDARD	③	BRASS	66104-1	66105-1
	PACKAGING TYPE	BODY FINISH	BODY MATERIAL	STRIP P/N REF	PART NO

THIS DRAWING IS A CONTROLLED DOCUMENT.

DWN	L.SIPE	06/01/92	Tyco Electronics Corporation City, State, Zip		
CHK	W.LENKER	6-11-92			
APVD	G.STEINHAUER	7-8-92			
PRODUCT SPEC					
APPLICATION SPEC			NAME		
			SOCKET ASSEMBLY, LOOSE PIECE, TYPE III+		
MATERIAL	SEE CALLOUTS	FINISH	SEE CALLOUTS	WEIGHT	-
			SIZE	CAGE CODE	DRAWING NO
			A2	00779	C=66105
			CUSTOMER DRAWING	SCALE	8:1
			SHEET	1	OF 1
			REV	H1	