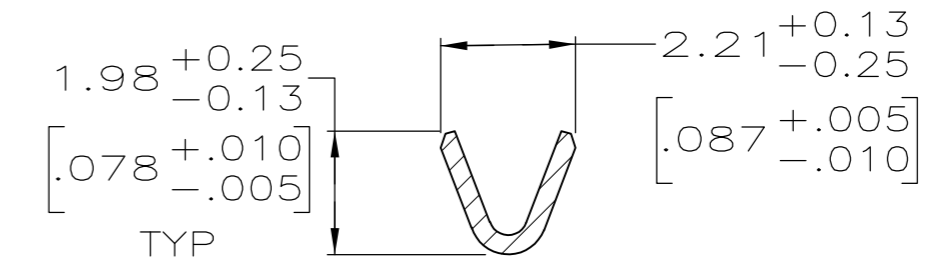
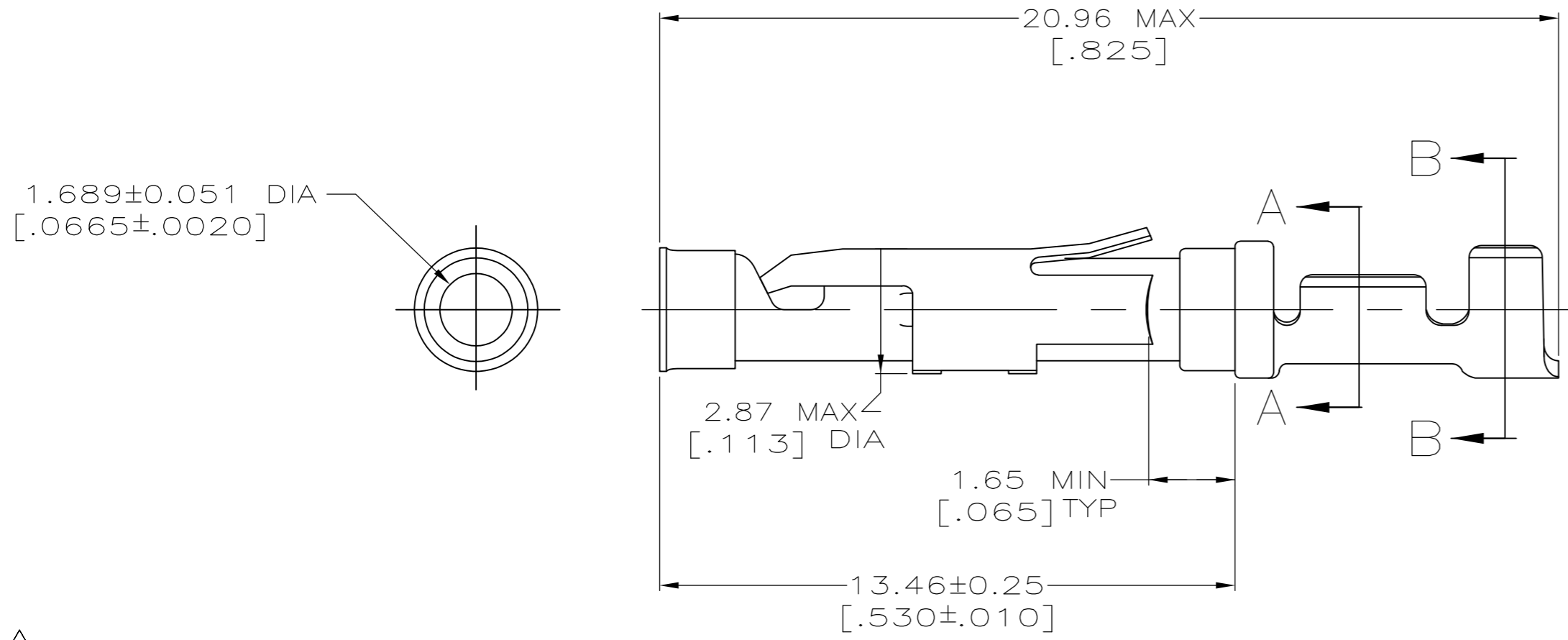
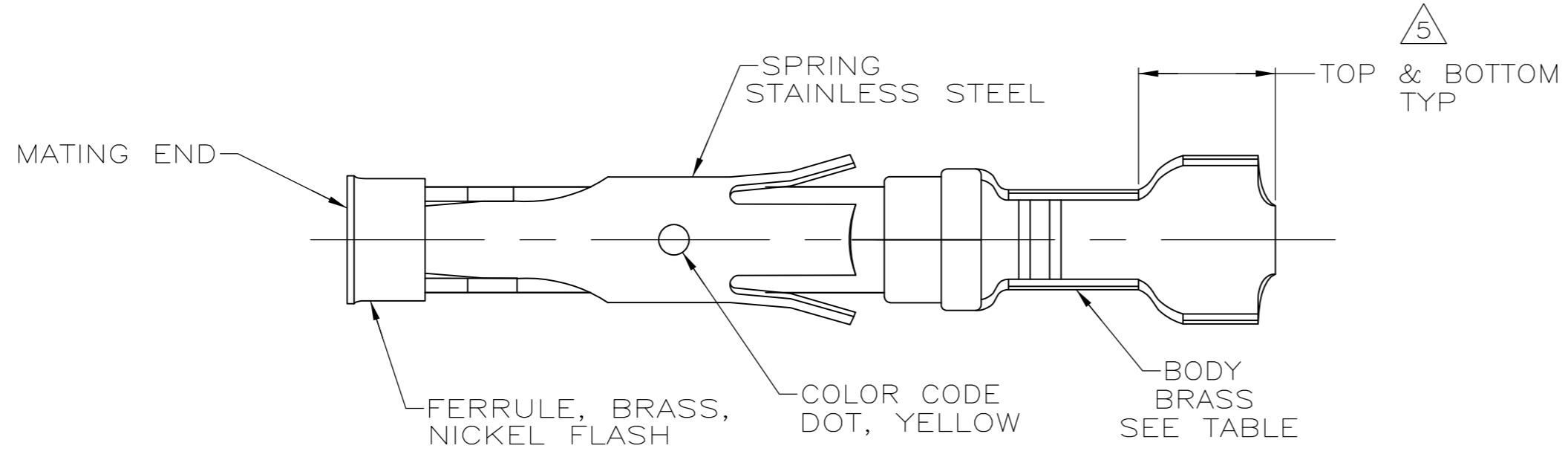
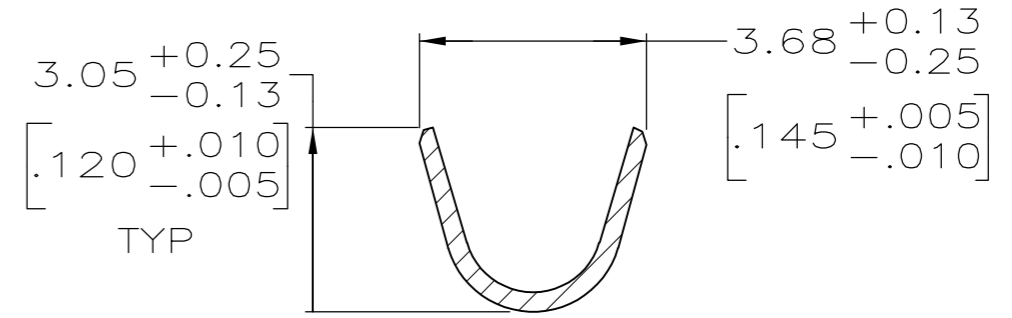


THIS DRAWING IS UNPUBLISHED. RELEASED FOR PUBLICATION
 © COPYRIGHT BY TYCO ELECTRONICS CORPORATION. ALL RIGHTS RESERVED.

LOC	DIST	REVISIONS			
P	LTR	DESCRIPTION	DATE	DWN	APVD
FT	47	N	0G3B-0344-03	29APR03	TK GS
		N1	REVISED PER ECO-09-021826	6JAN10	KK AEG



SECTION A-A



SECTION B-B

- ① 0.76µm [.000030] MIN GOLD PER MIL-G-45204 ON MATING END FOR A LENGTH OF 5.08 [.200] MIN WITH GOLD FLASH ON THE REMAINDER OVER 0.76µm [.000030] MIN NICKEL PER QQ-N-290.
- ② 0.76µm [.000030] MIN GOLD PER MIL-G-45204 ON MATING END FOR A LENGTH OF 5.08 [.200] MIN WITH A UNIFORM GRADIENT TO 0.25µm [.000010] MIN GOLD PER MIL-G-45204 ON THE REMAINDER OVER 0.76µm [.000030] MIN NICKEL PER QQ-N-290.
- ③ 0.38µm [.000015] MIN GOLD PER MIL-G-45204 ON MATING END FOR A LENGTH OF 5.08 [.200] MIN WITH GOLD FLASH ON THE REMAINDER OVER 0.76µm [.000030] MIN NICKEL PER QQ-N-290.
- ④ 1.27µm [.000050] MIN TIN-LEAD PER MIL-T-10727 OVER 0.76µm [.000030] MIN NICKEL PER QQ-N-290.
- ⑤ GOLD PLATING NEED NOT APPEAR IN THIS AREA.
- ⑥ WIRE RANGE 24-20 AWG. INSULATION RANGE 2.03[.080]-2.54[.100].
- ⑦ 0.38µm [.000015] MIN GOLD PER MIL-G-45204 ON MATING END FOR A LENGTH OF 5.08 [.200] MIN, 1.27µm [.000050] MIN TIN-LEAD PER MIL-T-10727 FOR A LENGTH OF 5.69 [.224] MIN ON OPPOSITE END, BOTH OVER 1.27µm [.000050] MIN NICKEL PER QQ-N-290 ON ENTIRE CONTACT.
- ⑧ 1.27µm [.000050] MIN TIN PER MIL-T-10727 OVER 0.76µm [.000030] MIN NICKEL PER QQ-N-290.
- ⑨ OBSOLETE PARTS: OBSOLETE CIS STREAMLINING PER D.RENAUD/D.SINISI

PACKAGING TYPE	BODY FINISH	STRIP P/N REF	PART NO
SMALL PACK	⑧	1-66399-0	1-66399-1
STANDARD	⑧	1-66331-4	1-66399-0
SMALL PACK	①	66331-4	66399-9
SMALL PACK	③	66331-7	66399-8
SMALL PACK	②	66331-2	66399-7
SMALL PACK	④	66331-1	66399-6
STANDARD	⑦	1-66331-2	66399-5
STANDARD	①	66331-4	66399-4
STANDARD	③	66331-7	66399-3
STANDARD	②	66331-2	66399-2
STANDARD	④	66331-1	66399-1

THIS DRAWING IS A CONTROLLED DOCUMENT.

DWN	R.SHIREY	7-30-91
CHK	R.STONE	9-19-91
APVD	J.ESTMAN	9-20-91

Tyco Electronics Corporation
City, State, Zip

NAME: SOCKET ASSEMBLY, LOOSE PIECE, TYPE III+

SIZE	A2	CAGE CODE	00779	DRAWING NO	C=66399	RESTRICTED TO	-
SCALE	8:1	SHEET	1	OF	1	REV	N1

MATERIAL: SEE CALLOUTS
FINISH: SEE CALLOUTS
WEIGHT: -
CUSTOMER DRAWING