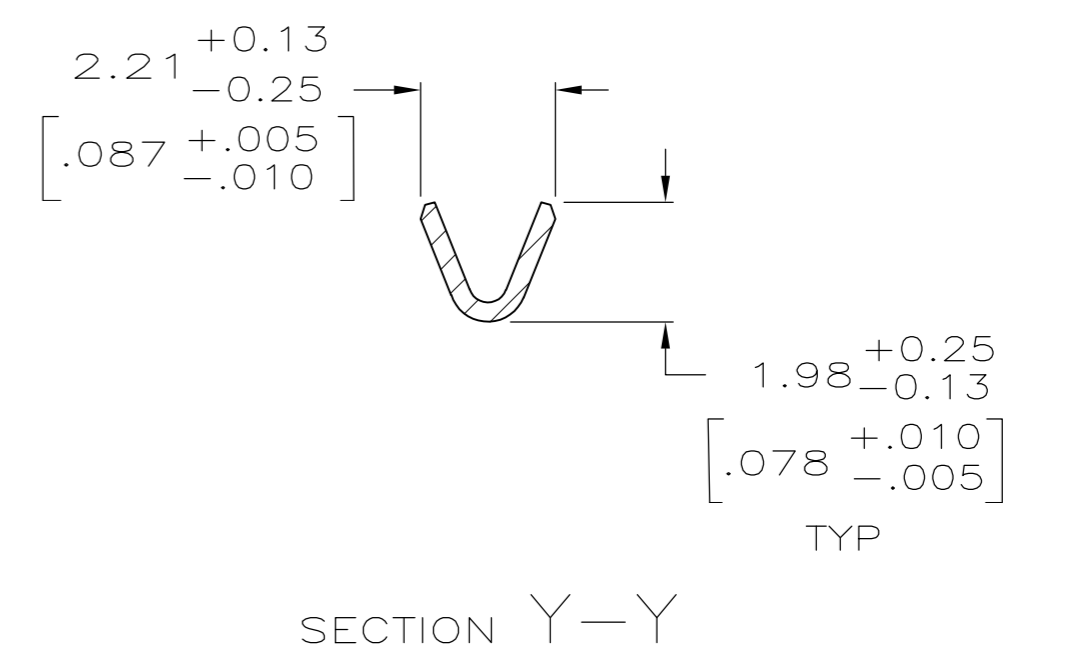
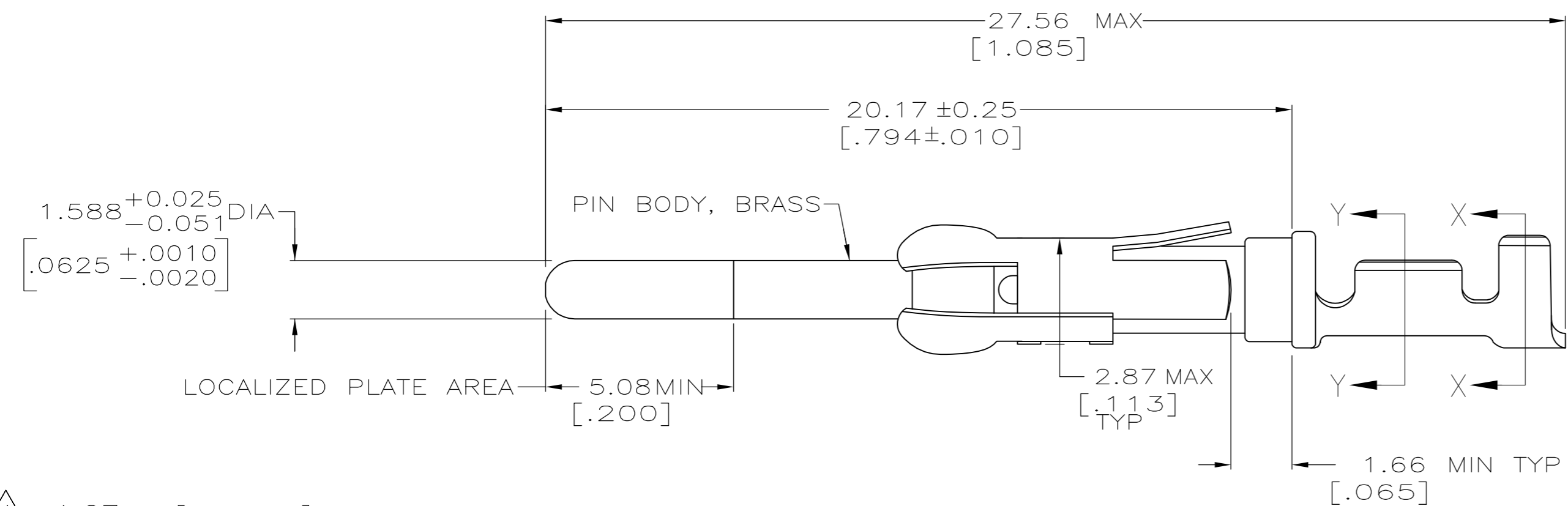
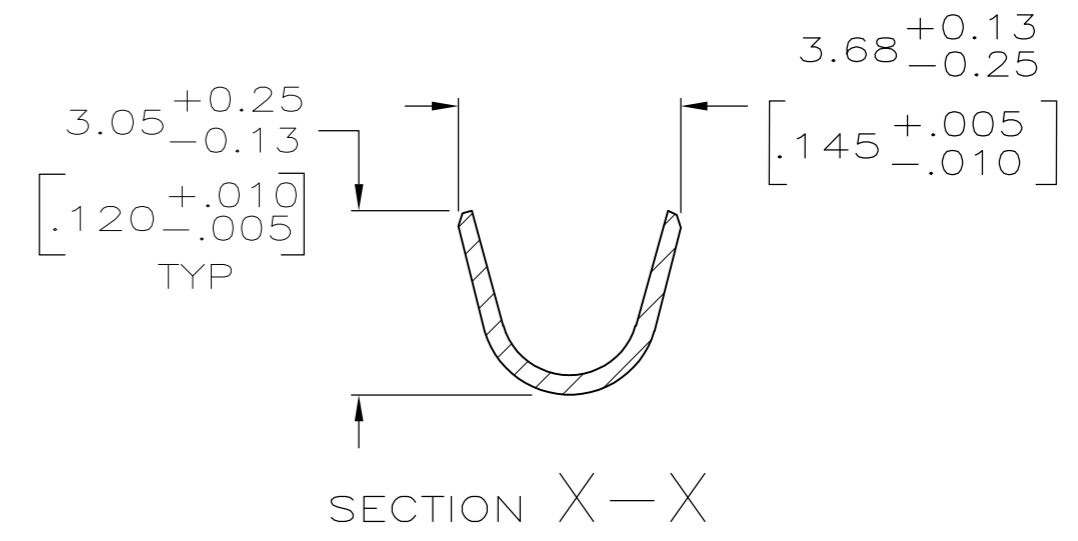
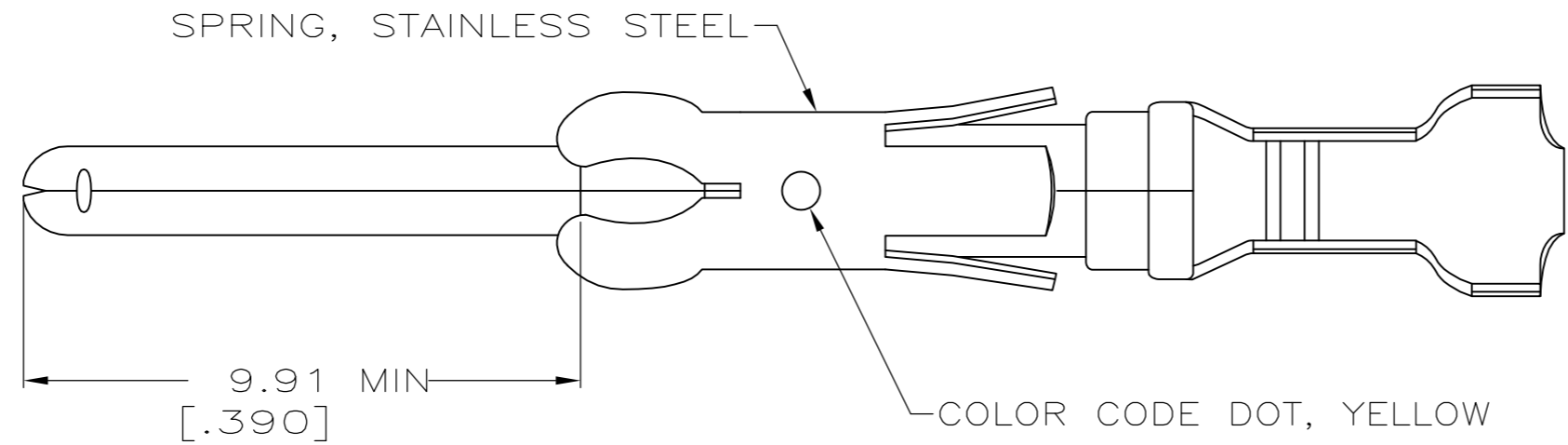


THIS DRAWING IS UNPUBLISHED. RELEASED FOR PUBLICATION
 © COPYRIGHT BY TYCO ELECTRONICS CORPORATION. ALL INTERNATIONAL RIGHTS RESERVED.

| LOC | | DIST | | REVISIONS | | | |
|-----|-----|-------------|---------------------------|-----------|------|----|--|
| P | LTR | DESCRIPTION | DATE | DWN | APVD | | |
| FT | 0 | S | REVISED PER ECR 10-012675 | 13SEPT10 | JR | SH | |



- 1 1.27μm [.000050] MIN TIN-LEAD OVER
1.27μm [.000050] MIN NICKEL.
- 2 0.76μm [.000030] MIN PRECIOUS METAL PLATE ON MATING END FOR A LENGTH OF 5.08 [.200] MIN OVER 1.27μm [.000050] MIN NICKEL PLATE. GOLD FLASH ALL OVER. CONFORMS TO THE REQUIREMENTS OF TYCO ELECTRONICS PRODUCT SPEC 108-10042, BASED ON EIA/ECA-364-1000.01A (CONTROLLED ENVIRONMENT APPLICATIONS).
- 3 0.76μm [.000030] MIN PRECIOUS METAL PLATE ON MATING END FOR A LENGTH OF 5.08 [.200] MIN WITH A UNIFORM GRADIENT TO 0.25μm [.000010] ON REMAINDER, OVER 1.27μm [.000050] MIN NICKEL PLATE. GOLD FLASH ALL OVER. CONFORMS TO THE REQUIREMENTS OF TYCO ELECTRONICS PRODUCT SPEC 108-10042, BASED ON EIA/ECA-364-1000.01A (CONTROLLED ENVIRONMENT APPLICATIONS).
- 4 0.38μm [.000015] MIN GOLD IN LOCALIZED PLATE AREA, GOLD FLASH ON THE REMAINDER ALL OVER 1.27μm [.000050] NICKEL.
- 5. WIRE RANGE 24-20 AWG.
- 6. INSULATION RANGE 2.03 [.080]-2.54 [.100] DIA.
- 7 0.38μm [.000015] MIN GOLD PER MIL-G-45204 ON LOCALIZED GOLD PLATE AREA, 1.27μm [.000050] MIN TIN-LEAD PER MIL-T-10727 FOR A LENGTH OF 5.69 [.224] MIN ON OPPOSITE END, BOTH OVER 1.27μm [.000050] MIN NICKEL PER QQ-N-290 ON ENTIRE CONTACT.
- 8 1.27μm [.000050] MIN TIN OVER
1.27μm [.000050] MIN NICKEL.
- 9 OBSOLETE PARTS: OBSOLETE CIS STREAMLINING PER D.RENAUD/D.SINISI

| PACKAGING TYPE | FINISH | STRIP P/N REF | PART NO |
|--------------------------------|--------|---------------|--------------------|
| SMALL PACK | 8 | 1-66332-4 | 1-66400-1 |
| STANDARD | 8 | 1-66332-4 | 1-66400-0 |
| SMALL PACK | 3 | 66332-4 | 66400-9 |
| OBSOLETE SMALL PACK | 4 | 66332-3 | 66400-8 |
| OBSOLETE SMALL PACK | 2 | 66332-6 | 66400-7 |
| SMALL PACK | 1 | 66332-1 | 66400-6 |
| OBSOLETE STANDARD | 7 | 1-66332-2 | 66400-5 |
| STANDARD | 3 | 66332-4 | 66400-4 |
| STANDARD | 4 | 66332-3 | 66400-3 |
| STANDARD | 2 | 66332-6 | 66400-2 |
| STANDARD | 1 | 66332-1 | 66400-1 |

THIS DRAWING IS A CONTROLLED DOCUMENT.

| | | | |
|----------------------------|---|---------------|--------------------------------------|
| DWN H MOLL 9-27-90 | Tyco Electronics Corporation Harrisburg, PA 17105-3608 | | |
| CHK J.MCCLINTON 12-15-90 | | | |
| APVD A.BOULLIANNE 12-10-90 | | | |
| PRODUCT SPEC | | | |
| DIMENSIONS: MM [INCHES] | TOLERANCES UNLESS OTHERWISE SPECIFIED: | NAME | PIN ASSEMBLY, LOOSE PIECE, TYPE III+ |
| 0 PLC ± - | 1 PLC ± - | SIZE | A2 |
| 2 PLC ± 0.13 [.005] | 3 PLC ± - | CAGE CODE | 00779 |
| 4 PLC ± - | ANGLES ± - | DRAWING NO | C=66400 |
| MATERIAL SEE CALL OUT | FINISH PIN BODY: SEE TABLE | RESTRICTED TO | - |
| CUSTOMER DRAWING | | SCALE | 8:1 |
| | | SHEET | 1 of 1 |
| | | REV | S |