

THIS DRAWING IS UNPUBLISHED. RELEASED FOR PUBLICATION
 © COPYRIGHT BY TYCO ELECTRONICS CORPORATION. ALL RIGHTS RESERVED.

LOC	DIST	REVISIONS					
		P	LTR	DESCRIPTION	DATE	DWN	APVD
AD	39		U1	ECO-06-15268	24JAN07	MB	DR
			U2	REVISED PER ECO-09-021826	21AUG09	KK	AEG

SUPERSEDED BY 3-87499-4	△	-	45.85 [1.805]	20.32 [.800]	22.86 [.900]	18	8-87499-9
SUPERSEDED BY 3-87499-2	△	-	43.31 [1.705]	20.32 [.800]	20.32 [.800]	17	8-87499-8
SUPERSEDED BY 3-87499-0	△	-	40.77 [1.605]	17.78 [.700]	20.32 [.800]	16	8-87499-7
SUPERSEDED BY 2-87499-8	△	-	38.23 [1.505]	17.78 [.700]	17.78 [.700]	15	8-87499-6
SUPERSEDED BY 2-87499-6	△	-	35.69 [1.405]	15.24 [.600]	17.78 [.700]	14	8-87499-5
SUPERSEDED BY 2-87499-4	△	-	33.15 [1.305]	15.24 [.600]	15.24 [.600]	13	8-87499-4
SUPERSEDED BY 2-87499-2	△	-	30.61 [1.205]	12.70 [.500]	15.24 [.600]	12	8-87499-3
SUPERSEDED BY 2-87499-0	△	-	28.07 [1.105]	12.70 [.500]	12.70 [.500]	11	8-87499-2
SUPERSEDED BY 1-87499-8	△	-	25.53 [1.005]	10.16 [.400]	12.70 [.500]	10	8-87499-1
SUPERSEDED BY 1-87499-6	△	-	22.99 [.905]	10.16 [.400]	10.16 [.400]	9	8-87499-0
OBSOLETE	△	-	20.45 [.805]	7.62 [.300]	10.16 [.400]	8	7-87499-9
SUPERSEDED BY 87499-2	△	-	17.91 [.705]	7.62 [.300]	7.62 [.300]	7	7-87499-8
SUPERSEDED BY 1-87499-2	△	-	15.37 [.605]	5.08 [.200]	7.62 [.300]	6	7-87499-7
SUPERSEDED BY 1-87499-0	△	-	12.83 [.505]	5.08 [.200]	5.08 [.200]	5	7-87499-6
SUPERSEDED BY 87499-8	△	-	10.29 [.405]	2.54 [.100]	5.08 [.200]	4	7-87499-5
SUPERSEDED BY 87499-6	△	-	7.75 [.305]	2.54 [.100]	2.54 [.100]	3	7-87499-4
SUPERSEDED BY 87499-4	△	-	5.21 [.205]	-	2.54 [.100]	2	7-87499-3
		-	2.67 [.105]	-	-	1	7-87499-2
SUPERSEDED BY 7-87499-2		ALL	2.67 [.105]	-	-	1	7-87499-1
		-	91.57 [3.605]	43.18 [1.700]	45.72 [1.800]	36	7-87499-0
OBSOLETE	△	ALL	91.57 [3.605]	43.18 [1.700]	45.72 [1.800]	36	6-87499-9
OBSOLETE	△	-	89.03 [3.505]	43.18 [1.700]	43.18 [1.700]	35	6-87499-8
OBSOLETE	△	ALL	89.03 [3.505]	43.18 [1.700]	43.18 [1.700]	35	6-87499-7
OBSOLETE	△	-	86.49 [3.405]	40.64 [1.600]	43.18 [1.700]	34	6-87499-6
OBSOLETE	△	ALL	86.49 [3.405]	40.64 [1.600]	43.18 [1.700]	34	6-87499-5
OBSOLETE	△	-	83.95 [3.305]	40.64 [1.600]	40.64 [1.600]	33	6-87499-4
OBSOLETE	△	ALL	83.95 [3.305]	40.64 [1.600]	40.64 [1.600]	33	6-87499-3
OBSOLETE	△	-	81.41 [3.205]	38.10 [1.500]	40.64 [1.600]	32	6-87499-2
OBSOLETE	△	ALL	81.41 [3.205]	38.10 [1.500]	40.64 [1.600]	32	6-87499-1
OBSOLETE	△	-	78.87 [3.105]	38.10 [1.500]	38.10 [1.500]	31	6-87499-0
OBSOLETE	△	ALL	78.87 [3.105]	38.10 [1.500]	38.10 [1.500]	31	5-87499-9
		-	76.33 [3.005]	35.56 [1.400]	38.10 [1.500]	30	5-87499-8
OBSOLETE	△	ALL	76.33 [3.005]	35.56 [1.400]	38.10 [1.500]	30	5-87499-7
OBSOLETE	△	-	73.79 [2.905]	35.56 [1.400]	35.56 [1.400]	29	5-87499-6
OBSOLETE	△	ALL	73.79 [2.905]	35.56 [1.400]	35.56 [1.400]	29	5-87499-5
		-	71.25 [2.805]	33.02 [1.300]	35.56 [1.400]	28	5-87499-4
OBSOLETE	△	ALL	71.25 [2.805]	33.02 [1.300]	35.56 [1.400]	28	5-87499-3
OBSOLETE	△	-	68.71 [2.705]	33.02 [1.300]	33.02 [1.300]	27	5-87499-2
OBSOLETE	△	ALL	68.71 [2.705]	33.02 [1.300]	33.02 [1.300]	27	5-87499-1
OBSOLETE	△	-	66.17 [2.605]	30.48 [1.200]	33.02 [1.300]	26	5-87499-0
OBSOLETE	△	ALL	66.17 [2.605]	30.48 [1.200]	33.02 [1.300]	26	4-87499-9
OBSOLETE	△	-	63.63 [2.505]	30.48 [1.200]	30.48 [1.200]	25	4-87499-8

OBSOLETE	△	ALL	63.63 [2.505]	30.48 [1.200]	30.48 [1.200]	25	4-87499-7
OBSOLETE	△	-	61.09 [2.405]	27.94 [1.100]	30.48 [1.200]	24	4-87499-6
OBSOLETE	△	ALL	61.09 [2.405]	27.94 [1.100]	30.48 [1.200]	24	4-87499-5
OBSOLETE	△	-	58.55 [2.305]	27.94 [1.100]	27.94 [1.100]	23	4-87499-4
OBSOLETE	△	ALL	58.55 [2.305]	27.94 [1.100]	27.94 [1.100]	23	4-87499-3
		-	56.01 [2.205]	25.40 [1.000]	27.94 [1.100]	22	4-87499-2
SUPERSEDED BY 4-87499-2		ALL	56.01 [2.205]	25.40 [1.000]	27.94 [1.100]	22	4-87499-1
		-	53.47 [2.105]	25.40 [1.000]	25.40 [1.000]	21	4-87499-0
OBSOLETE	△	ALL	53.47 [2.105]	25.40 [1.000]	25.40 [1.000]	21	3-87499-9
		-	50.93 [2.005]	22.86 [.900]	25.40 [1.000]	20	3-87499-8
		ALL	50.93 [2.005]	22.86 [.900]	25.40 [1.000]	20	3-87499-7
OBSOLETE	△	-	48.39 [1.905]	22.86 [.900]	22.86 [.900]	19	3-87499-6
OBSOLETE	△	ALL	48.39 [1.905]	22.86 [.900]	22.86 [.900]	19	3-87499-5
		-	45.85 [1.805]	20.32 [.800]	22.86 [.900]	18	3-87499-4
SUPERSEDED BY 3-87499-4		ALL	45.85 [1.805]	20.32 [.800]	22.86 [.900]	18	3-87499-3
		-	43.31 [1.705]	20.32 [.800]	20.32 [.800]	17	3-87499-2
OBSOLETE	△	ALL	43.31 [1.705]	20.32 [.800]	20.32 [.800]	17	3-87499-1
		-	40.77 [1.605]	17.78 [.700]	20.32 [.800]	16	3-87499-0
		ALL	40.77 [1.605]	17.78 [.700]	20.32 [.800]	16	2-87499-9
		-	38.23 [1.505]	17.78 [.700]	17.78 [.700]	15	2-87499-8
		ALL	38.23 [1.505]	17.78 [.700]	17.78 [.700]	15	2-87499-7
		-	35.69 [1.405]	15.24 [.600]	17.78 [.700]	14	2-87499-6
		ALL	35.69 [1.405]	15.24 [.600]	17.78 [.700]	14	2-87499-5
		-	33.15 [1.305]	15.24 [.600]	15.24 [.600]	13	2-87499-4
		ALL	33.15 [1.305]	15.24 [.600]	15.24 [.600]	13	2-87499-3
		-	30.61 [1.205]	12.70 [.500]	15.24 [.600]	12	2-87499-2
		ALL	30.61 [1.205]	12.70 [.500]	15.24 [.600]	12	2-87499-1
		-	28.07 [1.105]	12.70 [.500]	12.70 [.500]	11	2-87499-0
		ALL	28.07 [1.105]	12.70 [.500]	12.70 [.500]	11	1-87499-9
		-	25.53 [1.005]	10.16 [.400]	12.70 [.500]	10	1-87499-8
		ALL	25.53 [1.005]	10.16 [.400]	12.70 [.500]	10	1-87499-7
		-	22.99 [.905]	10.16 [.400]	10.16 [.400]	9	1-87499-6
		ALL	22.99 [.905]	10.16 [.400]	10.16 [.400]	9	1-87499-5
		-	20.45 [.805]	7.62 [.300]	10.16 [.400]	8	1-87499-4
		ALL	20.45 [.805]	7.62 [.300]	10.16 [.400]	8	1-87499-3
		-	15.37 [.605]	5.08 [.200]	7.62 [.300]	6	1-87499-2
		ALL	15.37 [.605]	5.08 [.200]	7.62 [.300]	6	1-87499-1
		-	12.83 [.505]	5.08 [.200]	5.08 [.200]	5	1-87499-0
		ALL	12.83 [.505]	5.08 [.200]	5.08 [.200]	5	87499-9
		-	10.29 [.405]	2.54 [.100]	5.08 [.200]	4	87499-8
		ALL	10.29 [.405]	2.54 [.100]	5.08 [.200]	4	87499-7
		-	7.75 [.305]	2.54 [.100]	2.54 [.100]	3	87499-6
		ALL	7.75 [.305]	2.54 [.100]	2.54 [.100]	3	87499-5
		-	5.21 [.205]	-	2.54 [.100]	2	87499-4
		ALL	5.21 [.205]	-	2.54 [.100]	2	87499-3
		-	17.91 [.705]	7.62 [.300]	7.62 [.300]	7	87499-2
		ALL	17.91 [.705]	7.62 [.300]	7.62 [.300]	7	87499-1

NOTES	MARKING	C	B	A	NO OF POSN	PART NUMBER
-------	---------	---	---	---	------------	-------------

MARKING	C	B	A	NO OF POSN	PART NUMBER
---------	---	---	---	------------	-------------

THIS DRAWING IS A CONTROLLED DOCUMENT.

DWN E. BRANDBERG 21-JUN-95
 CHK S. SHUEY 21-JUN-95
 APVD D. DUPLER 21-JUN-95

Tyco Electronics Corporation
 Harrisburg, PA 17105-3608

NAME HOUSING, MOD IV, SINGLE ROW, .100 CL, CRIMP SNAP-IN

PRODUCT SPEC -
 APPLICATION SPEC -

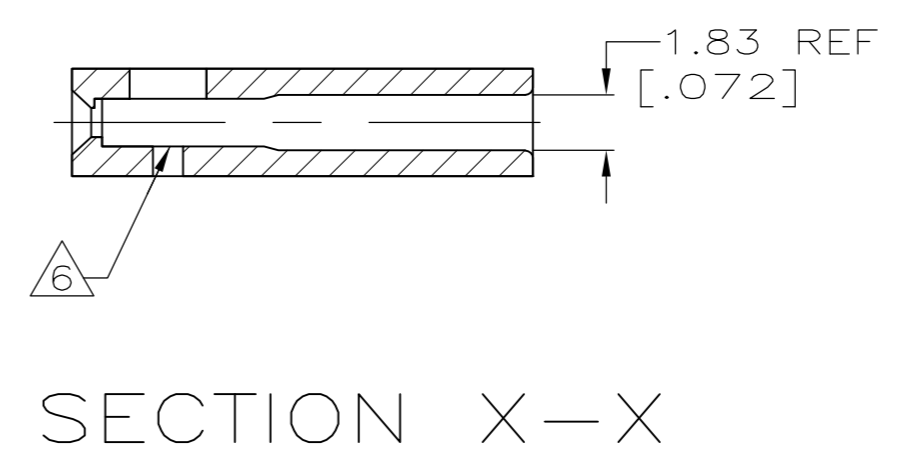
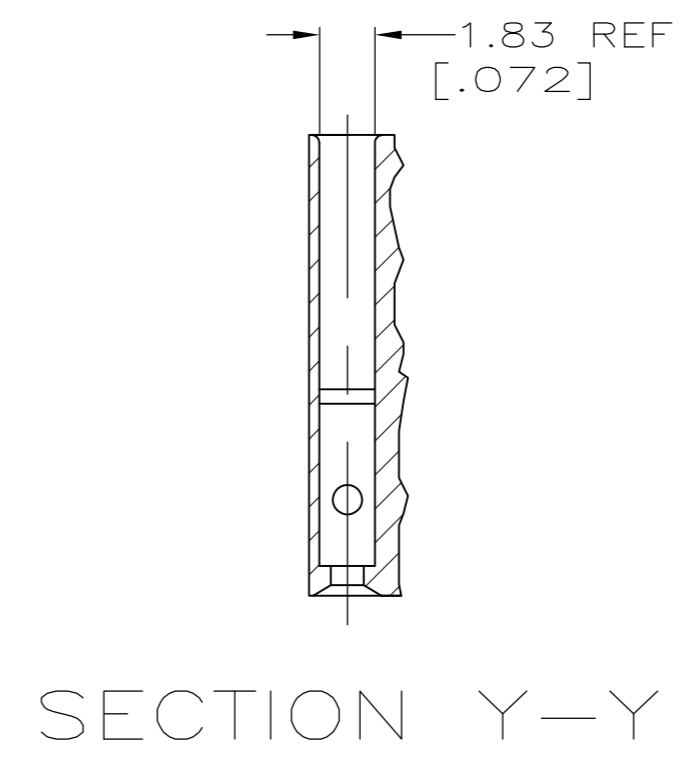
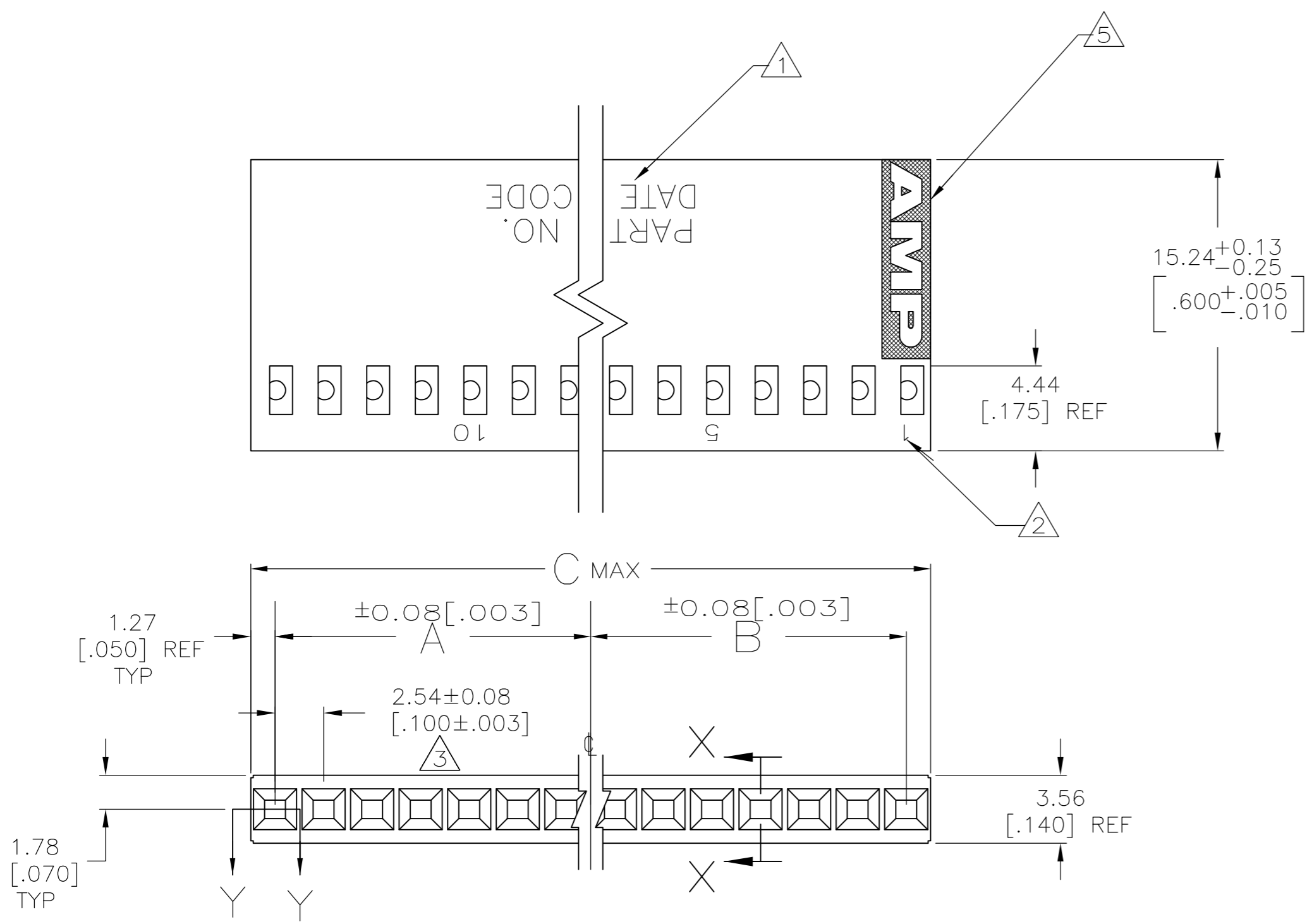
SIZE A2 CAGE CODE 00779 DRAWING NO C=87499 RESTRICTED TO -

MATERIAL FLAME RETARDANT FINISH - WEIGHT - SCALE 4:1 SHEET 1 OF 2 REV U2

CUSTOMER DRAWING

THIS DRAWING IS UNPUBLISHED. RELEASED FOR PUBLICATION
 © COPYRIGHT BY TYCO ELECTRONICS CORPORATION. ALL RIGHTS RESERVED.

LOC	DIST	REVISIONS			
P	LTR	DESCRIPTION	DATE	DWN	APVD
AD	39	SEE SHEET 1			



- ① PART NO & DATE CODE MARKED (WHITE), .062±.015 HIGH CHARS. IN APPROX. AREA SHOWN WHEN HOUSING SIZE PERMITS.
- ② CAVITY IDENT. MARKED (WHITE), .046±.015 HIGH CHARS., FIRST & EVERY FIFTH CAVITY, ONE SIDE AS SHOWN.
- ③ TOLERANCE NON-CUMULATIVE.
- 4. USE EXTRACTION TOOL 91052-1 TO REMOVE RECEPTACLE CONTACTS.
- ⑤ AMP LOGO MOLDED IN TEXTURED AREA AS SHOWN.
- ⑥ FLASH ALLOWED TO BE .015 IN THIS AREA.
- ⑦ OBSOLETE PARTS: OBSOLETE CIS STREAMLINING PER D.RENAUD/D.SINISI

THIS DRAWING IS A CONTROLLED DOCUMENT.		DWN E. BRANDBERG 21-JUN-95	Tyco Electronics Corporation Harrisburg, PA 17105-3608	
DIMENSIONS: mm		CHK S. SHUEY 21-JUN-95	NAME HOUSING, MOD IV, SINGLE ROW, .100 CL, CRIMP SNAP-IN	
TOLERANCES UNLESS OTHERWISE SPECIFIED:		APVD D. DUPLER 21-JUN-95	SIZE A2	CAGE CODE 00779
0 PLC ± -		PRODUCT SPEC	DRAWING NO C=87499	RESTRICTED TO
1 PLC ± -		APPLICATION SPEC	SCALE 4:1	SHEET 2 OF 2
2 PLC ± 0.13 [.005]		WEIGHT -	REV U2	
3 PLC ± -		CUSTOMER DRAWING		
4 PLC ± -				
ANGLES ± -				
FINISH FLAME RETARDANT				