

"Classic" Plate (700 Series)

Power



"CLASSIC" ENCLOSED PLATE TRANSFORMERS

- Primary 115 VAC, 50/60 Hz.
- At 1,000 VAC and above, secondary leads are through rubber bushings (figure B).
- Units can be run full wave bridge or full wave C.T.
- Enclosed, 4 hole chassis mount.
- Minimum 6" long leads.
- Class A insulation (105 degrees C).
- Hi-Pot test at a minimum of twice secondary voltage
- Conservative designs - CSA certified (# LR3902).

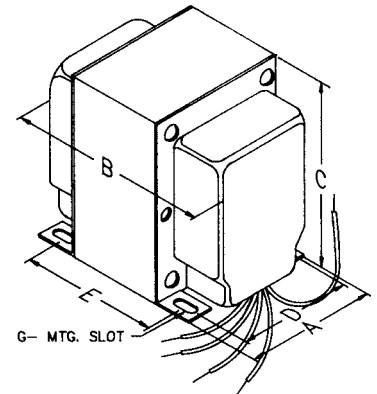


Fig. A

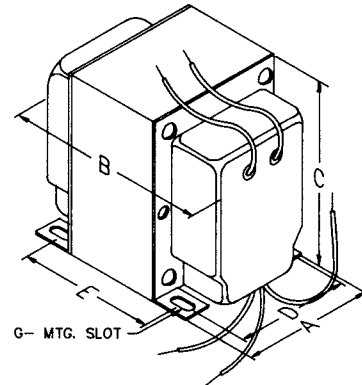
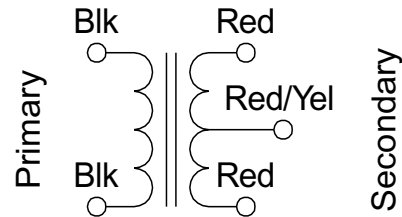


Fig. B

Transformer Schematic



Part No.	VA	Secondary R.M.S.	After F.W.C.T. Rectification (Choke Input)			Dwg. Type	Dimensions (Inches)					Wt. Lb.
			DC Volts Choke Input	DC ma. CCS	DC ma. ICAS		A	B	C	D	E	
710	110	375-0-375	300	300	450	A	3.75	4.13	4.50	3.00	2.25	7.2
712	130	425-0-425	350	300	450	A	3.75	4.63	4.50	3.00	2.75	8.8
714	180	510-0-510	400	170	250	A	3.13	3.75	3.75	2.50	2.38	5.5
715	200	510-0-510	400	300	450	A	3.75	4.63	4.50	3.00	2.75	9.0
717	510	510-0-510	400	500	750	A	5.00	5.25	6.50	4.56	3.25	17.7
718	235	625-0-625	500	200	300	A	3.75	4.38	4.50	3.00	2.50	8.0
720	370	625-0-625	500	300	450	A	3.75	5.38	4.50	3.00	3.50	12.0
722	625	625-0-625	500	500	750	A	5.00	5.25	6.50	4.56	3.25	17.7
724	345	750-0-750	625	200	300	A	3.75	5.25	4.50	3.00	3.38	12.0
726	312	890-0-890	750	175	260	A	3.75	5.25	4.50	3.00	3.38	12.0
728	210	1000-0-1000	850	150	225	B	3.75	5.25	4.50	3.00	3.38	12.0
732	500	1250-0-1250	1000	200	300	B	5.00	5.25	6.50	4.56	3.25	17.7
733	750	1250-0-1250	1000	300	450	B	5.00	6.00	6.50	4.56	4.00	24.0
735	735	1500-0-1500	1250	250	375	B	5.00	6.00	6.50	4.56	4.00	24.0
737	1200	1500-0-1500	1250	400	600	B	5.00	7.00	6.50	4.56	5.00	28.5
739	1400	1750-0-1750	1500	400	600	B	5.00	7.63	6.50	4.56	5.50	34.7

Notes : CCS = Continuous Commercial Service
 ICAS = Intermittent Commercial or Amateur Service



CANADA
 Guelph, Ontario (519) 822-2960
 St. Laurent, Quebec (514) 343-9010
USA
 Cheektowaga, NY (716) 630-7030

www.hammondmfg.com



EUROPE
 Basingstoke, UK 01256 812812

AUSTRALIA
 Queenstown, Australia 61-8-8240-2244