

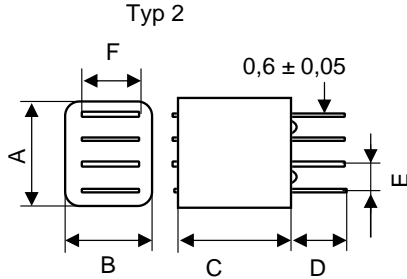
Spezifikation für Freigabe / specification for release

Kunde / customer : _____
 Artikelnummer / part number : **74273002**
 Bezeichnung : **Ferrit-Brücke WE-MLS**
 description : **Multiline Ferrite Suppressor WE-MLS**



DATUM / DATE : 2007-04-10

A Mechanische Abmessungen / dimensions:

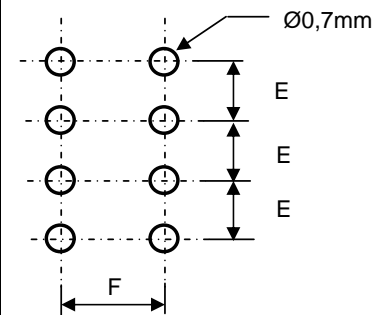


	Typ 2/ type 2	
A	10,88	mm
B	5,49	mm
C	10,0	mm
D	3,19	mm
E	2,54	mm
F	2,54	mm

B Elektrische Eigenschaften / electrical properties:

Eigenschaften / properties	Testbedingungen / test conditions		Wert / value	Einheit / unit	tol.
Impedanz @ 1 Wg./ impedance @ 1 turn	25 MHz	Z	209	Ω	±25%
Impedanz @ 1 Wg./ impedance @ 1 turn	100 MHz	Z	249	Ω	±25%
Impedanz @ 2 Wg./ impedance @ 2 turn	25 MHz	Z		Ω	typ.
Impedanz @ 2 Wg./ impedance @ 2 turn	100 MHz	Z		Ω	typ.

C Lötpad / soldering spec



D Prüfgeräte / test equipment:

HP 4191 B für/for Z und/and material
16092A - Klemme / clamp

E Testbedingungen / test conditions:

Luftfeuchtigkeit / humidity: 33%
 Umgebungstemperatur / temperature: +20°C

F Werkstoffe & Zulassungen / material & approvals:

Basismaterial / base material: 4 W 1500

G Eigenschaften / general specifications:

Curietemperatur / curie temperature: + 120°C
 Lagertemperatur / storage temperature: -55°C ~ + 125°C
 Betriebstemp. / operating temperature: -25°C ~ +105°C

Freigabe erteilt / general release:		Kunde / customer	
		SMU	Version 7
		SMU	Update
.....	LF	update Curie
Datum / date	Unterschrift / signature	SST	add name
		LF	RoHS update
		MST	Update
		JH	Neugestaltung
Gepüft / checked	Kontrolliert / approved	Name	Änderung / modification
			Datum / date

Würth Elektronik eiSos GmbH & Co. KG

D-74638 Waldenburg · Max-Eyth-Strasse 1 - 3 · Germany · Telefon (+49) (0) 7942 - 945 - 0 · Telefax (+49) (0) 7942 - 945 - 400
<http://www.we-online.com>

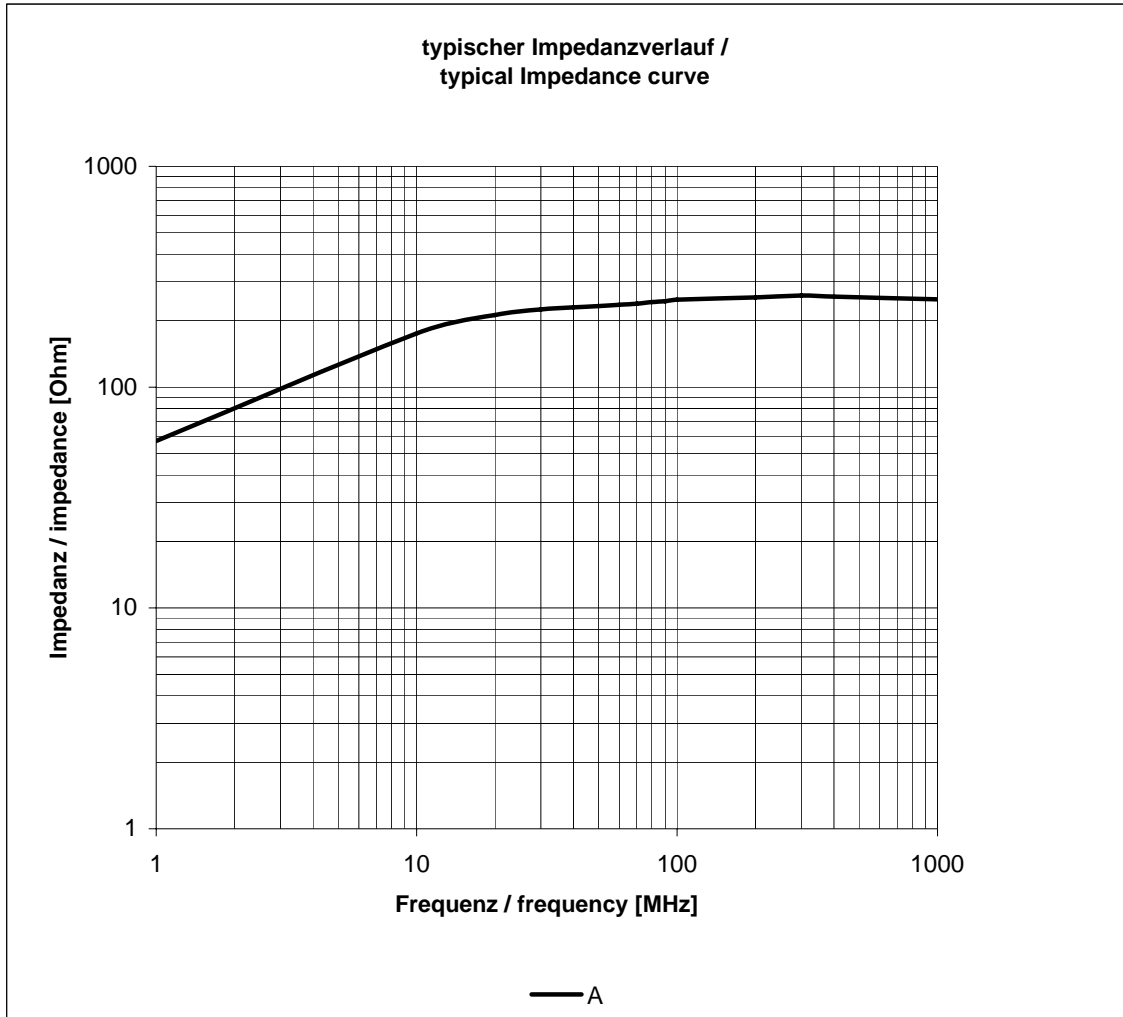
Spezifikation für Freigabe / specification for release

Kunde / customer : _____
 Artikelnummer / part number : **74273002**
 Bezeichnung : **Ferrit-Brücke WE-MLS**
 description : **Multiline Ferrite Suppressor WE-MLS**



DATUM / DATE : 2007-04-10

H Impedanzverlauf / impedance curve:



Freigabe erteilt / general release:	Kunde / customer			
		SMU	Version 7	07-04-10
		SMU	Update	06-07-21
		LF	update Curie	06-04-06
		SST	add name	05-03-18
		LF	RoHS update	04-10-11
		MST	Update	02-01-30
		JH	Neugestaltung	00-12-06
		Name	Änderung / modification	Datum / date

This electronic component has been designed and developed for usage in general electronic equipment. Before incorporating this component into any equipment where higher safety and reliability is especially required or if there is the possibility of direct damage or injury to human body, for example in the range of aerospace, aviation, nuclear control, submarine, transportation, (automotive control, train control, ship control), transportation signal, disaster prevention, medical, public information network etc, Würth Elektronik eiSos GmbH must be informed before the design-in stage. In addition, sufficient reliability evaluation checks for safety must be performed on every electronic component which is used in electrical circuits that require high safety and reliability functions or performance.

Würth Elektronik eiSos GmbH & Co. KG

D-74638 Waldenburg · Max-Eyth-Strasse 1 - 3 · Germany · Telefon (+49) (0) 7942 - 945 - 0 · Telefax (+49) (0) 7942 - 945 - 400

<http://www.we-online.com>