

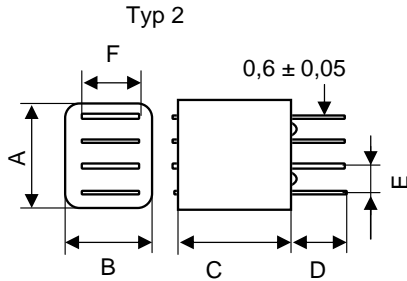
# Spezifikation für Freigabe / specification for release

Kunde / customer : \_\_\_\_\_  
 Artikelnummer / part number : **742730023**  
 Bezeichnung : **Ferrit-Brücke WE-MLS**  
 description : **Multiline Ferrite Suppressor WE-MLS**



DATUM / DATE : 2007-04-10

## A Mechanische Abmessungen / dimensions:

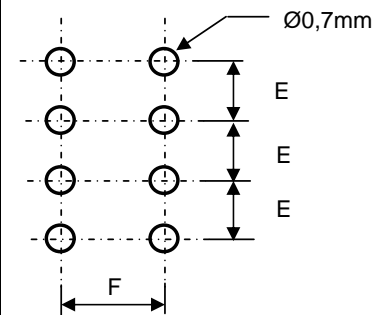


	Typ 2/ type 2	
A	11,2 max.	mm
B	11,2 max.	mm
C	11,0	mm
D	5	mm
E	2,54 ± 0,1	mm
F	7,62 ± 0,1	mm

## B Elektrische Eigenschaften / electrical properties:

Eigenschaften / properties	Testbedingungen / test conditions		Wert / value	Einheit / unit	tol.
Impedanz @ 1 Wg./ impedance @ 1 turn	25 MHz	Z	292	Ω	±25%
Impedanz @ 1 Wg./ impedance @ 1 turn	100 MHz	Z	334	Ω	±25%
Impedanz @ 2 Wg./ impedance @ 2 turn	25 MHz	Z		Ω	typ.
Impedanz @ 2 Wg./ impedance @ 2 turn	100 MHz	Z		Ω	typ.

## C Lötpad / soldering spec



## D Prüfgeräte / test equipment:

HP 4191 B für/for Z und/and material  
 16092A - Klemme / clamp

## E Testbedingungen / test conditions:

Luftfeuchtigkeit / humidity: 33%  
 Umgebungstemperatur / temperature: +20°C

## F Werkstoffe & Zulassungen / material & approvals:

Basismaterial / base material: 4 W 1500

## G Eigenschaften / general specifications:

Curietemperatur / curie temperature: + 120°C  
 Lagertemperatur / storage temperature: -55°C ~ + 125°C  
 Betriebstemp. / operating temperature: -25°C ~ +105°C

Freigabe erteilt / general release:		Kunde / customer	
.....	.....	SMU	Version 7
.....	.....	SMU	Update
.....	.....	LF	update Curie
.....	.....	SST	add name
.....	.....	LF	RoHS update
.....	.....	MST	Update
.....	.....	JH	Neugestaltung
.....	.....	Name	Änderung / modification
.....	.....		Datum / date

**Würth Elektronik eiSos GmbH & Co. KG**

D-74638 Waldenburg · Max-Eyth-Strasse 1 - 3 · Germany · Telefon (+49) (0) 7942 - 945 - 0 · Telefax (+49) (0) 7942 - 945 - 400  
<http://www.we-online.com>

# Spezifikation für Freigabe / specification for release

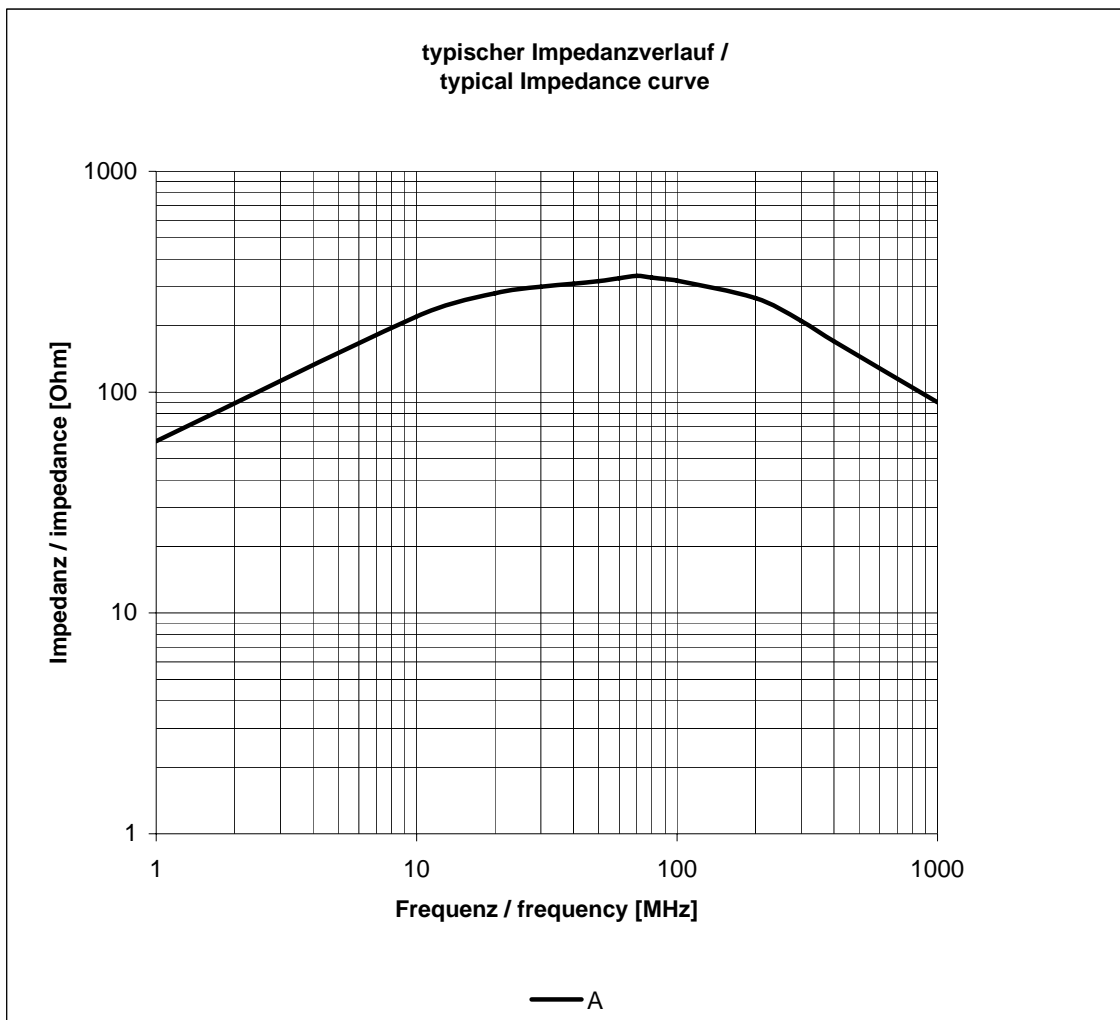
Kunde / customer : \_\_\_\_\_  
 Artikelnummer / part number : **742730023**  
 Bezeichnung : **Ferrit-Brücke WE-MLS**  
 description : **Multiline Ferrite Suppressor WE-MLS**



**WÜRTH ELEKTRONIK**

**DATUM / DATE : 2007-04-10**

## H Impedanzverlauf / impedance curve:



Freigabe erteilt / general release:	<b>Kunde / customer</b>		
.....	.....	SMU	Version 7
Datum / date	Unterschrift / signature	SMU	Update
.....	.....	LF	update Curie
	<b>Würth Elektronik</b>	SST	add name
.....	.....	LF	RoHS update
Geprüft / checked	Kontrolliert / approved	MST	Update
.....	.....	JH	Neugestaltung
		Name	<b>Änderung / modification</b>
			Datum / date

This electronic component has been designed and developed for usage in general electronic equipment. Before incorporating this component into any equipment where higher safety and reliability is especially required or if there is the possibility of direct damage or injury to human body, for example in the range of aerospace, aviation, nuclear control, submarine, transportation, (automotive control, train control, ship control), transportation signal, disaster prevention, medical, public information network etc, Würth Elektronik eiSos GmbH must be informed before the design-in stage. In addition, sufficient reliability evaluation checks for safety must be performed on every electronic component which is used in electrical circuits that require high safety and reliability functions or performance.

**Würth Elektronik eiSos GmbH & Co. KG**

D-74638 Waldenburg · Max-Eyth-Strasse 1 - 3 · Germany · Telefon (+49) (0) 7942 - 945 - 0 · Telefax (+49) (0) 7942 - 945 - 400

<http://www.we-online.com>