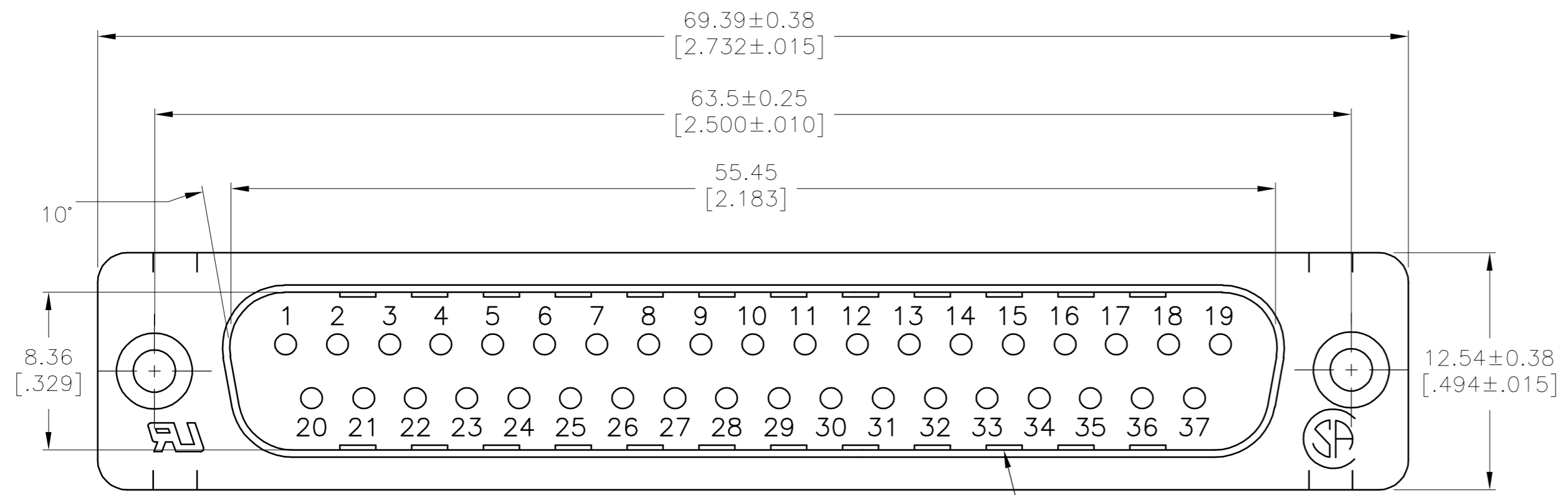
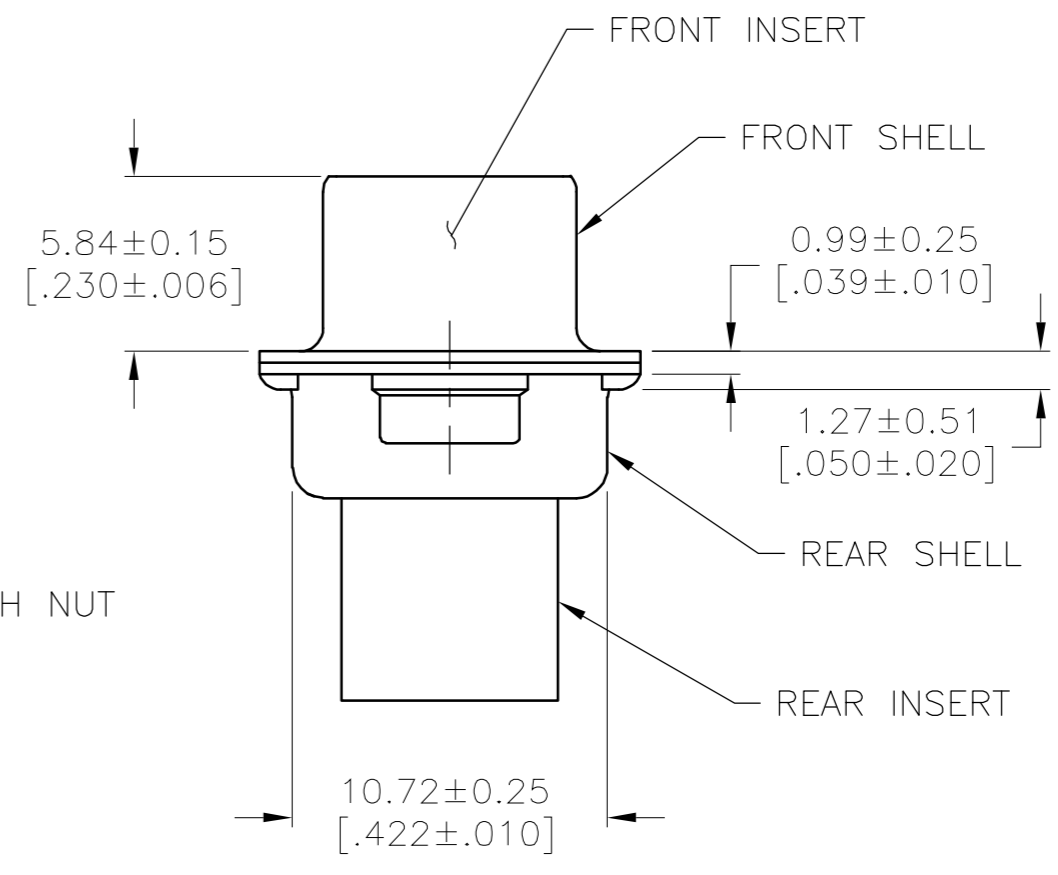
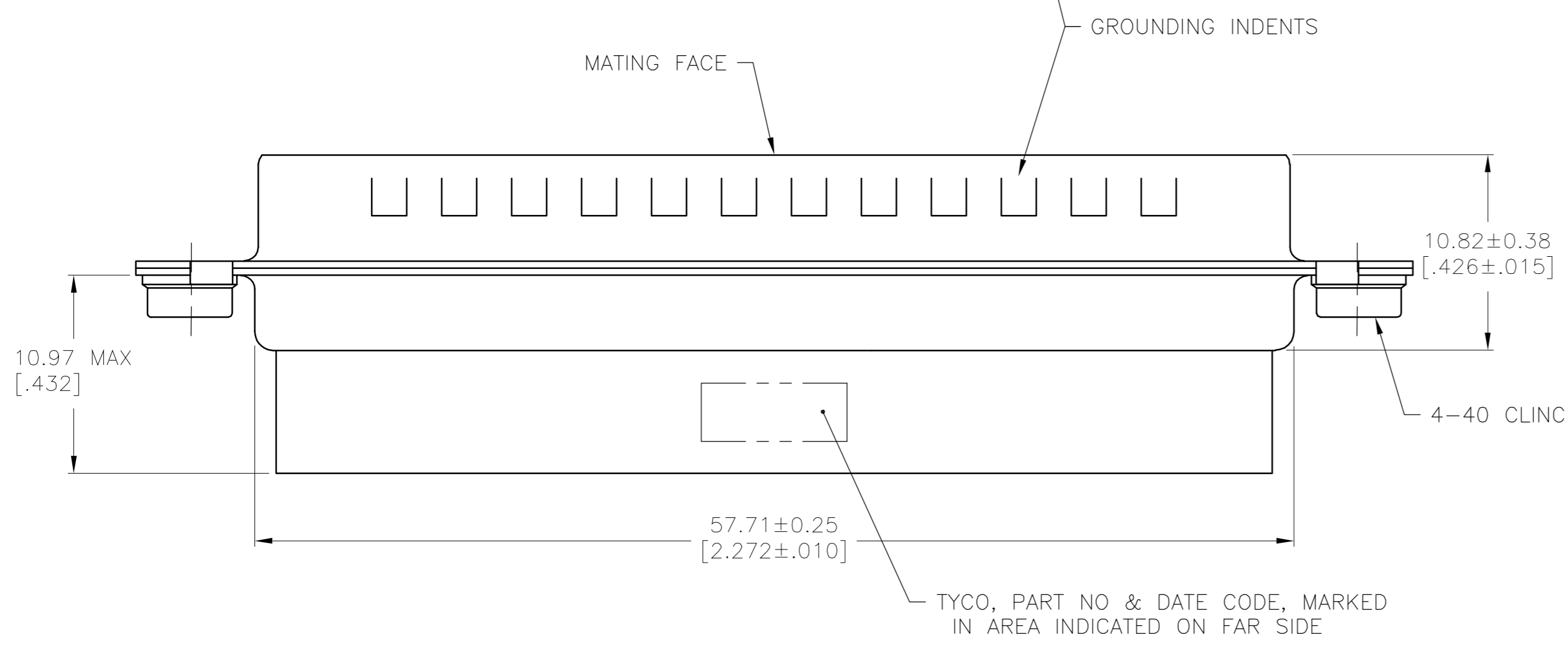


THIS DRAWING IS UNPUBLISHED. RELEASED FOR PUBLICATION
 © COPYRIGHT BY TYCO ELECTRONICS CORPORATION. ALL RIGHTS RESERVED.

LOC		DIST		REVISIONS			
P	LTR	DESCRIPTION	DATE	DWN	APVD		
GP	00	F1	REVISED PER ECO-06-020813	25/OCT/06	ZR	CR	



- ① INSERTS: GLASS FILLED NYLON, UL 94V-0 RATED, COLOR BLACK.
SHELLS: CARBON STEEL PER ASTM A109.
CLINCH NUTS: CARBON STEEL PER ASTM A108.
- ② SHELLS: SEE TABLE
CLINCH NUTS: CLEAR CHROMATE OVER ZINC.
- 3. CONNECTOR ACCEPTS SIZE 20 DF PIN CONTACTS. RETENTION TINES ARE AN INTEGRAL PART OF INSERT.
- ④ 0.00508[.000200] MIN BRIGHT TIN OR BRIGHT TIN LEAD OVER
0.00254[.000100] MIN COPPER.
- ⑤ 0.00508[.000200] MIN BRIGHT TIN OVER 0.00254[.000100] MIN COPPER.



TYCO, PART NO & DATE CODE, MARKED IN AREA INDICATED ON FAR SIDE

**COPYRIGHT 2003
 TYCO ELECTRONICS CORP
 ALL RIGHTS RESERVED**

OBSOLETE	⑤	745135-4
	④	745135-2
	SHELL FINISH	PART NUMBER

THIS DRAWING IS A CONTROLLED DOCUMENT.		DWN J.GERACE 24APR03	tyco Electronics Tyco Electronics Corporation Harrisburg, Pa 17105	
DIMENSIONS: MM [INCHES]		CHK S.BOLASH 24APR03		
TOLERANCES UNLESS OTHERWISE SPECIFIED:		APVD M.WALMSLEY 24APR03	NAME	
0 PLC ± -	1 PLC ± -	PRODUCT SPEC	108-40005	
2 PLC ± 0.13[.005]	3 PLC ± -	APPLICATION SPEC	114-40030	
4 PLC ± -	ANGLES ± -	WEIGHT	-	
MATERIAL	FINISH	CUSTOMER DRAWING	SIZE A2	CAGE CODE 00779
①	②		DRAWING NO C=745135	RESTRICTED TO -
			SCALE 4:1	SHEET 1 OF 1
			REV F1	