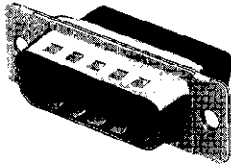


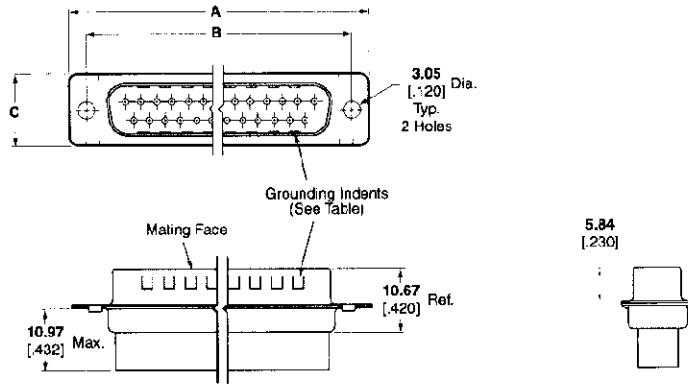


AMPLIMITE Subminiature D Type Connectors (Continued)

HDP-20 Crimp Snap-In Contact Connectors



Plug

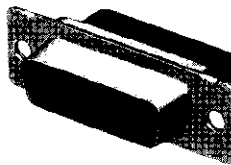


Material and Finish:

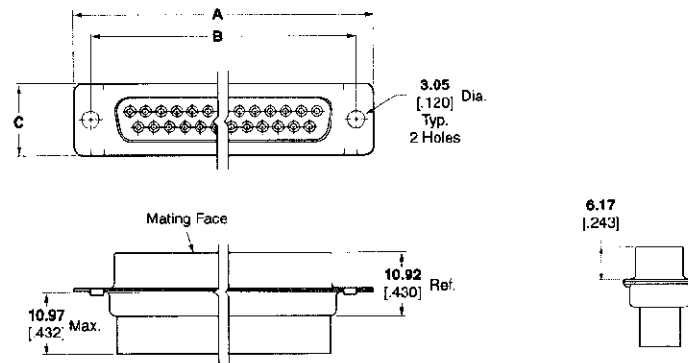
Shell — Steel, zinc or tin plated
Insert — 94V-0 rated thermoplastic, black

Mounting Holes:

Standard — 3.05 [.120] Dia.
Clinch Nut — 4-40 threads with self-locking feature

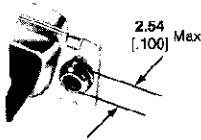


Receptacle



Technical Documents:

Product Specification — 108-40005
Application Specifications — 114-10000, 114-40030



Clinch Nut
(Plug and Receptacle)

Shell Size	No. of Contact Positions	Dimensions			Insert Material	Mounting Method	Plug Part Numbers		Receptacle Part Nos.
		A	B	C			Without Grounding Indents	With Grounding Indents	Tin Plated Shell
1	9	30.81 1.213	24.99 .984	12.55 .494	94V-0	Standard	205204-3	205204-4	205203-3
						Clinch Nut	745906-1	745906-2	745907-1
2	15	39.14 1.541	33.33 1.312	12.55 .494	94V-0	Standard	205206-2	205206-3	205205-2
						Clinch Nut	745908-1	745908-2	745909-1 745909-2*
3	25	53.04 2.088	47.04 1.852	12.55 .494	94V-0	Standard	207464-1	207464-2	207463-1
						Clinch Nut	745036-3	745036-2	207516-3
4	37	69.32 2.729	63.50 2.500	12.55 .494	94V-0	Standard	205210-2	205210-3	205209-2
						Clinch Nut	—	745135-2	207661-3
5	50	66.93 2.635	61.11 2.406	15.37 .605	94V-0	Standard	205212-2	205212-3	205211-2
						Clinch Nut	—	—	745884-1

*Clinch nut mounting with M-3 threads.
Note: Plugs accept size 20 DF pin contacts and receptacles accept size 20 DF socket contacts.

Input/Output

Parallel Applications