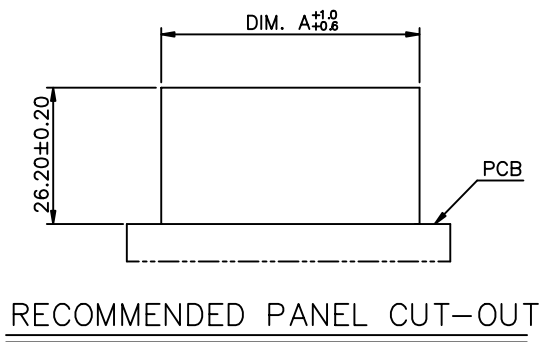
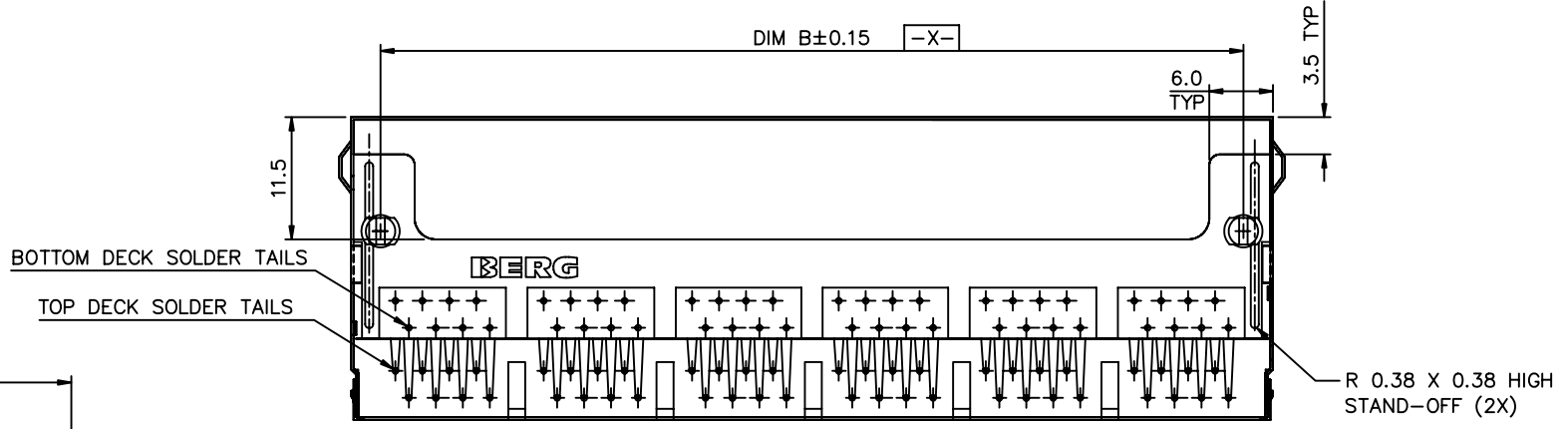
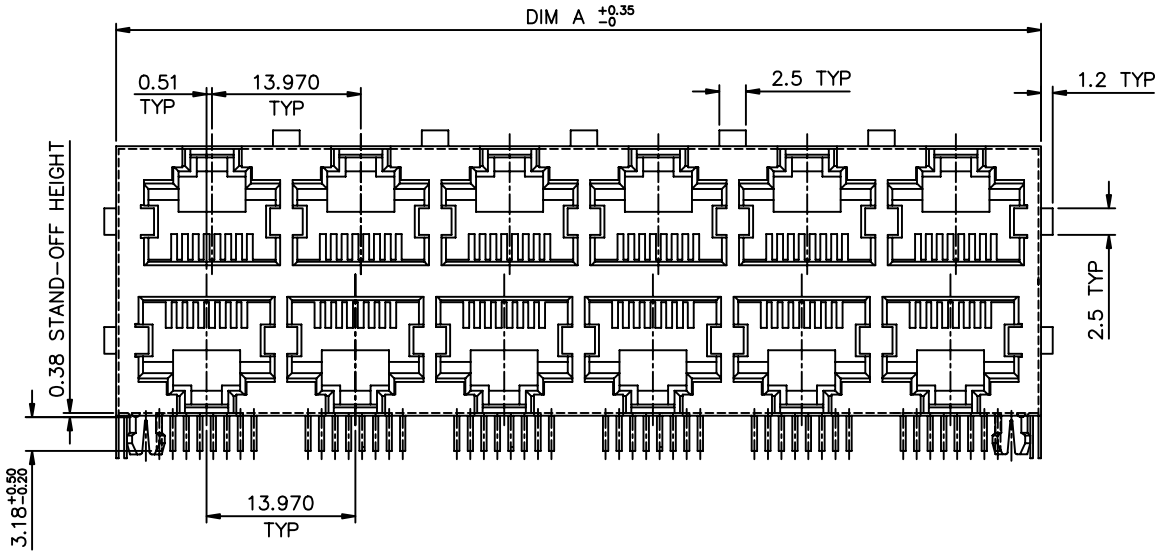
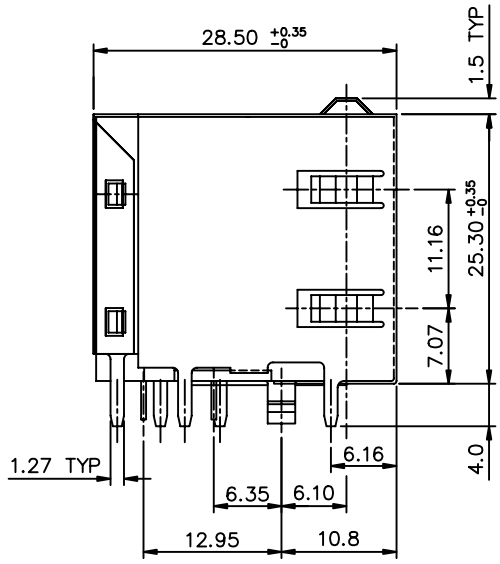


Tous droits strictement réservés. Reproduction ou communication à des tiers sans aucune autorisation écrite du propriétaire.  
 Property of c BERG ELECTRONICS.  
 Copyright BERG ELECTRONICS by



All rights strictly reserved. Reproduction or issue to third parties in any form without written authority from the proprietor.  
 Property of c BERG ELECTRONICS.  
 Copyright BERG ELECTRONICS by



mat'l code		tolerance unless otherwise specified		CUSTOMER COPY	FCI www.fciconnect.com	
rev.	ecn no.	dr	date	linear	.00 ± 0.25	projection
C	T90131	M	W 04/15/99		.00 ± 0.13	
D	T00173	C	C 05/09/00	angles	± 2°	
E	T00239	C	C 08/02/00			
F	T03-0443	W	L 10/08/03	dr	CATHY LIN 05/26/98	unit
G	N05-0018	YS	01/25/05	enr	TONY CHIEN 05/26/98	mm/inch
H	N08-0100	SH	09/25/08	chr	TONY CHIEN 05/26/98	scale
J	N08-0273	SH	12/25/08	appd	JENN TSAO 05/26/98	2:1
sheet	revisor	G	G			
index	sheet	1	2			

title		RJ45 DOUBLE DECK GANG JACK ASSY	
product family	MOD JACK	code	TWN
size	dwg no.	sheet	1 OF 2
A3	74633		

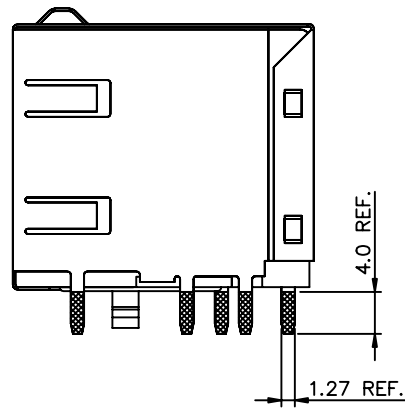
Tous droits strictement reserves. Reproduction ou communication a des tiers Int sous quelque forme que ce soit sans autorisation écrite du propriétaire.  
 Property of c BERG ELECTRONICS  
 Droits de reproduction BERG ELECTRONICS by

All rights strictly reserved. Reproduction or issue to third parties in any for whatever is not permitted without written authority from the proprietor.  
 Property of c BERG ELECTRONICS  
 Copyright BERG ELECTRONICS by

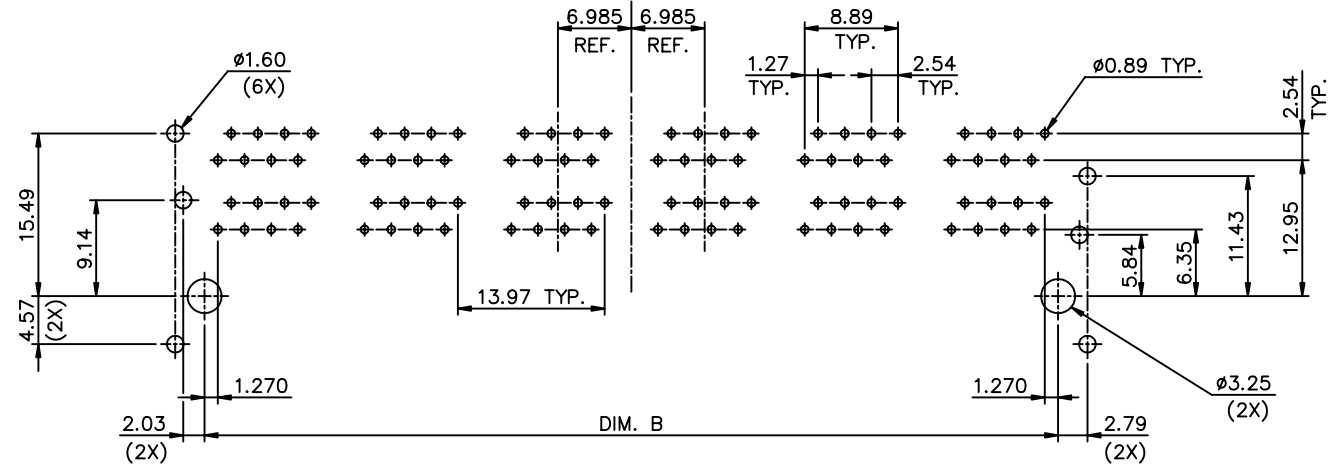
PRODUCT NO.	PORT NUMBERS	DIM. A <sup>+0.35</sup> <sub>-0</sub>	DIM. B±0.15	PACKAGING	REMARKS	PLATING
74633-004-R 74633-004-RLF 74633-004-RHLF	4x2	58.92	53.34	USING TRAY	AVAILABLE	30 v" G.X.T.
74633-304-R 74633-304-RLF 74633-304-RHLF						30 v" GOLD. ⑧
74633-504-R 74633-504-RLF 74633-504-RHLF						50 v" GOLD.

- NOTES:
- RECOMMENDED P.C.B THICKNESS 1.60 MM
  - HOUSING MAT'L: NYLON 6/6, 25% G.F.,UL 94V-0, COLOR - BLACK.
  - CONTACTS: PHOS BRONZE ALLOY UNS-C51000, Ø 0.460 ROUND WIRE, PLATING SEE TABLE.
  - ⑧ SHIELDING MATERIAL: 0.25MM THICK, BRASS ALLOY. SHIELDING PLATING: 30 v" NICKEL PRE-PLATED AND WITH POST SOLDER DIP ON GROUNDING LEGS AS DETAIL C (IF LF P/N WITH POST PURE TIN SOLDER DIP).
  - IF LF P/N THE PRODUCT MEETS EUROPEAN UNION DIRECTIVES AND OTHER COUNTRY REGULATIONS AS DESCRIBED IN GS-22-008.
  - THE HOUSING WILL WITHSTAND EXPOSURE TO 260°C PEAK TEMPERATURE FOR 10 SECONDS IN A WAVE SOLDER APPLICATION WITH A 1.60mm MINIMUM THICK CIRCUIT BOARD.
  - IF LF P/N PACKAGING MEETS GS-14-920 SPECIFICATION.
  - ⑧ EQUIVALENT THICKNESS Au AND GXT PLATING HAVE SAME FUNCTION AND THEY ARE ALTERNATIVE BY THE CUSTOEMR.

LEAD FREE PRODUCT NO.  
 MEETS PIP PROCESS PRODUCT NO.



DETAIL C  
 NOTE 4



RECOMMENDED P.C.B LAYOUT  
 COMPONENT SIDE

mat'l code		tolerance unless otherwise specified		CUSTOMER COPY		FCJ www.fciconnect.com	
rev.	ecn no.	dr	date	linear	.0 ± 0.25	projection	title RJ45 DOUBLE DECK GANG JACK ASSY
J					.00 ± 0.13		
				angles	.000± 0.05		
				dr	CATHY LIN D5/26/98	unit	product family
				enr	TONY CHIEN D5/26/98	mm/inch	MOD JACK
				chr	TONY CHIEN D5/26/98	scale	code
				appd	JENN TSAO D5/26/98	2:1	TWN
sheet		revision		A3		size	
index		sheet		74633		dwg no.	
				2 OF		sheet	
						2 OF	