

4

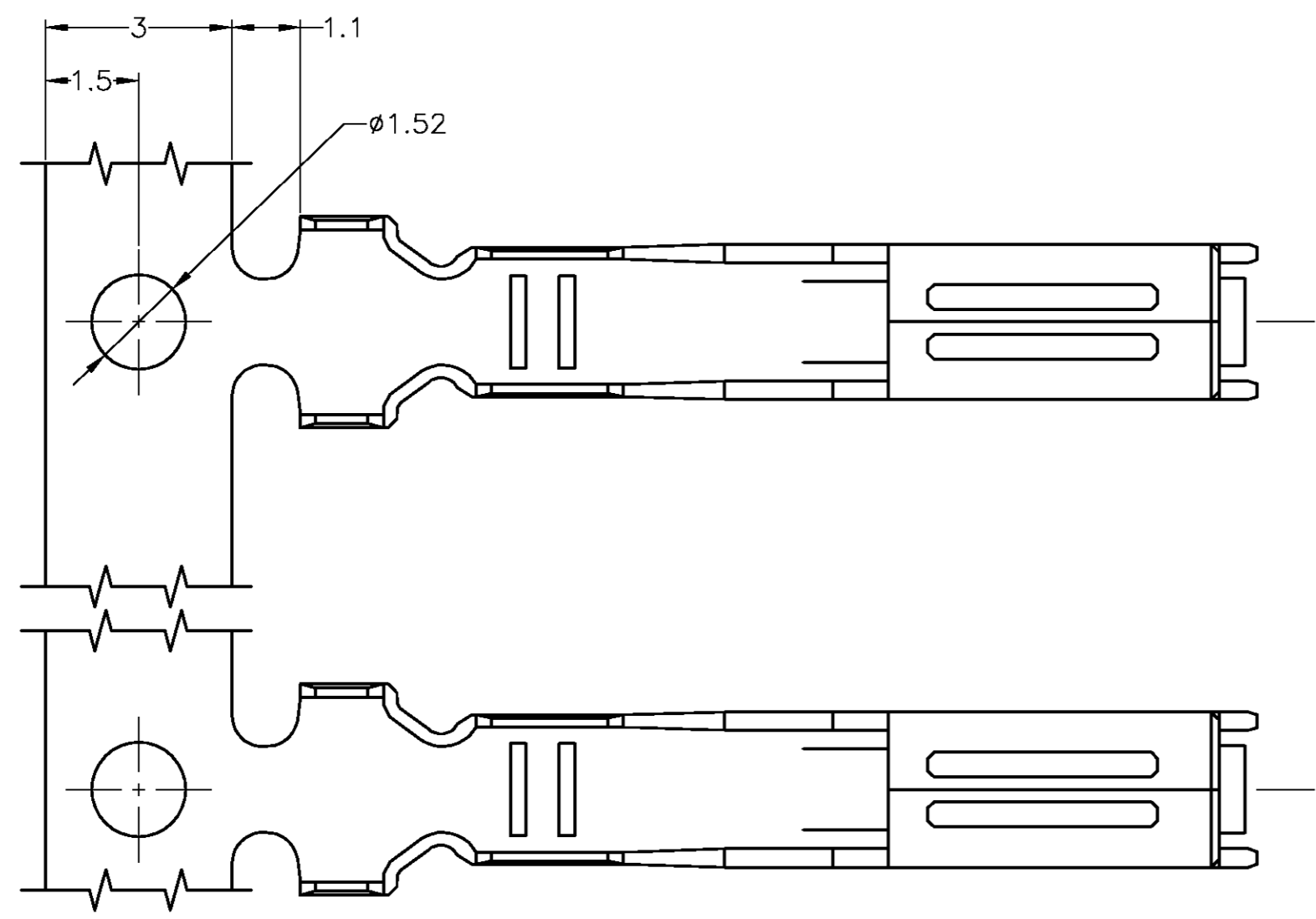
3

2

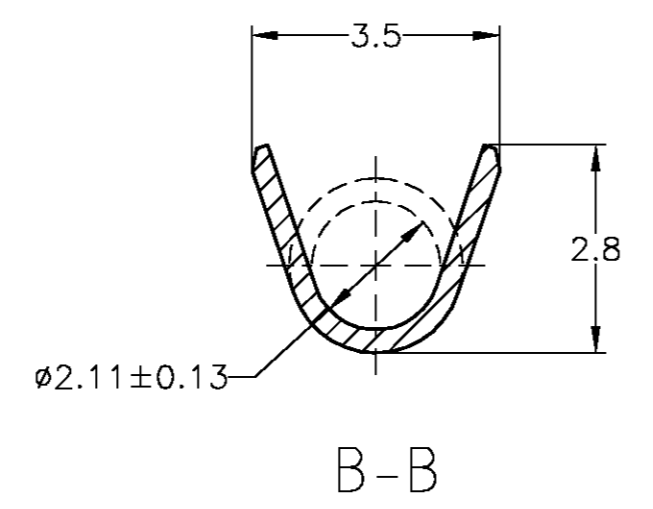
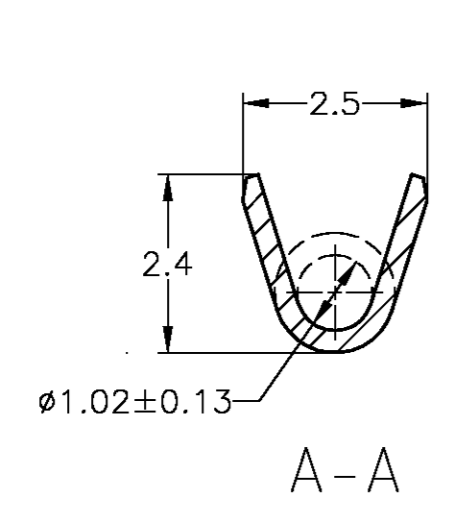
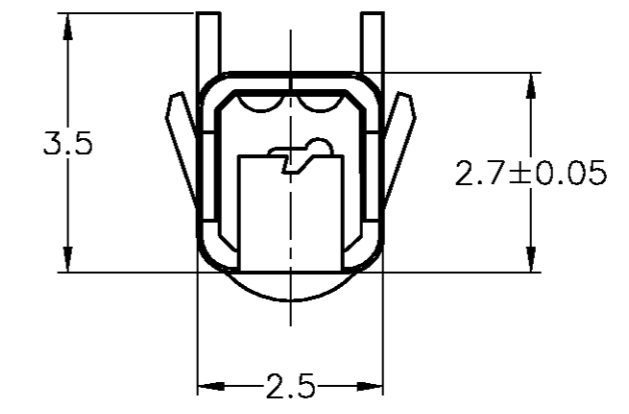
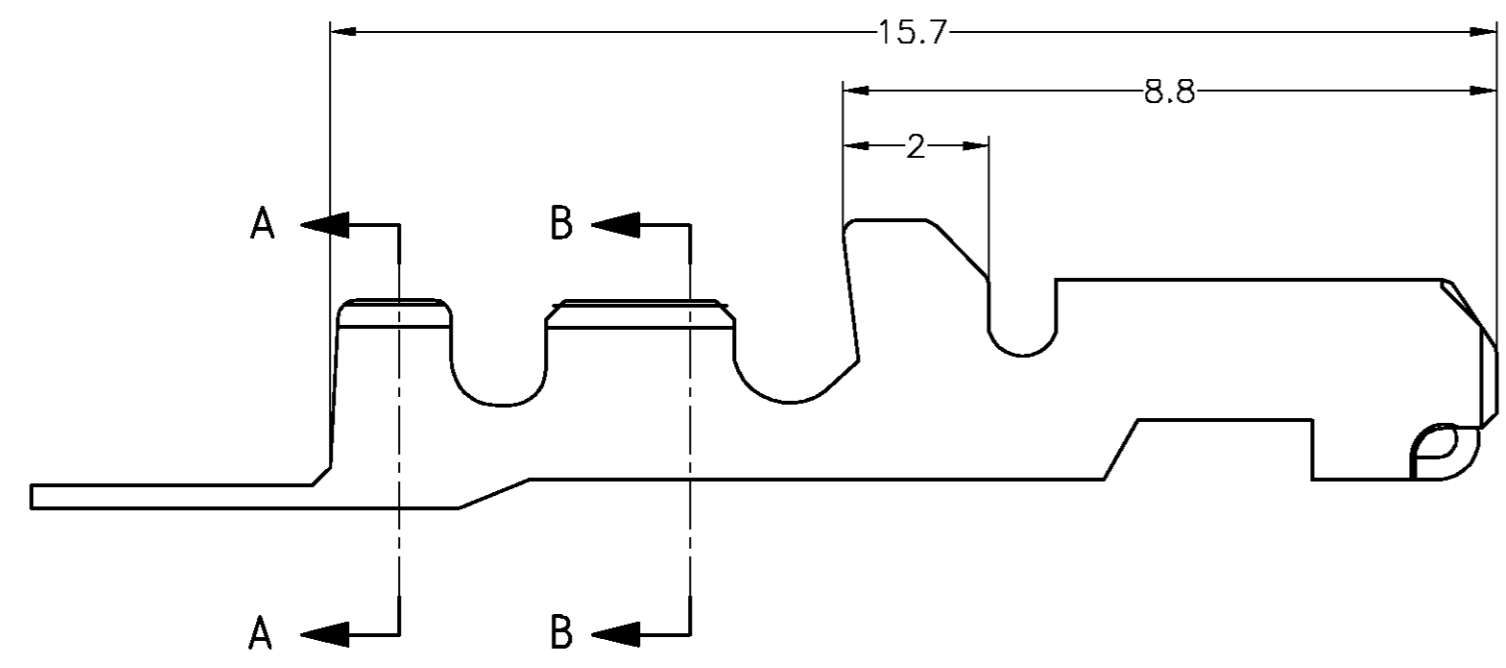
1

THIS DRAWING IS UNPUBLISHED. RELEASED FOR PUBLICATION
 © COPYRIGHT BY TYCO ELECTRONICS CORPORATION. ALL RIGHTS RESERVED.

LOC	DIST	REVISIONS					
J	—	P	LTR	DESCRIPTION	DATE	DWN	APVD
		C1		REDRAWN W/CHANGE	FJ00-0071-03	14JAN03	TS KB



- 1. FINISH: 0.00250 MIN THK BRIGHT TIN OVER
0.00040 MIN THK COPPER
- 2. DESIGNED TO MATE WITH 1.50 × 0.82 TIN PLATE BLADE
- 3. WIRE RANGE: 22-18 AWG
INSULATION DIAMETER RANGE: 1.1-2.25



776001

776001-1
PART NUMBER

THIS DRAWING IS A CONTROLLED DOCUMENT.		DWN I.SHINOHARA 14JAN03	Tyco Electronics AMP K.K. Kawasaki, Japan	
DIMENSIONS: 單位: 轉 MM		CHK K.BETSUI 14JAN03	NAME 名称	
TOLERANCES UNLESS OTHERWISE SPECIFIED: 一般公差		APVD K.BETSUI 14JAN03	PRODUCT SPEC 製品規格	
0 PLC ± - 1 PLC ± 0.25 2 PLC ± 0.15 3 PLC ± - 4 PLC ± - ANGLES ± -		APPLICATION SPEC 取付適用規格	108-1452	
FINISH 仕上		WEIGHT	SIZE A2	CAGE CODE 00779
MATERIAL 材質 BRASS C26000, TEMP 4, 0.300±0.010 THK		DRAWING NO 番号 776001		RESTRICTED TO —
		CUSTOMER DRAWING		SCALE 尺度 10:1
		SHEET 1 OF 1		REV C1