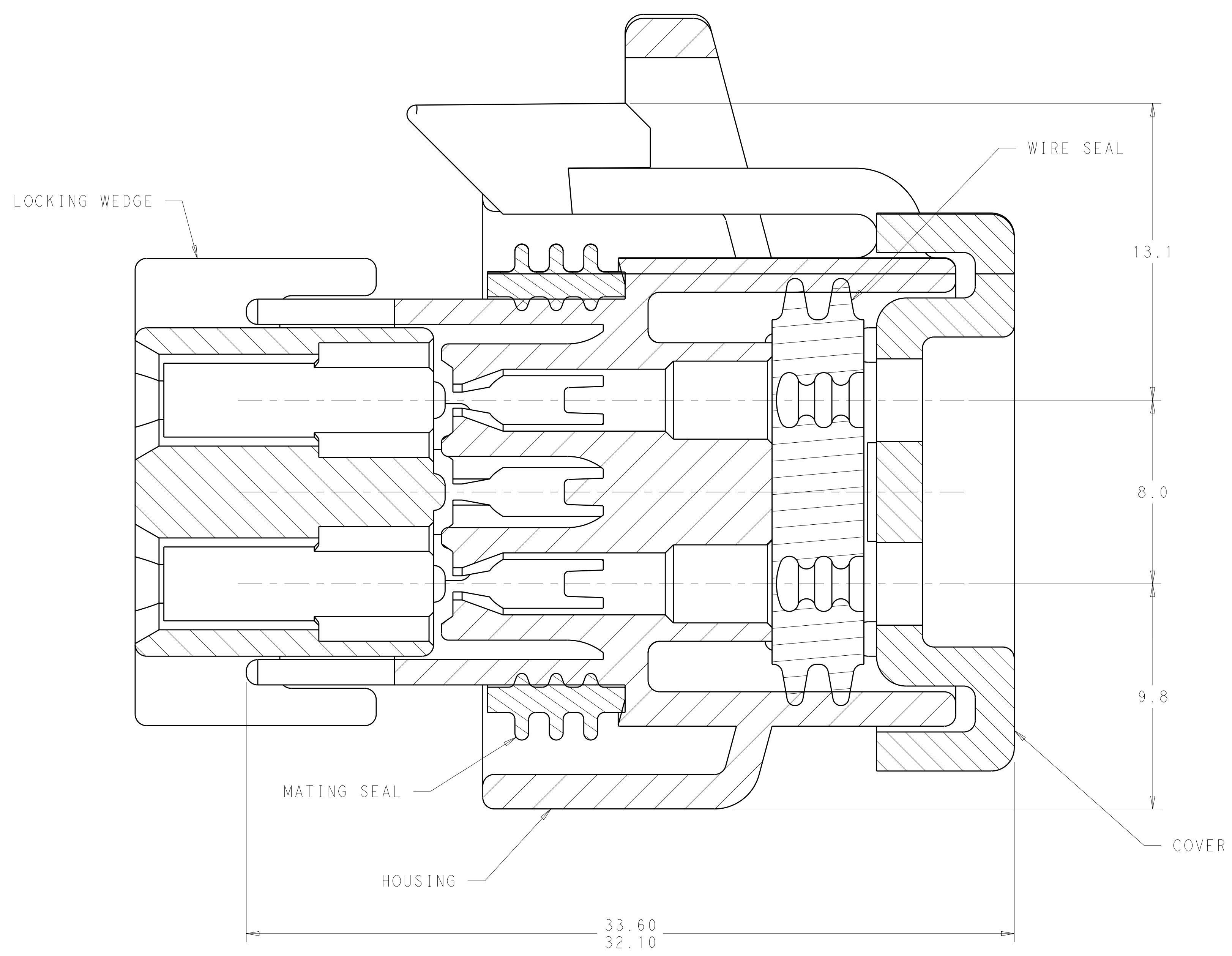
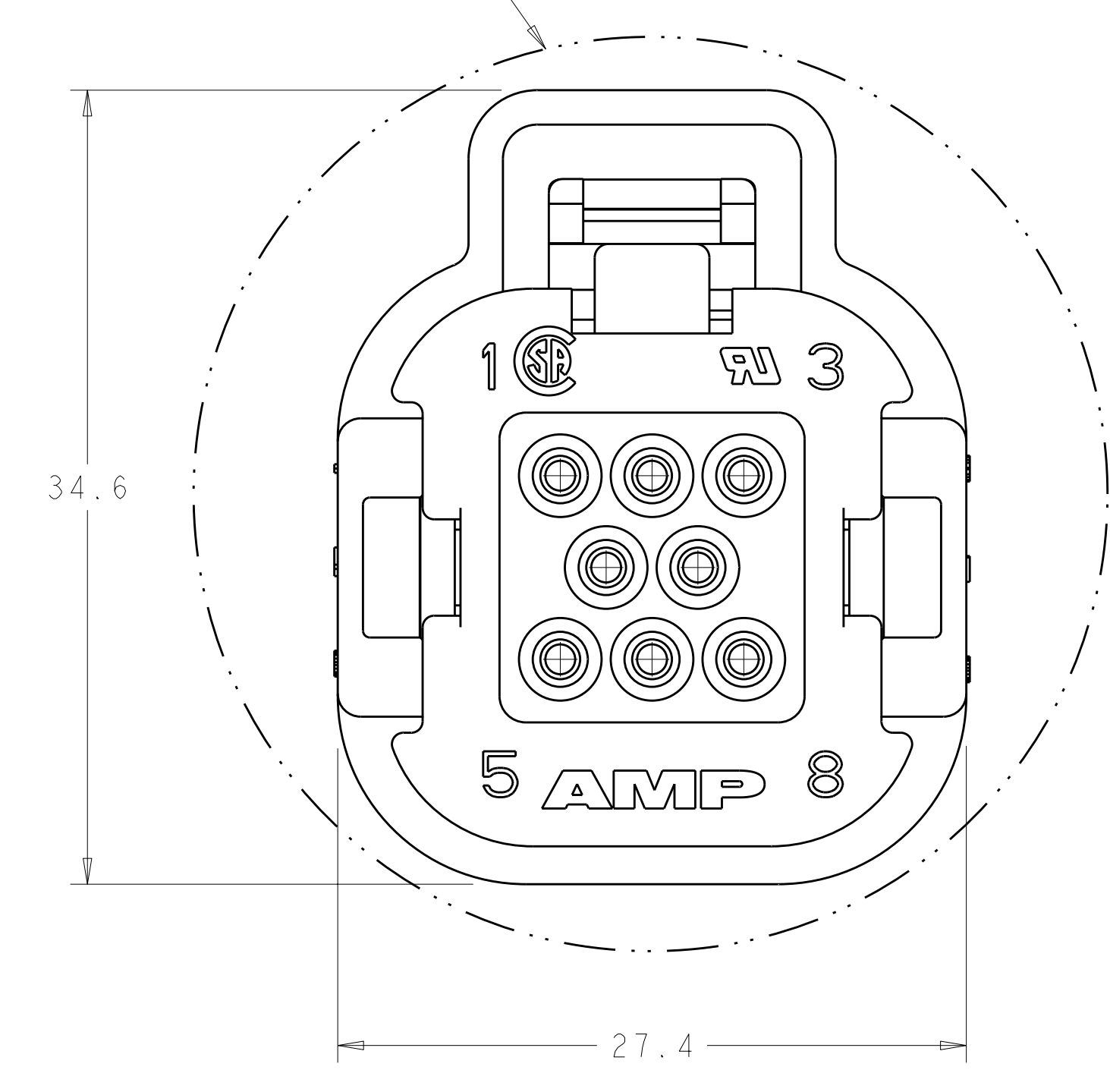


LOC	DIST	REVISIONS			
HK	00	REV	DATE	BY	APP'D
		D	REVISD PER ECO-09-023386	03NOV2009	RGV DCS

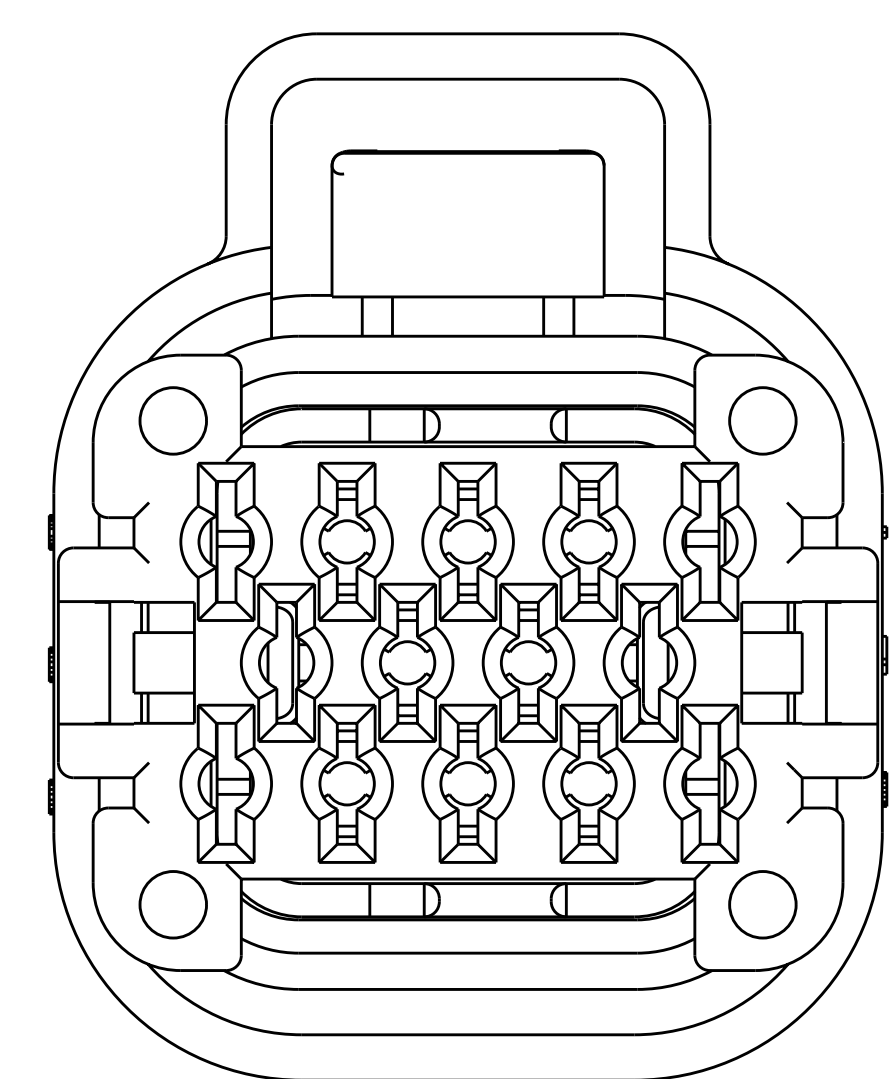


ASSEMBLY WILL PASS THRU Ø66 OPENING

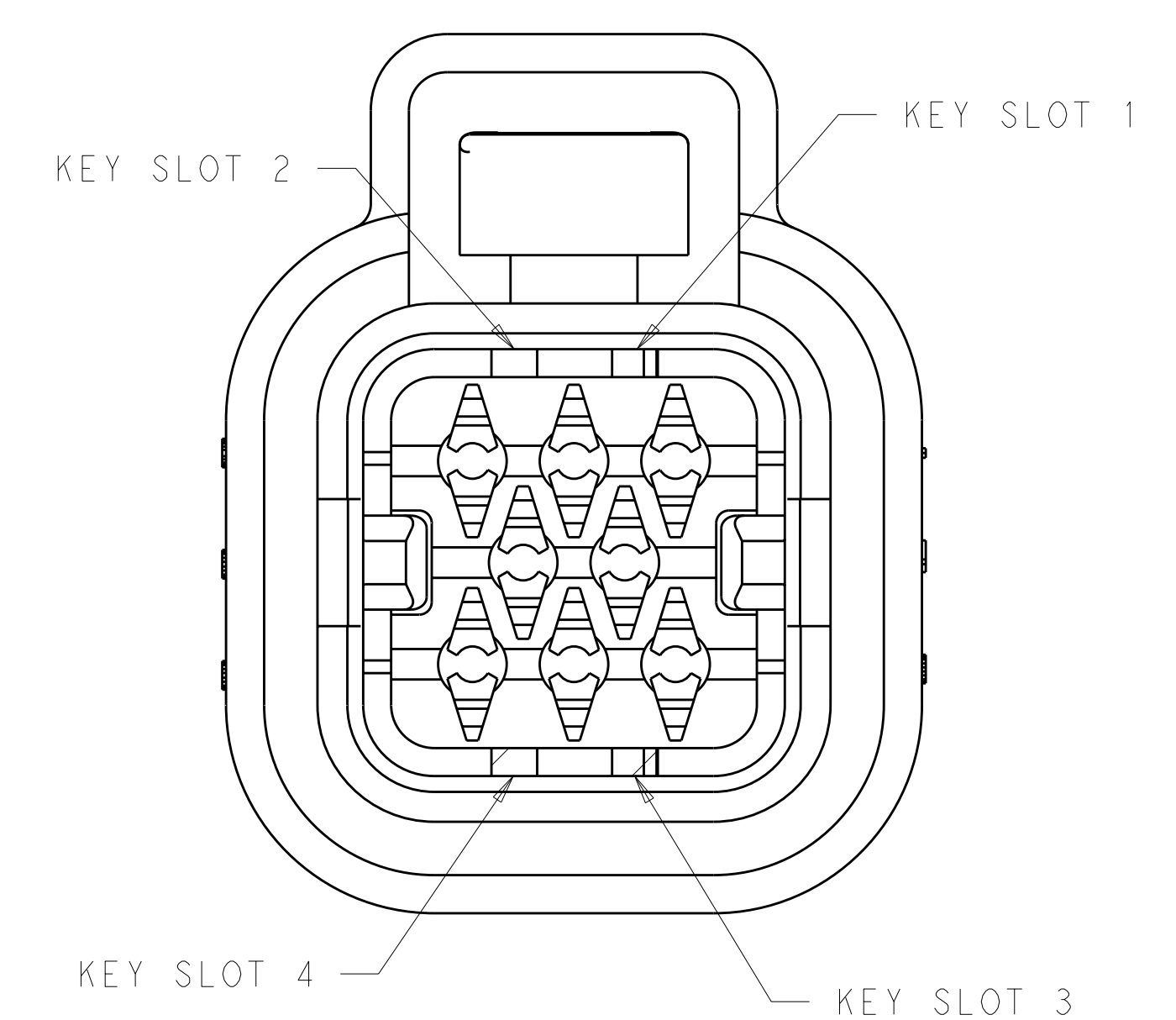
⚠ HOUSING COLORS ARE MECHANICALLY KEYS TO MATE WITH IDENTICALLY COLORED HEADER ASSEMBLIES.



SCALE 4:1



BOTTOM VIEW WITH LOCKING WEDGE  
SCALE 4:1



KEY SLOT LOCATIONS  
SCALE 4:1

1 & 3	776286-2
2 & 4	776286-1
KEY SLOT LOCATION (SEE VIEW ABOVE)	PART NUMBER

COVER	WIRE SEAL	MATING SEAL	LOCKING WEDGE	HOUSING	PART NUMBER
GLASS FILLED PBT, BLACK	SILICONE RUBBER, YELLOW	SILICONE RUBBER, YELLOW	PBT, RED	PBT, NATURAL	776286-2
				PBT, BLACK	776286-1

DIMENSIONS:		TOLERANCES UNLESS OTHERWISE SPECIFIED:		DWN R. VESTAL 08SEP2009	
mm	9 PLC ±	1 PLC ±0.2	2 PLC ±	3 PLC ±	4 PLC ±
	ANGLES	±			
MATERIAL	FINISH	WEIGHT	114-16016	SIZE	CAGE CODE
SEE TABLE	SEE TABLE	CUSTOMER DRAWING		A1100779	C=776286
			SCALE	8:1	SHEET 1 OF 1

TYCO ELECTRONICS CORPORATION  
 HARRISBURG, PA 17105-3608

PLUG ASSEMBLY, 8 POSITION, AMPSEAL