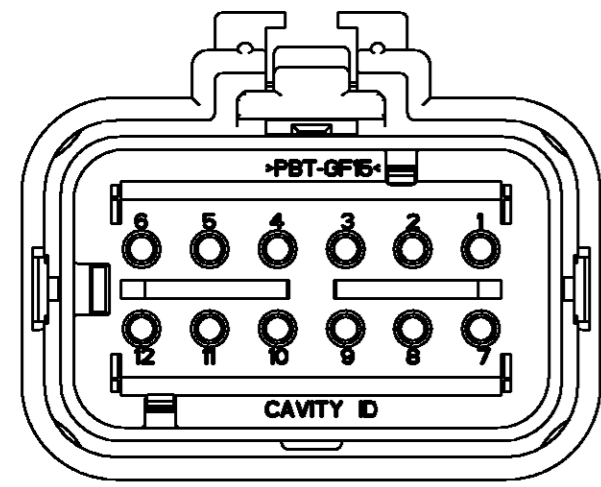
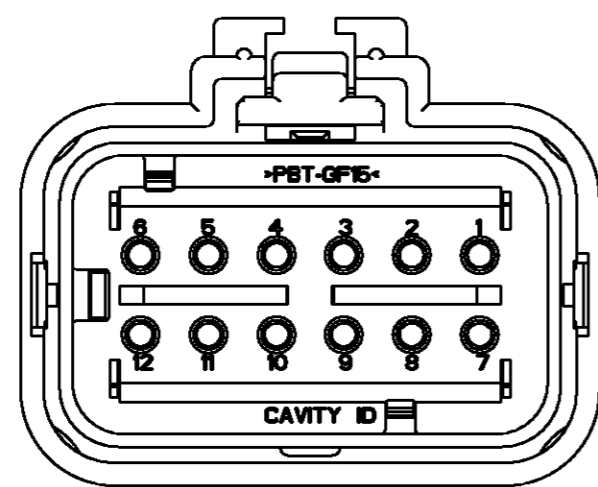


THIS DRAWING IS UNPUBLISHED. RELEASED FOR PUBLICATION 20  
 © COPYRIGHT 20 BY TYCO ELECTRONICS CORPORATION. ALL RIGHTS RESERVED.

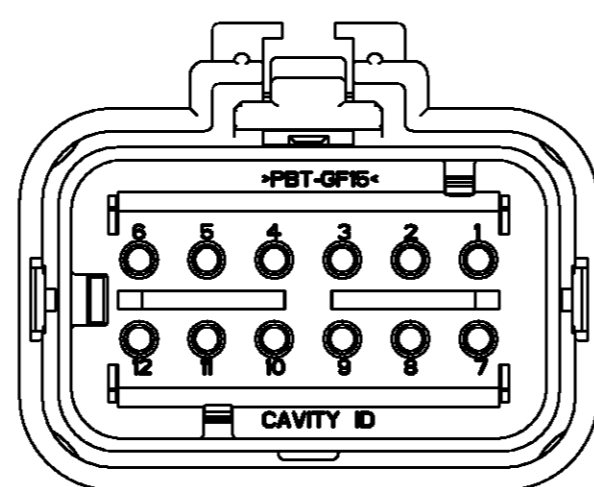
| LOC | DIST | REVISIONS   |                       |           |       |
|-----|------|-------------|-----------------------|-----------|-------|
| P   | LTR  | DESCRIPTION | DATE                  | DWN       | APVD  |
| GE  | 00   | E           | REV PER ECR-06-003051 | 07FEB2006 | WH RS |



776437-2  
SCALE 2:1

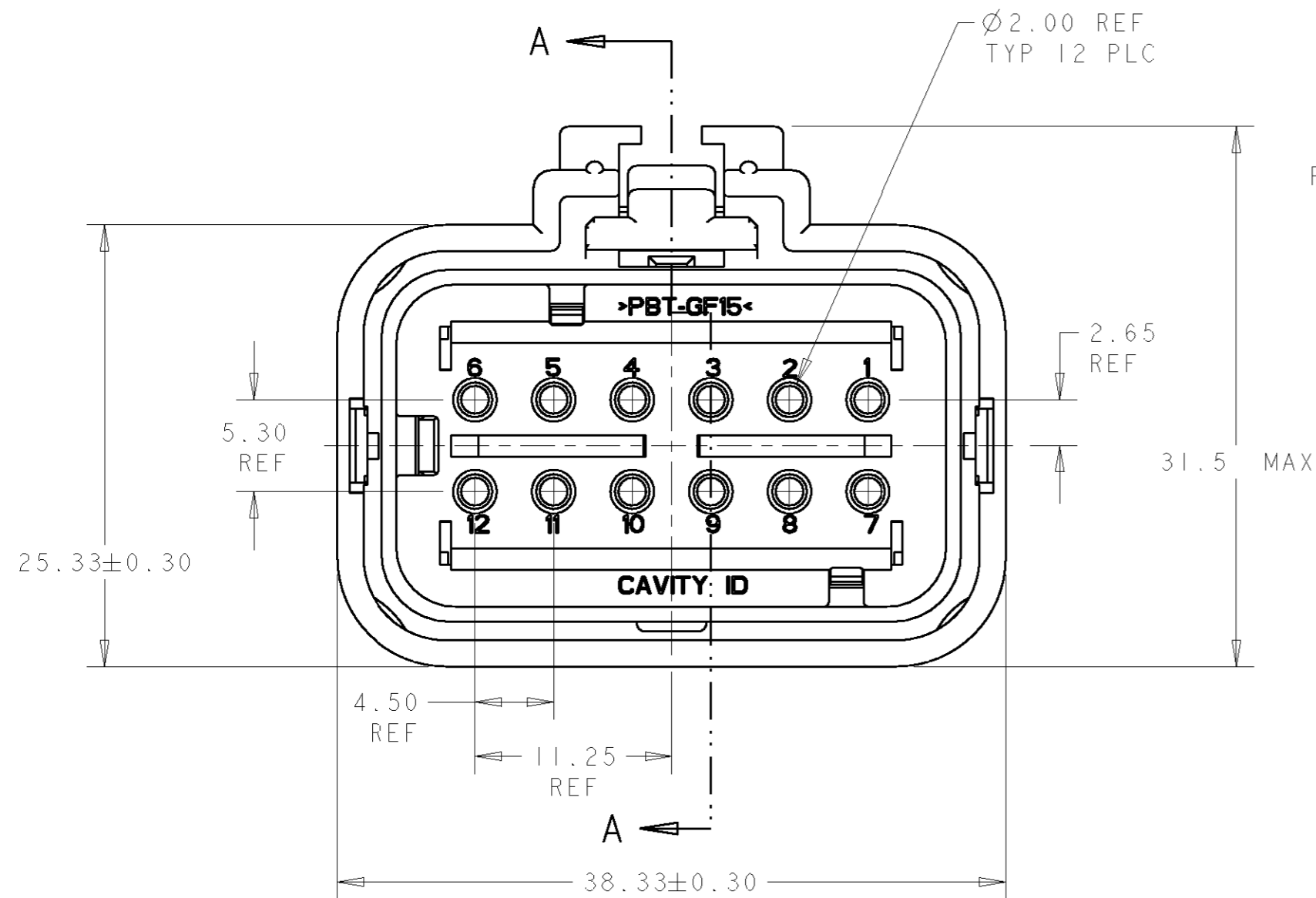


776437-3  
SCALE 2:1

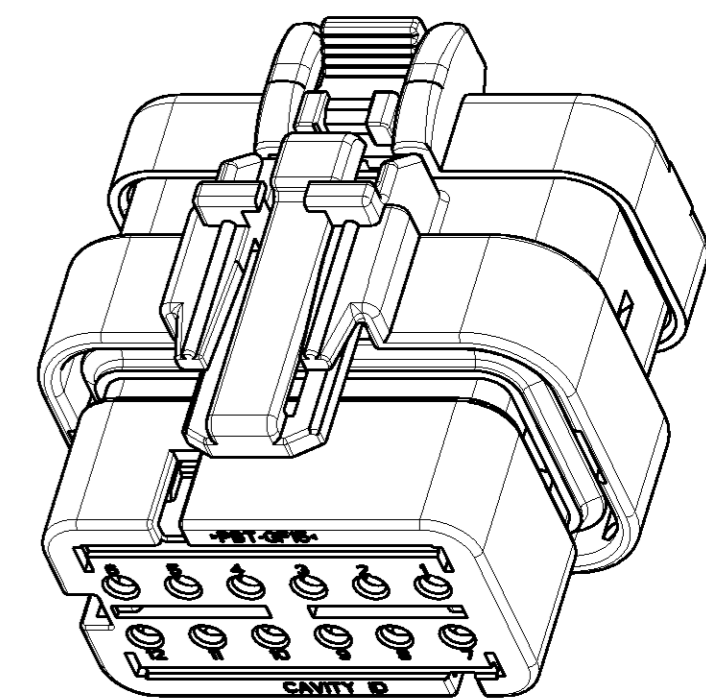
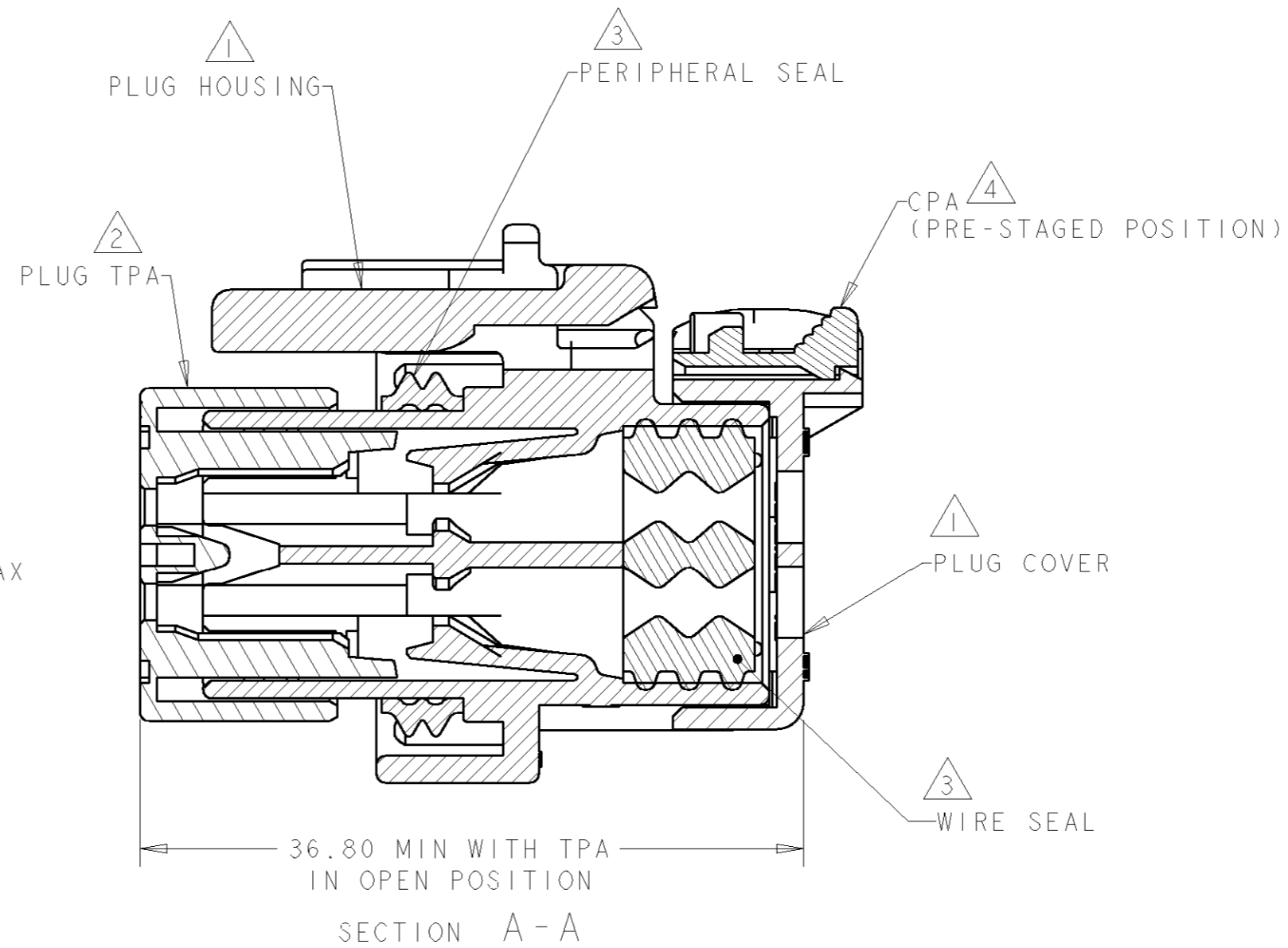


776437-4  
SCALE 2:1

- 1 MATERIAL: 15% GLASS FILLED THERMOPLASTIC  
COLOR: BLACK
- 2 MATERIAL: 15% GLASS FILLED THERMOPLASTIC  
COLOR: (SEE TABLE)
- 3 MATERIAL: SILICONE  
COLOR: YELLOW
- 4 MATERIAL: 15% GLASS FILLED THERMOPLASTIC  
COLOR: RED
- 5. RECOMMENDED WIRE DIAMETER RANGE IS 2.18 TO 3.67mm.



776437-1 SHOWN



SCALE 2:1

|           |             |
|-----------|-------------|
| GREEN     | 776437-4    |
| YELLOW    | 776437-3    |
| GRAY      | 776437-2    |
| RED       | 776437-1    |
| TPA COLOR | PART NUMBER |

|  |  |                               |  |                    |
|--|--|-------------------------------|--|--------------------|
| THIS DRAWING IS A CONTROLLED DOCUMENT FOR TYCO ELECTRONICS CORPORATION<br>IT IS SUBJECT TO CHANGE AND THE CONTROLLING ENGINEERING ORGANIZATION<br>SHOULD BE CONTACTED FOR THE LATEST REVISION. |  | DWN<br>AJ GRAFF 07JUN00       | tyco AMP Incorporated<br>Harrisburg, PA 17105-3608             |                    |
| DIMENSIONS:<br>mm  |  | CHK<br>R. GREINER 03JAN02     | NAME<br>PLUG ASSEMBLY,<br>12 POSITION,<br>DUAL ROW, AMPSEAL 16 |                    |
| TOLERANCES UNLESS OTHERWISE SPECIFIED:<br>0 PLC ±<br>1 PLC ±<br>2 PLC ±<br>3 PLC ±<br>4 PLC ±<br>ANGLES ±<br>FINISH  |  | APVD<br>M. TRULLI 03JAN02     | PRODUCT SPEC<br>-  | RESTRICTED TO<br>- |
| MATERIAL<br>-  |  | APPLICATION SPEC<br>114-13065 | WEIGHT<br>-  | SIZE<br>A2         |
|  |  | CUSTOMER DRAWING              | SCALE 3:1  | SHEET 1 OF 1 REV E |

THIS AMP PROPRIETARY INFORMATION IS CONFIDENTIAL AND IS DISCLOSED TO YOU ON CONDITION THAT NO FURTHER DISCLOSURE IS MADE BY YOU TO ANYONE OTHER THAN AMP PERSONNEL WITHOUT WRITTEN AUTHORIZATION FROM AMP INCORPORATED, HARRISBURG, PA.