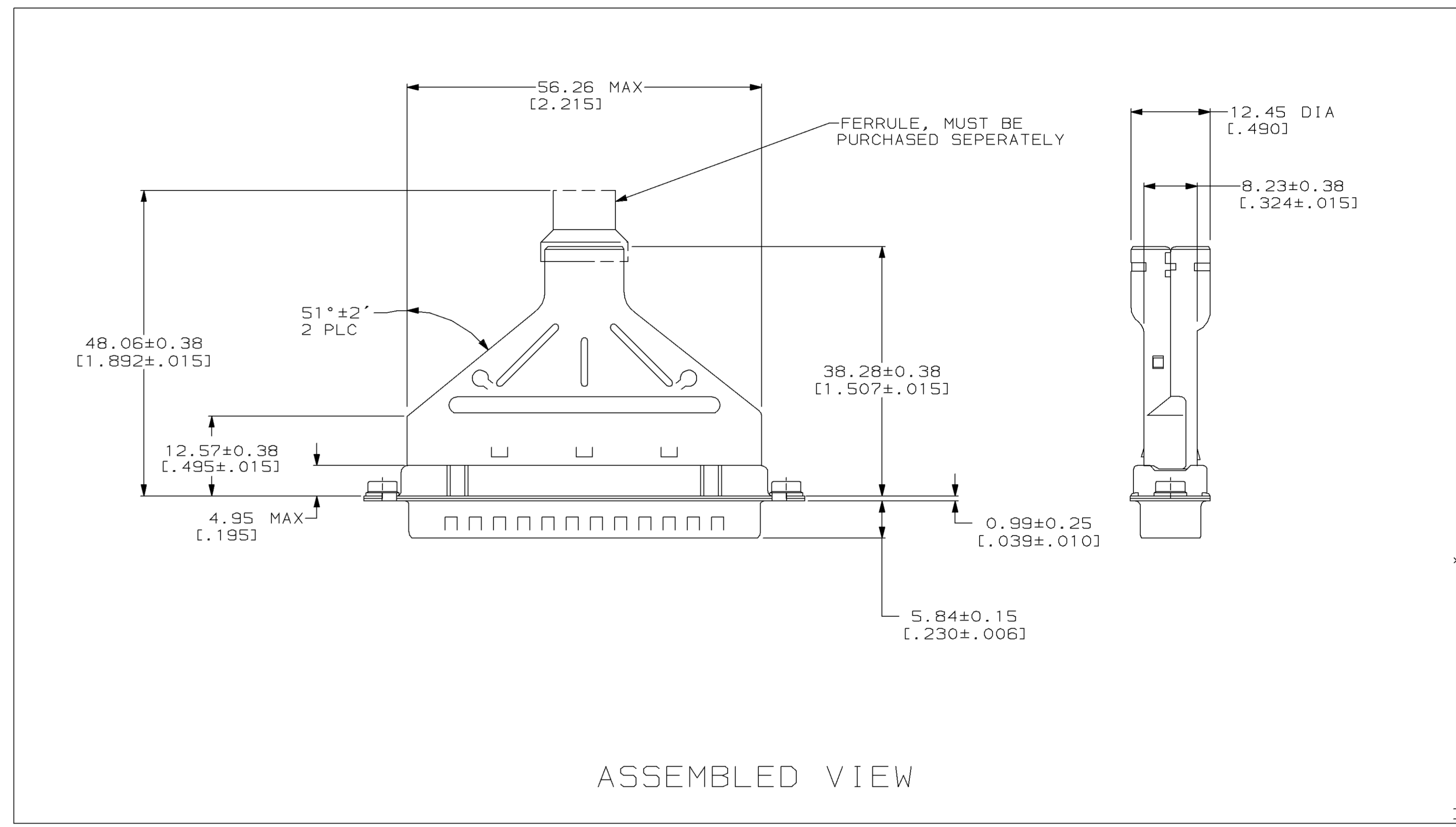
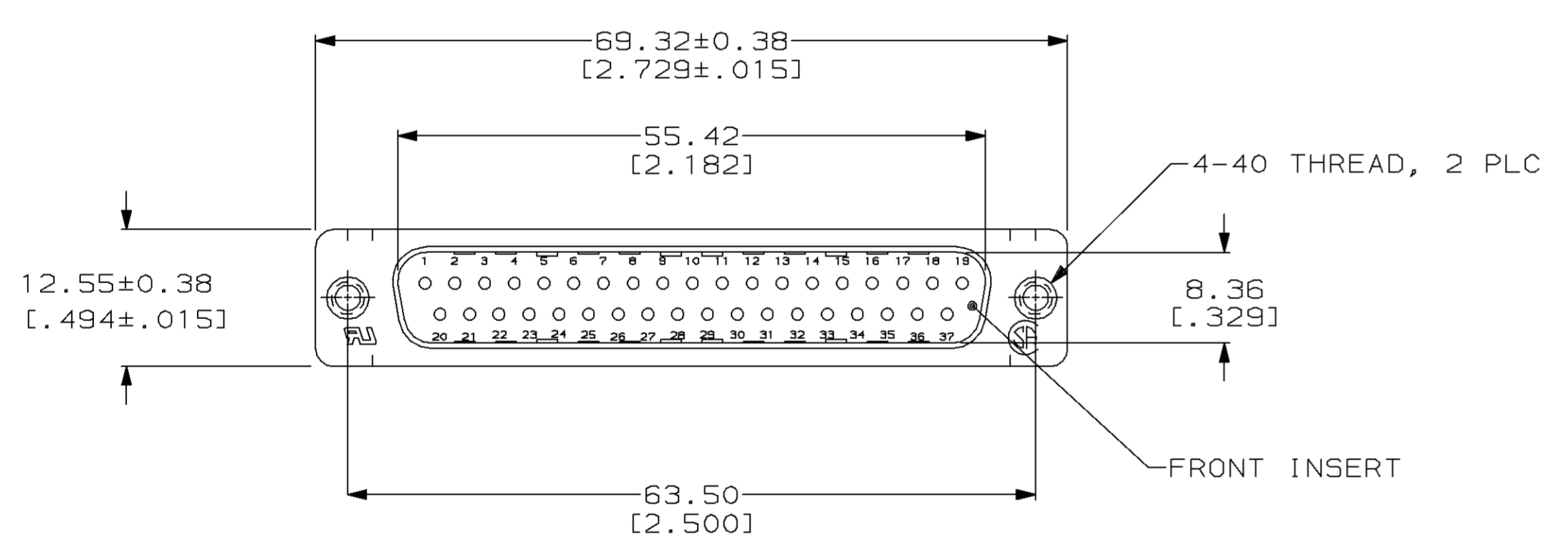
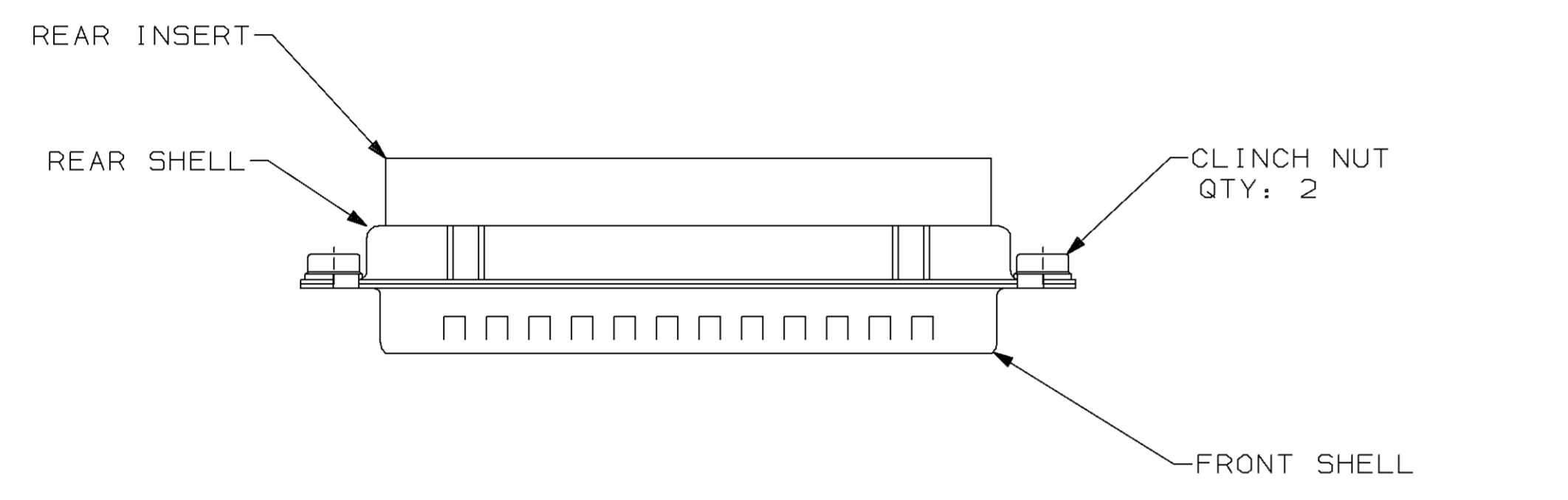
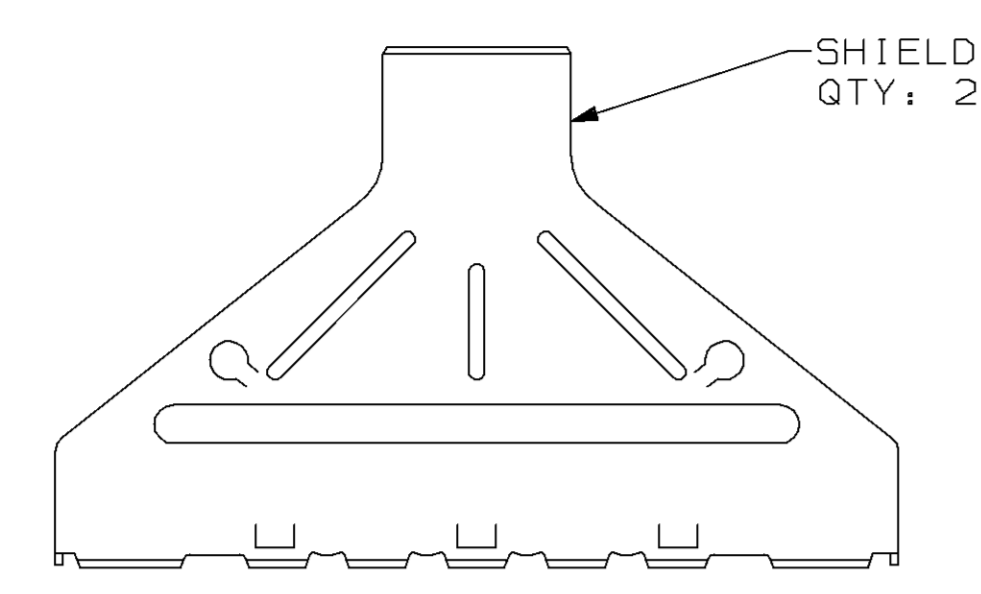


REVISIONS								
LOC	QIST	P	F	ZONE	LTR	DESCRIPTION	DATE	APPD
BD	48					0 RLSE NPR 4847, WAS 93-5788-2-1	6-28-93	-



- 1 CARBON STEEL.
- 2 5.08µm [.000200] MIN TIN OVER 2.54µm [.000100] MIN COPPER.
- 3 NYLON, UL 94V-0 RATED, GLASS FILLED, BLACK.
- 4 ZINC PLATED, YELLOW CHROMATE.

THIS DRAWING IS A CONTROLLED DOCUMENT FOR AMP INCORPORATED. IT IS SUBJECT TO CHANGE AND THE CONTROLLING ENGINEERING ORGANIZATION SHOULD BE CONTACTED FOR THE LATEST REVISION.

DO NOT SCALE PRINT. UNLESS SPECIFIED DIMENSIONS IN mm [INCHES] TOLERANCES ON:		DR 6-28-93 J McCLINTON	AMP Incorporated Harrisburg, PA 17105-3608	
2 PLC DEC ± 0.13 (.005)		CHK 6-28-93 R. STONE		
3 PLC DEC ± -		APPD 6-29-93 S. BRINSER	NAME	
ANGLES ± -		APPD 6-29-93 S. BRINSER	PLUG KIT, UNASSEMBLED, SIZE 4, 37 POSITION, WITH SHIELDING HARDWARE AND CLINCH NUT, HDP-20 AMPLIMATE™	
MATERIAL	INSERTS: 3	PRODUCT SPEC	108-40030	SIZE
SHELLS, SHIELDS & CLINCH NUTS: 1	FINISH	APPLICATION SPEC	114-40007	CAGE CODE
SHELLS & SHIELDS: 2	SHELLS & SHIELDS: 2	WEIGHT	-	DRAWING NO
CLINCH NUTS: 4	CLINCH NUTS: 4	SCALE	4:1	00779
				8786929
				SHEET 1 OF 1

786929-1
PART NO

CUSTOMER DRAWING