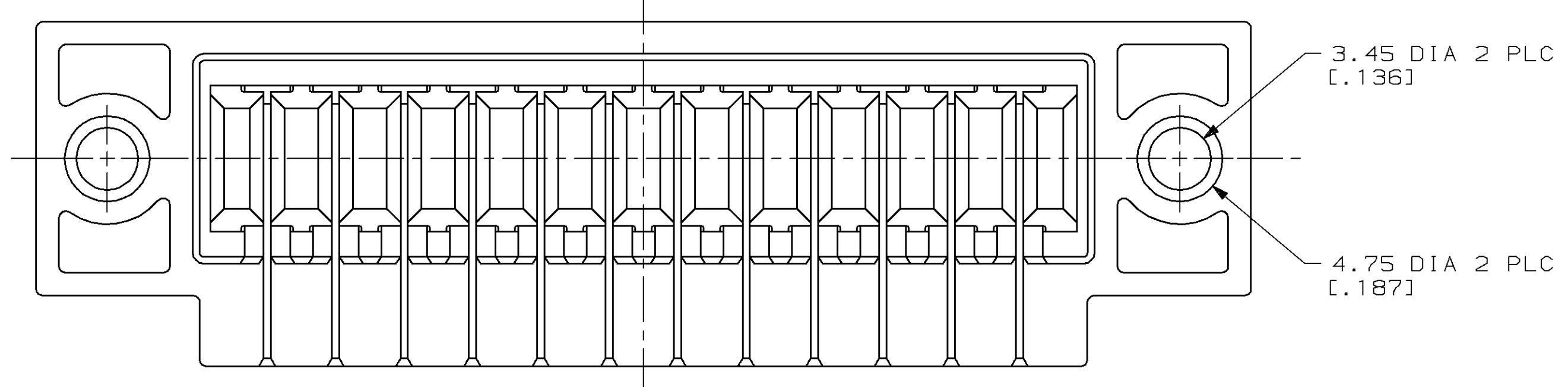
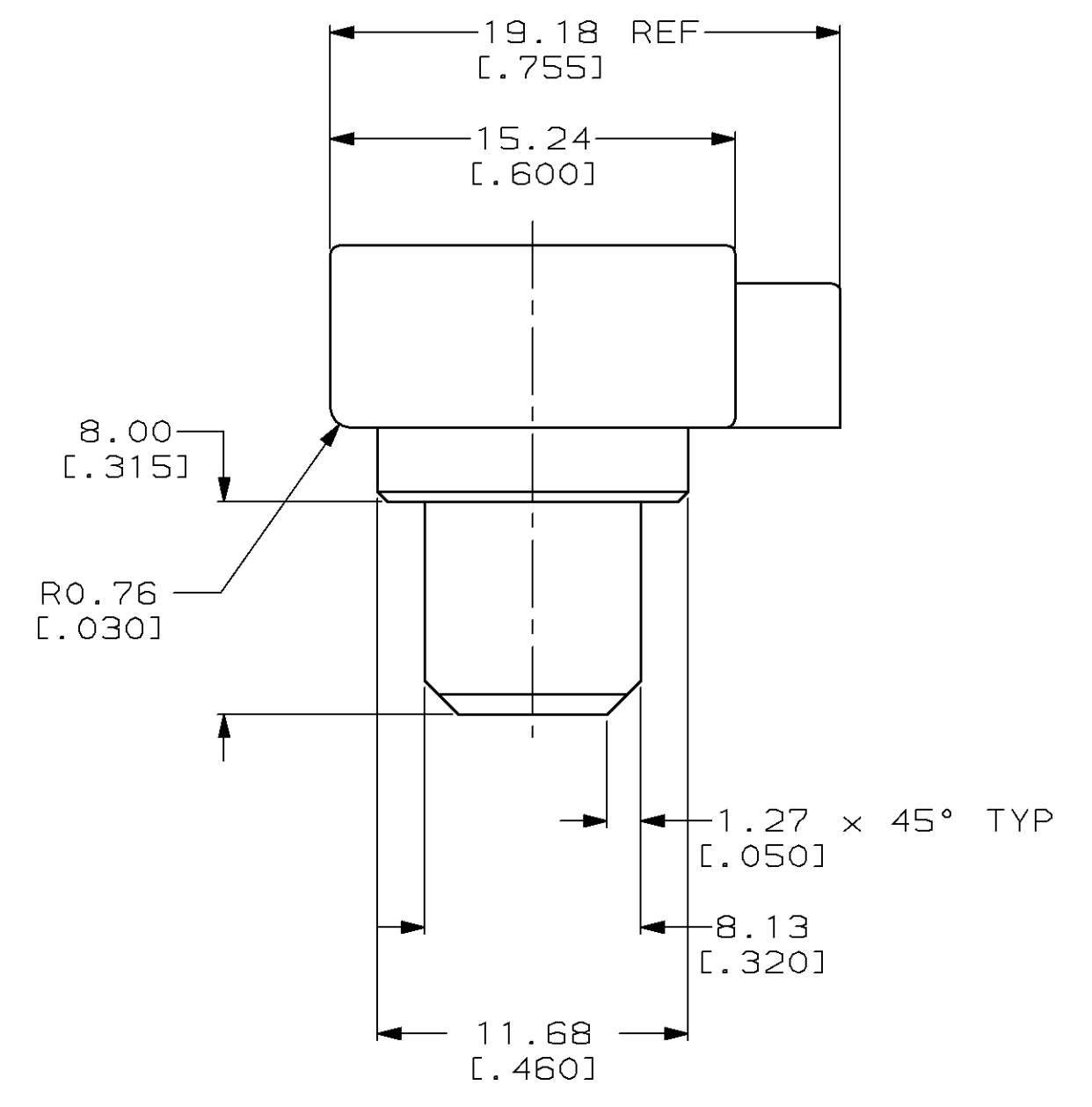
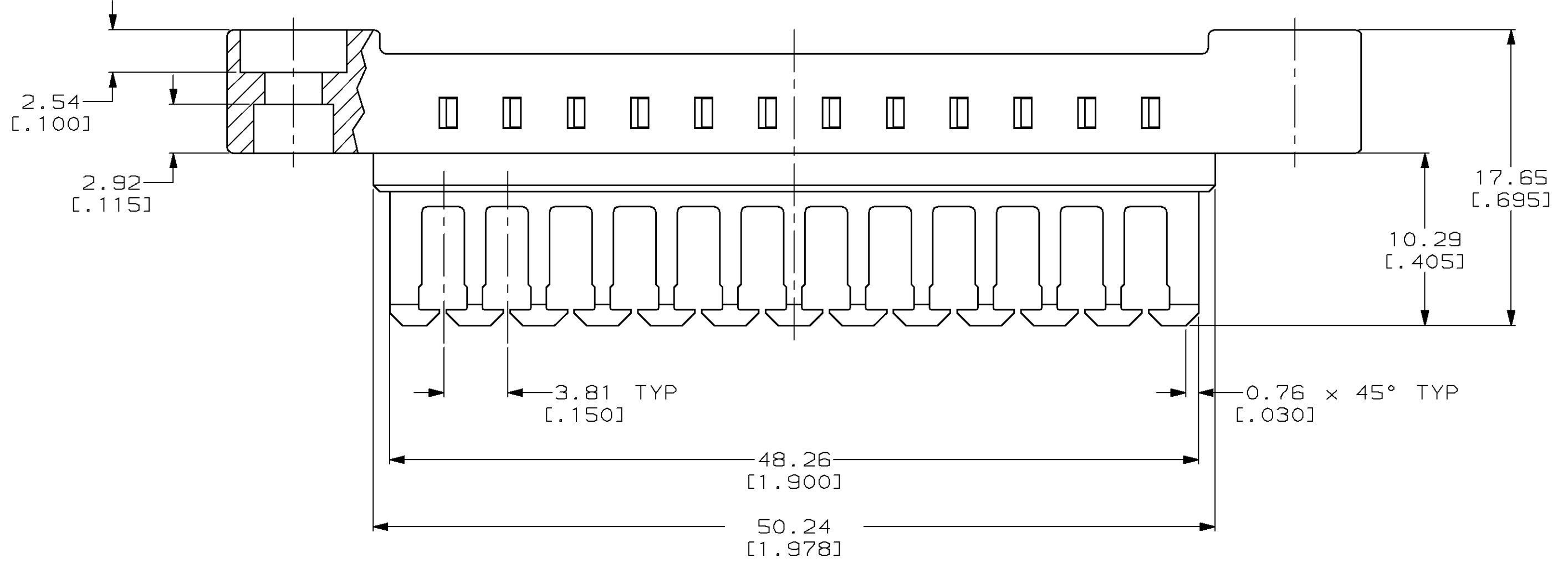
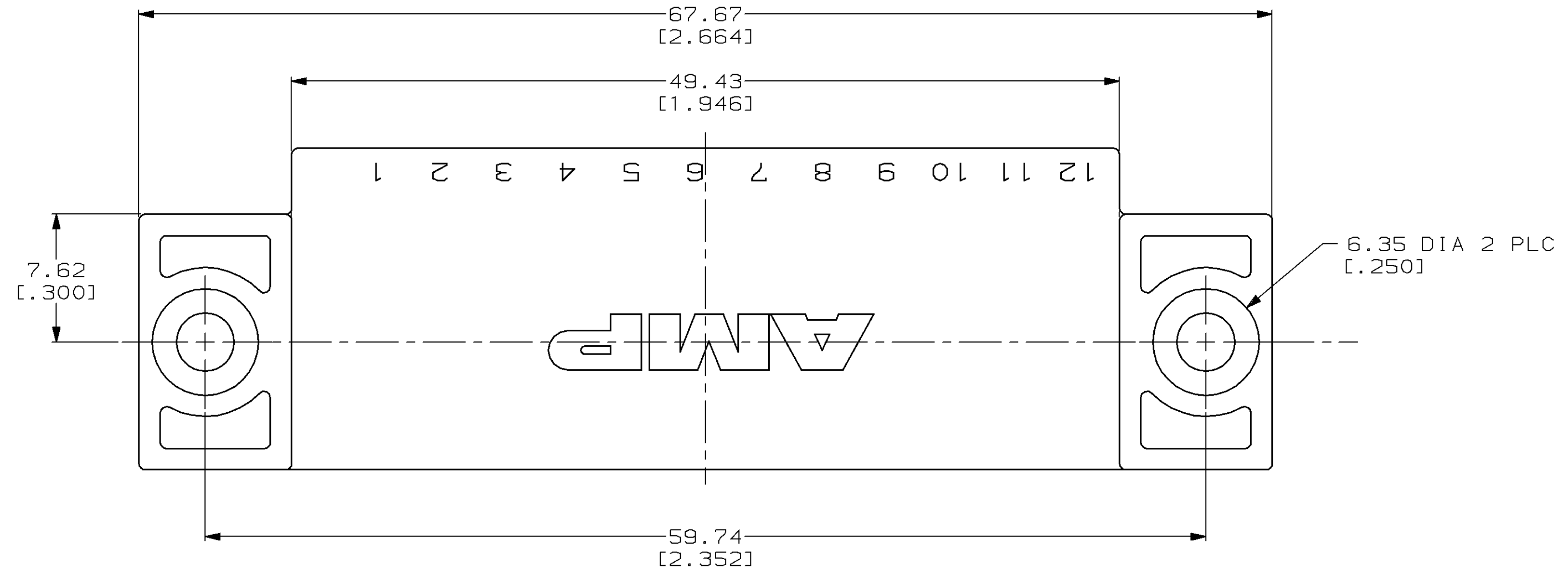


REVISONS		DATE	BY	APPV
0	RLSE PER NPR 5358, WAS 94-2298-17	06/16/95	-	-



787499-1
 PART NUMBER

THIS DRAWING IS UNPUBLISHED. IT IS SUBJECT TO CHANGE AND THE CONTROLLING ENGINEERING REGULATION SHALL BE CONTACTED FOR THE LATEST REVISION.		JUN 10/28/94 M.E. SHIRK 10/28/94 WAYNE DAVIS 06/20/95 L.FIX PRODUCT SPEC APPLICATION SPEC WEIGHT CUSTOMER DRAWING	AMP Incorporated Harrisburg, PA 17105-3608 RECEPTACLE HOUSING, 12 POSITION, BLIND MATE SIZE A1 CAGE CODE 00779 DRAWING NO. C-787499 SCALE 4:1 SHEET 1 OF 1 REV 0
---	--	--	---