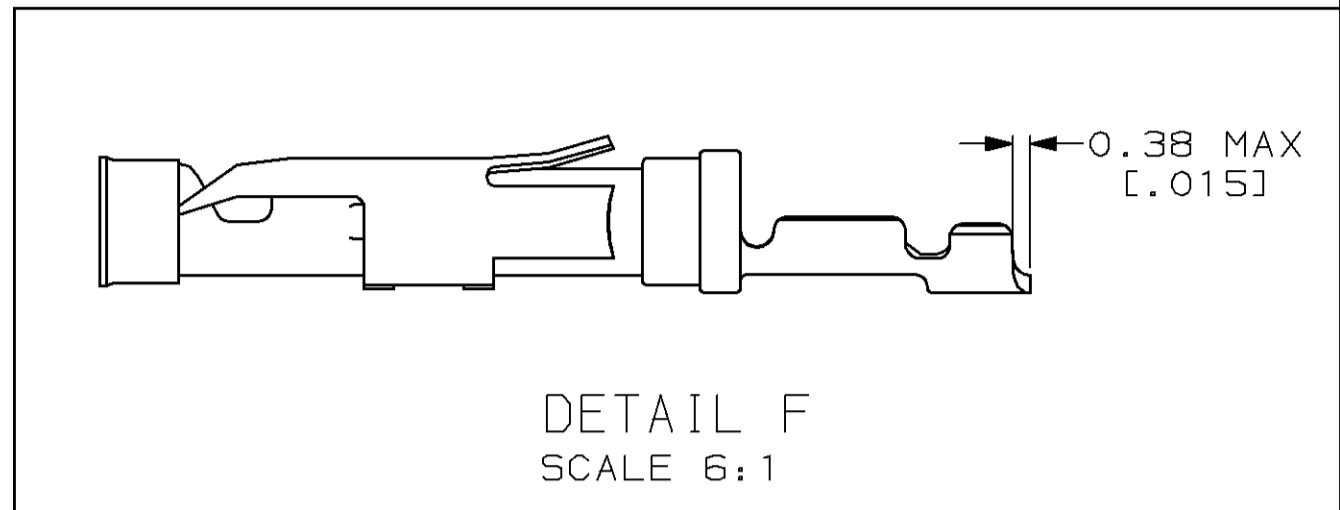
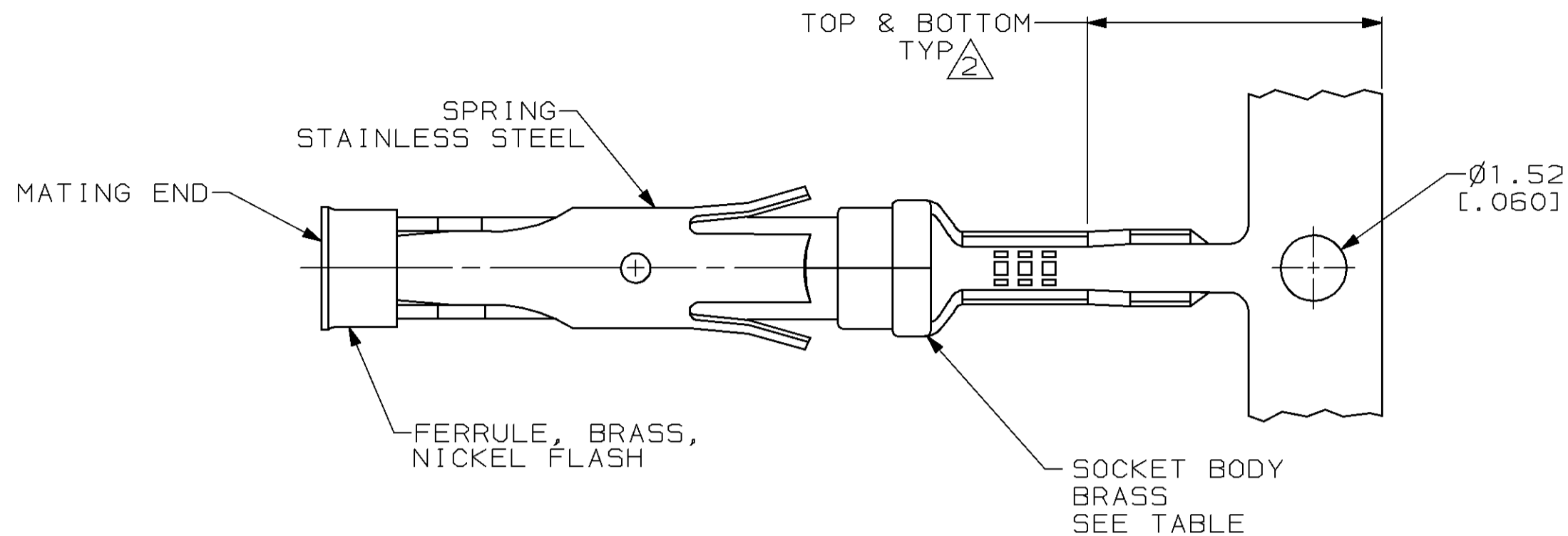
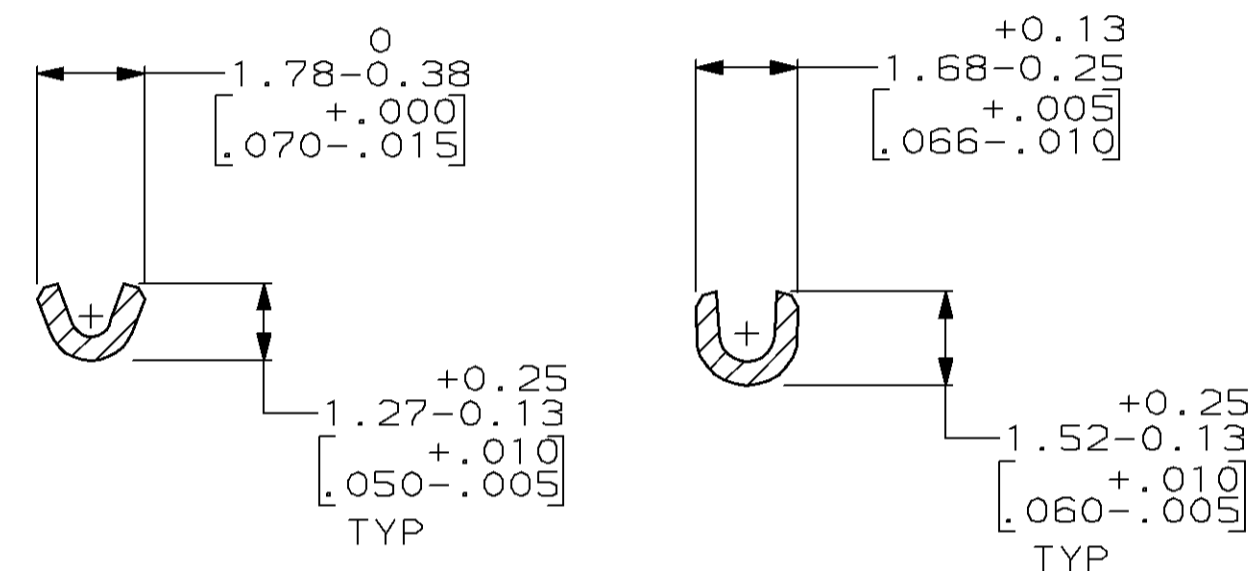
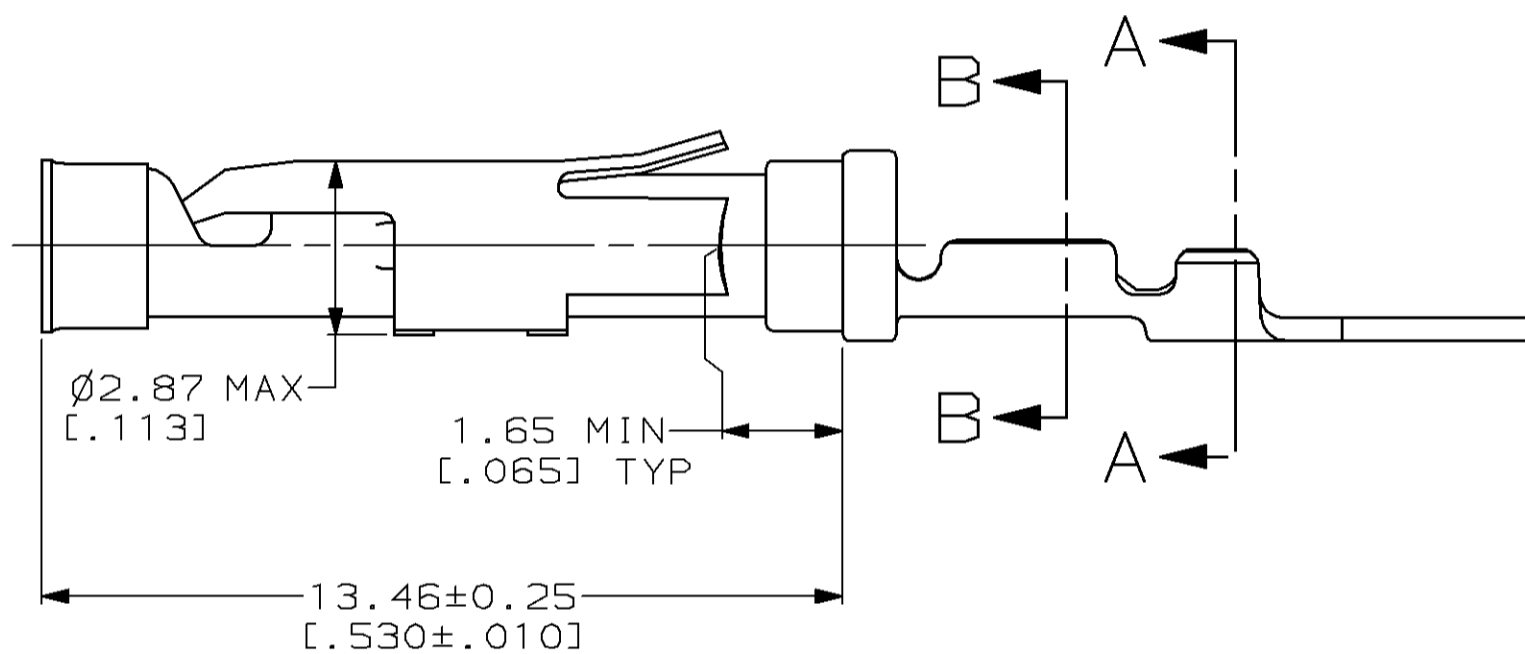
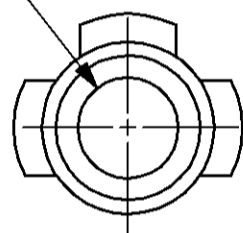


THIS DRAWING IS UNPUBLISHED. RELEASED FOR PUBLICATION
 © COPYRIGHT 19 BY AMP INCORPORATED. ALL RIGHTS RESERVED.

LOC	DIST	REVISIONS			
P	LTR	DESCRIPTION	DATE	DWN	APVD
		0 RLSE PER NPR 19	21 NOV 96	-	-
		A ADDED -2 PER EC 0320-132-97	25 APR 97	CO	GS
		B ADDED -3 PER EC 0320-201-97	26 JUN 97	MB	GS



Ø1.689±0.051
[0.0665±.0020]



- 1 0.76µm [0.000030] MIN GOLD PER MIL-G-45204 ON MATING END FOR A LENGTH OF 5.08 [0.200] MIN WITH GOLD FLASH ON THE REMAINDER OVER 0.76µm [0.000030] MIN NICKEL PER QQ-N-290.
- 2 GOLD PLATING NEED NOT APPEAR IN THIS AREA .
- 3. REELED FOR MINI-APPLICATOR.
- 4. WIRE RANGE 28-30 AWG. INSULATION RANGE 3.81 [0.015]-7.62 [0.030] DIA.
- 5 0.38µm [0.000015] MIN GOLD PER MIL-G-45204 ON MATING END FOR A LENGTH OF 5.08 [0.200] MIN WITH GOLD FLASH ON THE REMAINDER OVER 0.76µm [0.000030] MIN NICKEL PER QQ-N-290.

PER DETAIL F	1	788088-3
-	5	788088-2
-	1	788088-1
LOOSE PIECE	FINISH SOCKET BODY	PART NUMBER

THIS DRAWING IS A CONTROLLED DOCUMENT.

DIMENSIONS: mm (INCHES)	TOLERANCES UNLESS OTHERWISE SPECIFIED:	DWN: C. OBERMAN 21 NOV 96	AMP Incorporated Harrisburg, PA 17105-3608
	0 PLC ±-	CHK: R. STONE 22 NOV 96	AMP SOCKET ASSEMBLY, .062, TYPE III+
	1 PLC ±-	APVD: G. STEINHAUER 22 NOV 96	
	2 PLC ±0.13 [0.005]	PRODUCT SPEC: 108-10042	
	3 PLC ±-	APPLICATION SPEC: 114-10004	
MATERIAL: SEE CALLOUTS	FINISH: SEE CALLOUTS	WEIGHT: -	SIZE: A2 CAGE CODE: 00779 DRAWING NO: C=788088
CUSTOMER DRAWING			SCALE: 8:1 SHEET: 1 OF 1 REV: B

788088