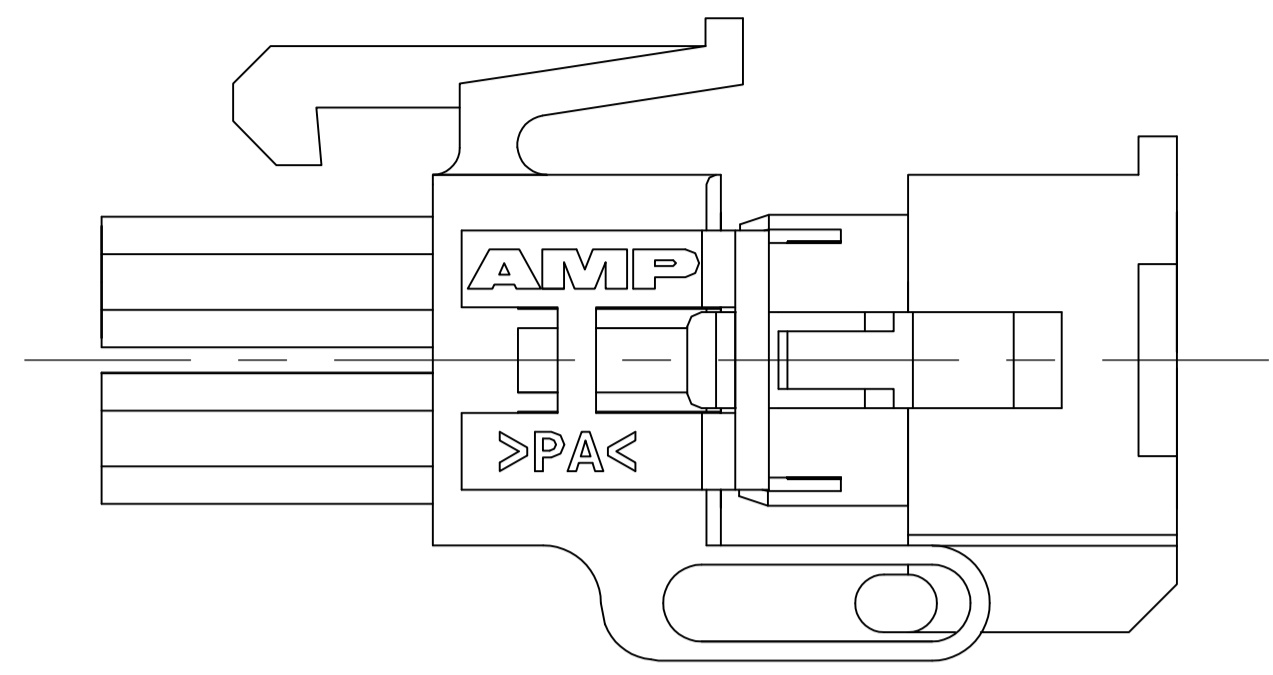
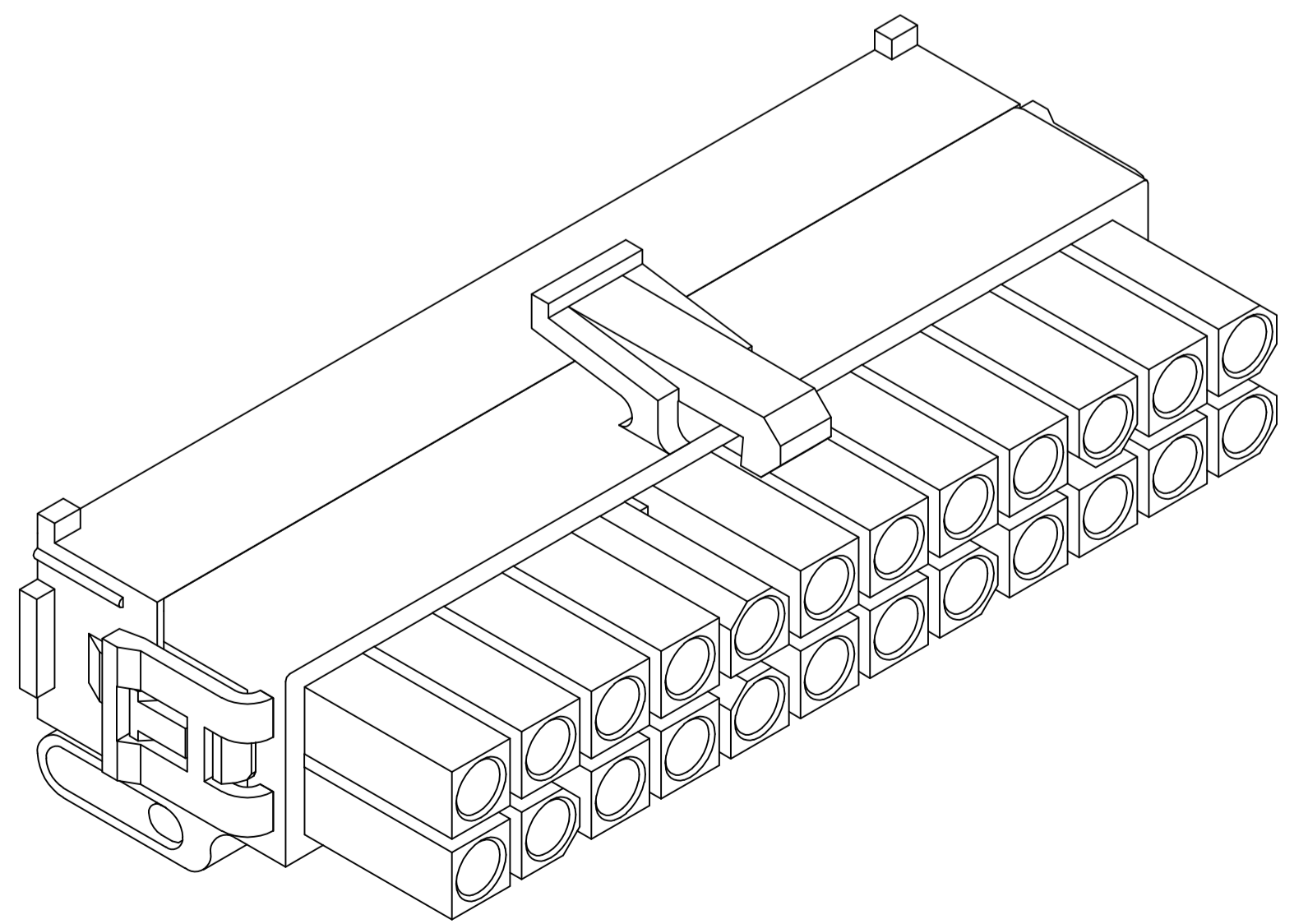
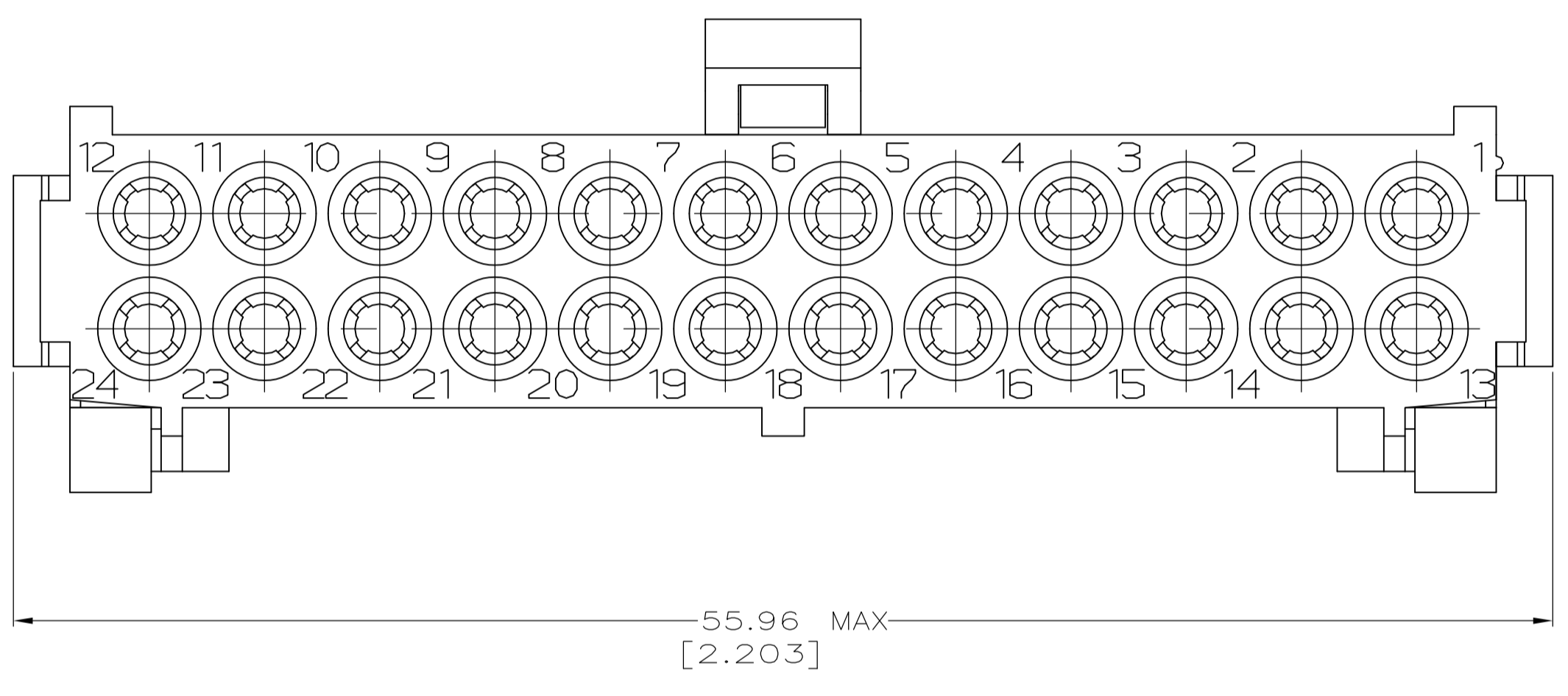
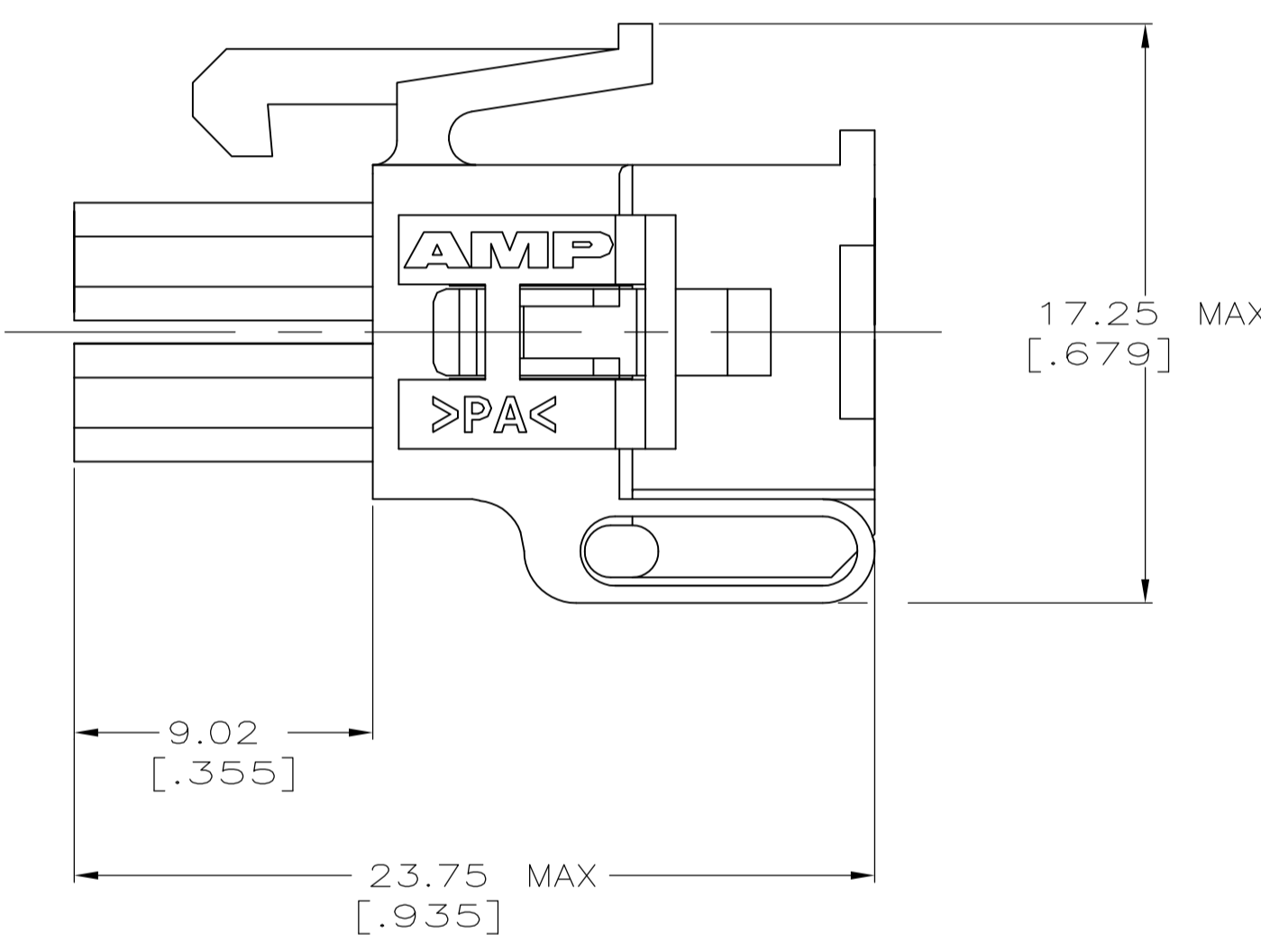
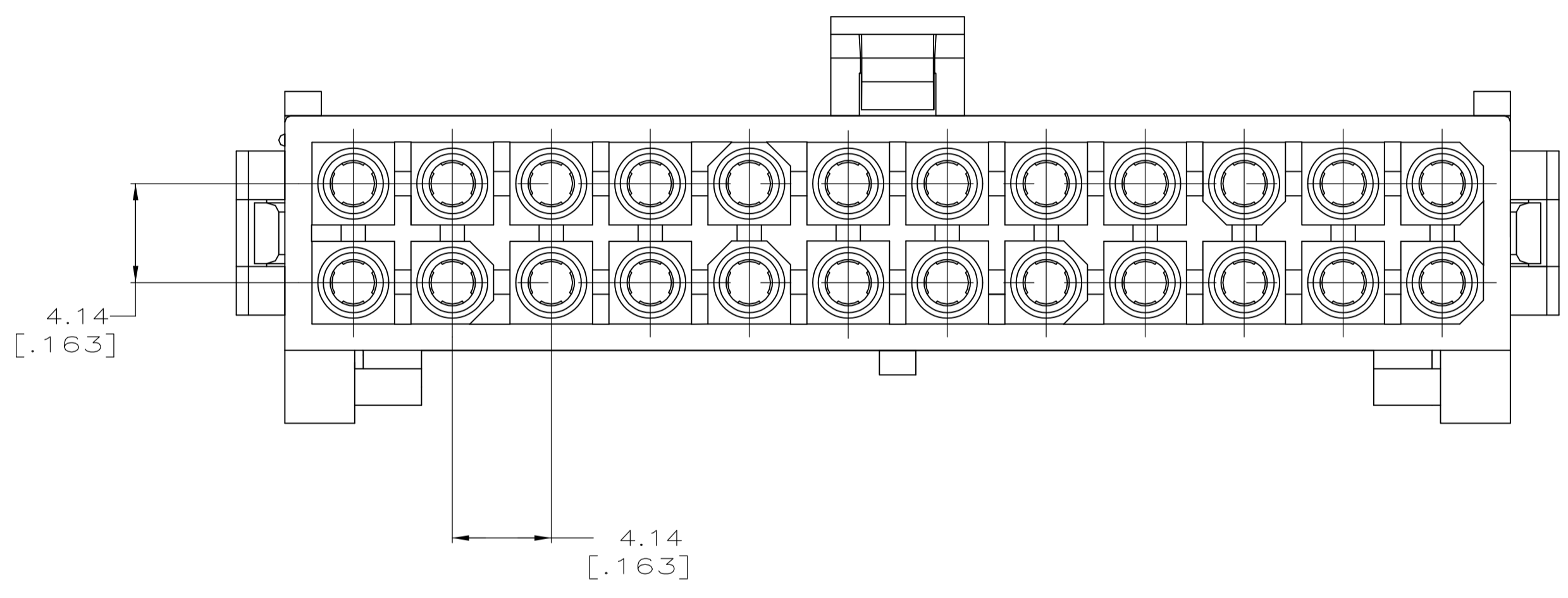


LOC		DIST		REVISIONS			
P	LTR	DESCRIPTION	DATE	DN	APVD		
C		REVISED PER ECO-09-018187	10AUG09	HMR	MS		



PRE-STAGED CONDITION

1 DIMENSIONS IN BRACKETS ARE IN INCHES.



3-DIMENSIONAL MODEL
NTS

METRIC

794267-1
PART NUMBER

THIS DRAWING IS A CONTROLLED DOCUMENT.		DIN K. WHITAKER 5-20-97	Tyco Electronics Corporation Harrisburg, PA 17105-3608
DIMENSIONS: mm [INCHES]		CHK R. SWING 5-20-97	
TOLERANCES UNLESS OTHERWISE SPECIFIED:		APVD R. ORSTAD 5-20-97	NAME PLUG, 24 CIRCUIT, MINI UNIVERSAL MATE-N-LOK
0. PLC ± -	1. PLC ± -	PRODUCT SPEC	SIZE A1
2. PLC ± -	3. PLC ± 0.13 [.005]	APPLICATION SPEC	CAGE CODE 00779
4. PLC ± -	ANGLES ± -	WEIGHT	DRAWING NO. 794267
MATERIAL NYLON,	FINISH	CUSTOMER DRAWING	RESTRICTED TO
		SCALE 5:1	SHEET 1 of 1
		REV C	