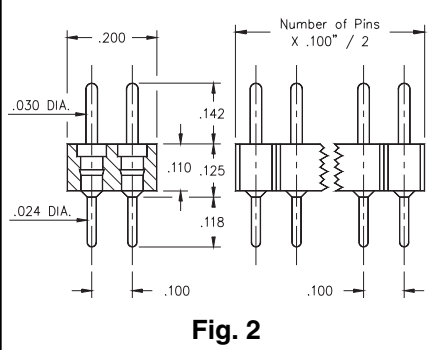
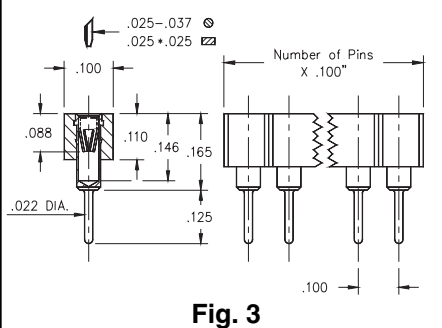


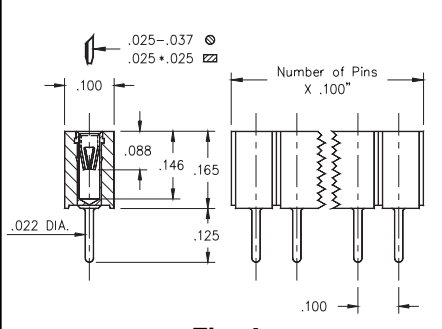
**Fig. 1**



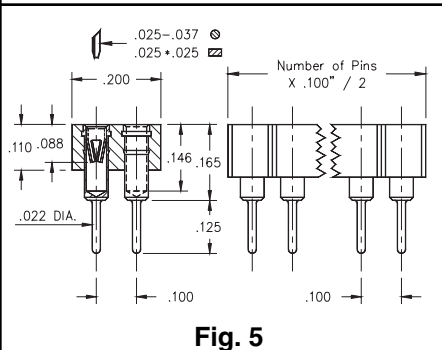
**Fig. 2**



**Fig. 3**

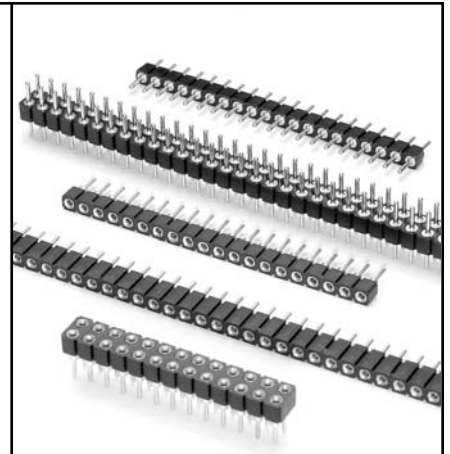


**Fig. 4**



**Fig. 5**

- Series 800 and 802 single and double row pin headers use MM #5016 pins. See page 173 for details.
- Series 801 and 803 single and double row sockets use MM #1303 pins. See page 148 for details.
- Series 801 and 803 receptacles use Hi-Rel, 6-finger BeCu #47 contacts rated at 4.5 amps. Receptacles accept .030" diameter and .025" square pins. See page 211 for details.
- Insulators are high temp. thermoplastic.



**Ordering Information**

<b>Fig. 1</b>	<b>Single Row Low Profile Pin Header</b>	800-XX-0 __ -10-002000
	<b>Specify # of pins</b>	01-64
<b>Fig. 2</b>	<b>Double Row Low Profile Pin Header</b>	802-XX-0 __ -10-002000
	<b>Specify # of pins</b>	02-64

**RoHS 2002/95/EC** **XX= Plating Code See Below** **For RoHS compliance select  $\diamond$  plating code.**

SPECIFY PLATING CODE XX=	<b>10</b> $\diamond$	<b>90</b>	<b>40</b> $\diamond$	
Pin Plating	10 $\mu$ " Au	200 $\mu$ " Sn/Pb	200 $\mu$ " Sn	

<b>Fig. 3</b>	<b>Single Row Low Profile Socket (short insulator)</b>	801-XX-0 __ -10-002000
	<b>Specify # of pins</b>	01-64
<b>Fig. 4</b>	<b>Single Row Low Profile Socket (long insulator)</b>	801-XX-0 __ -10-012000
	<b>Specify # of pins</b>	01-36
<b>Fig. 5</b>	<b>Double Row Low Profile Socket</b>	803-XX-0 __ -10-002000
	<b>Specify # of pins</b>	02-72

**RoHS 2002/95/EC** **XX= Plating Code See Below** **For RoHS compliance select  $\diamond$  plating code.**

SPECIFY PLATING CODE XX=	<b>13</b> $\diamond$	<b>93</b>	<b>99</b>	<b>43</b> $\diamond$	<b>44</b> $\diamond$
Sleeve (Pin)	10 $\mu$ " Au	200 $\mu$ " Sn/Pb	200 $\mu$ " Sn/Pb	200 $\mu$ " Sn	200 $\mu$ " Sn
Contact (Clip)	30 $\mu$ " Au	30 $\mu$ " Au	200 $\mu$ " Sn/Pb	30 $\mu$ " Au	200 $\mu$ " Sn