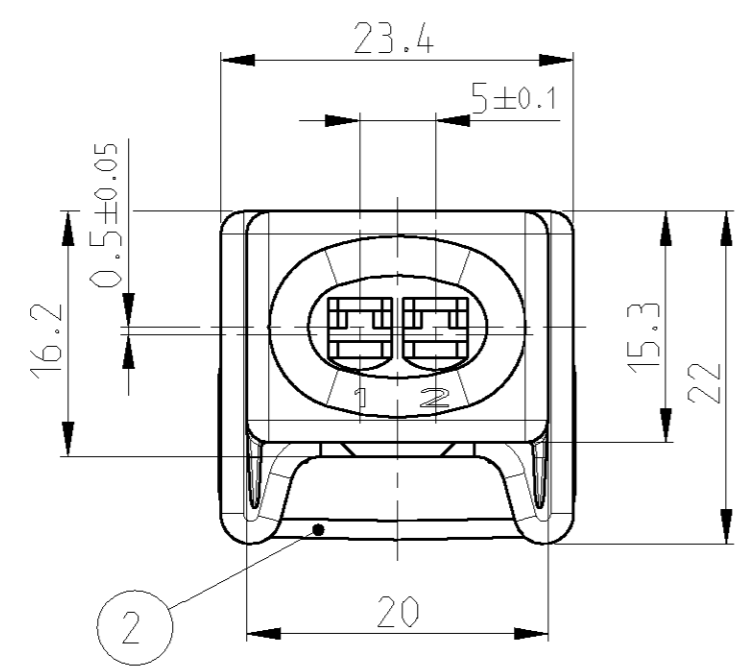
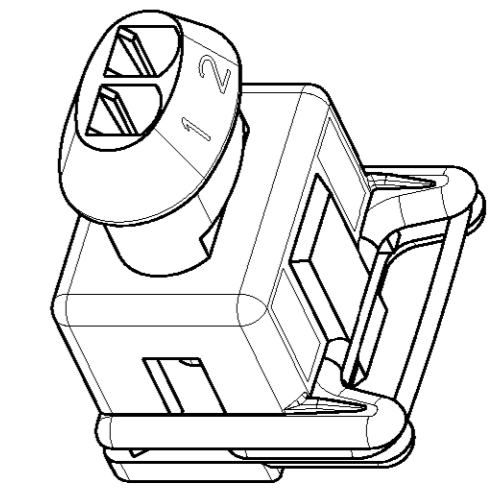
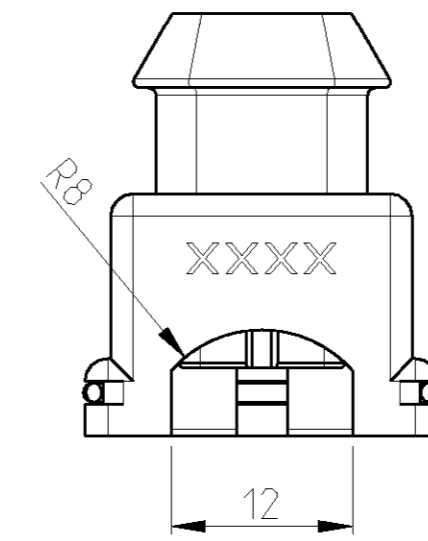
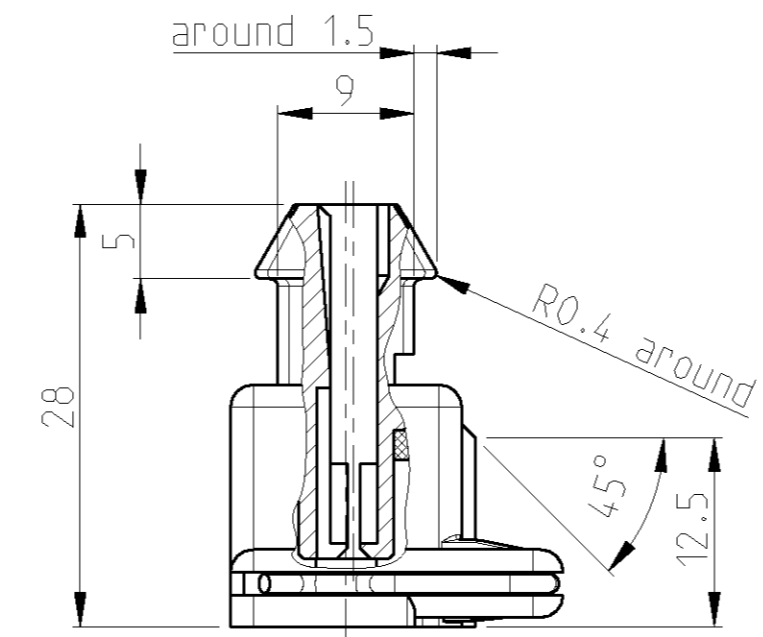
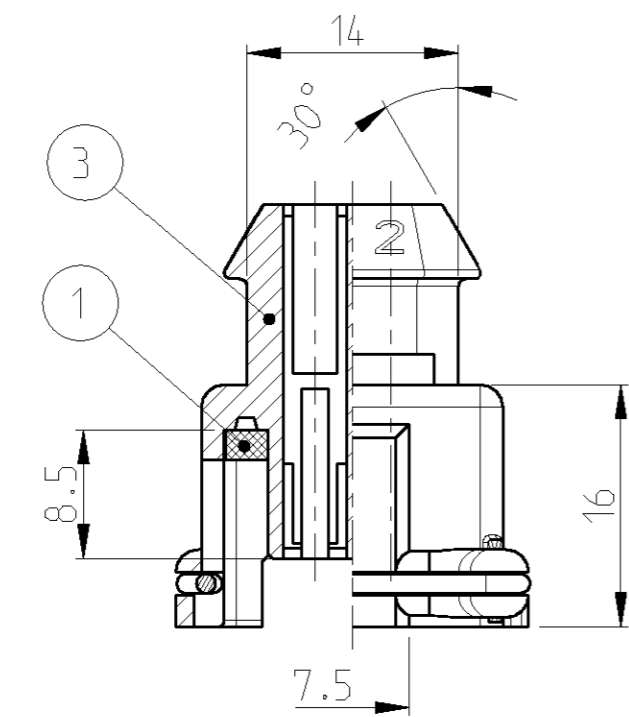
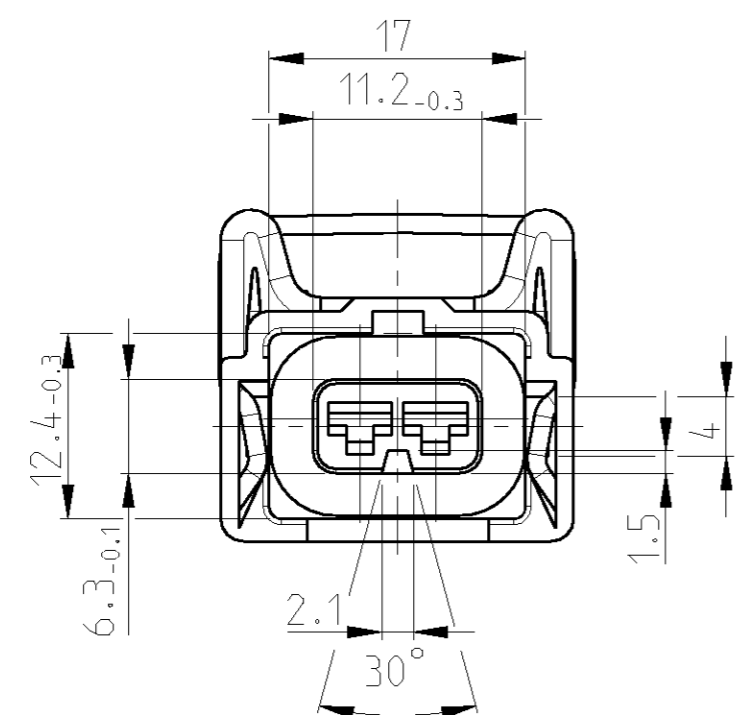


THIS DRAWING IS UNPUBLISHED. RELEASED FOR PUBLICATION 2006  
 © COPYRIGHT 2006 BY TYCO ELECTRONICS CORPORATION. ALL RIGHTS RESERVED.

LOC	DIST	REVISIONS					
		P	LTR	DESCRIPTION	DATE	DWN	APVD
A1	-	1		Benennung geändert	13DEC1984	-	-
		2		Einzelteil-Nummer entfernt	02APR1987	-	-
		3		-1 Farbe war grauweiß	04AUG1989	-	Keil
		A3		NEW CUSTOMER DRAWING CREATED	22AUG2006	Haas	Stre.



827 551-8	827 551-7	827 551-6	827 551-5	827 551-4	827 551-3	827 551-2	827 551-1	PART-NO.	DESCRIPTION	ITEM NO.	MATERIAL	COLOR
1								927 374-8		3		YELLOW
	1							927 374-7		3		RED
		1						927 374-6		3		GREEN
			1					927 374-5		3		BLUE
				1				927 374-4		3		BROWN
					1			927 374-3		3		BLACK
						1		927 374-2		3		GREY
							1	927 374-1		3		NATURAL
	1	1	1	1	1	1	1	827 547-1	SPRING	2	DIN 2076	
	1	1	1	1	1	1	1	825 383-1	SEALING	1	NEOPRENE	

THIS DRAWING IS A CONTROLLED DOCUMENT FOR TYCO ELECTRONICS CORPORATION IT IS SUBJECT TO CHANGE AND THE CONTROLLING ENGINEERING ORGANIZATION SHOULD BE CONTACTED FOR THE LATEST REVISION.

DWN: Hoschek 12JUL1983  
 CHK: Ryll 09AUG1983  
 APVD: Bleicher, M. 25AUG2006

tyco Electronics tyco Electronics AMP GmbH  
 64625 Bensheim (Germany)

NAME: 2 POS. HOUSING FOR JUNIOR-TIMER CONTACT  
 2 pol. Gehäuse für Junior-Timer Kontakt

SIZE: A2 CAGE CODE: 00779 DRAWING NO: 827551 RESTRICTED TO: -

MATERIAL: - DIMENSIONS: mm TOLERANCES UNLESS OTHERWISE SPECIFIED: ±0.3mm FINISH: - ANGLES: ±2.5° WEIGHT: - CUSTOMER DRAWING SCALE: 2:1 SHEET: 1 OF 1 REV: A3